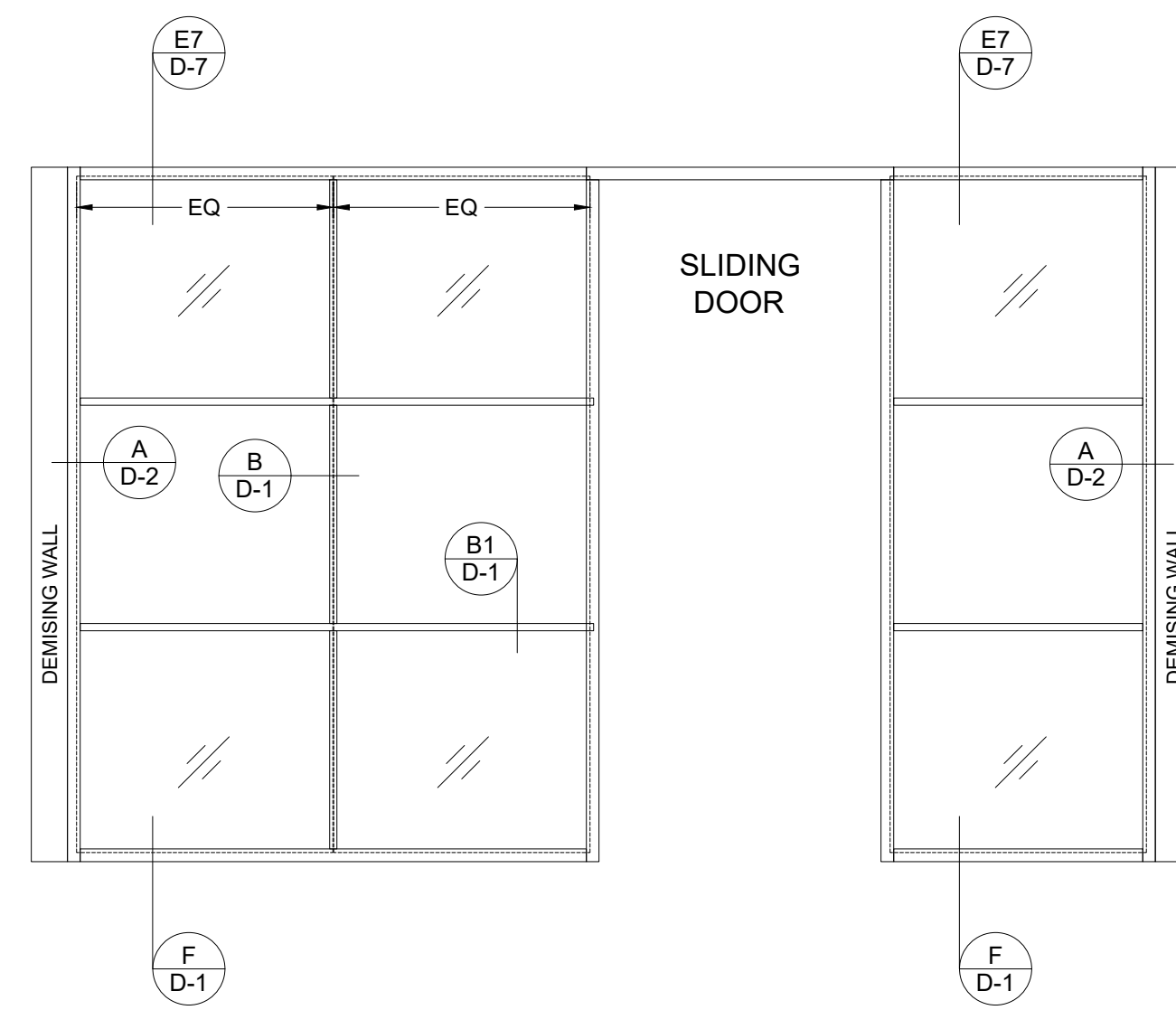
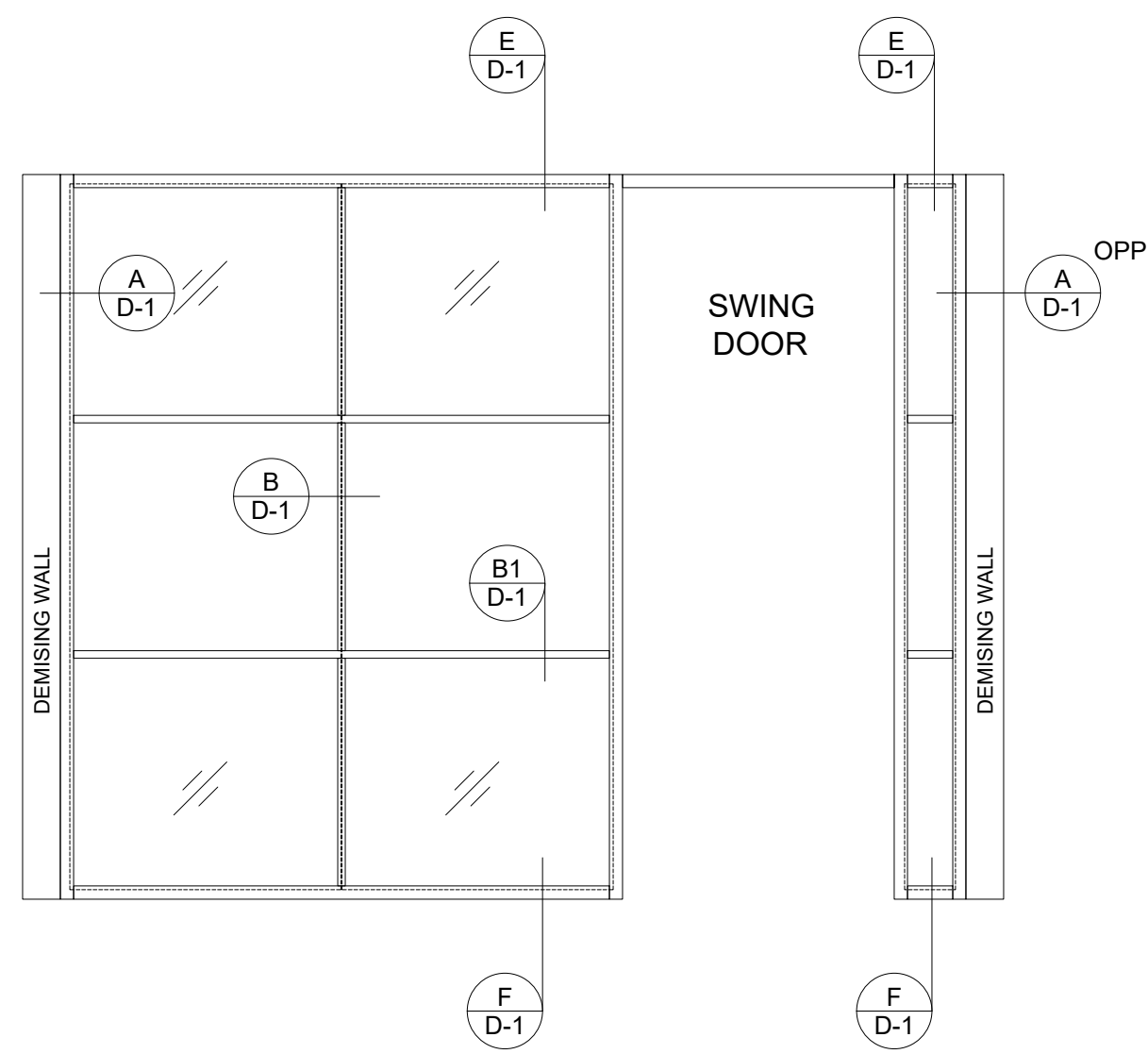


A ELEVATION @ FRAMED SWING DOOR
SCALE AS NOTED - 1/2" TEMP GLASS - LADDER PULL

B ELEVATION @ FRAMED SLIDING DOOR
SCALE AS NOTED - 1/2" TEMP GLASS - LADDER PULL

C ELEVATION @ FRAMED BARN SLIDING DOOR
SCALE AS NOTED - 1/2" TEMP GLASS - LADDER PULL



D ELEVATION @ SWING DOOR
SCALE AS NOTED - 1/2" TEMP GLASS

E ELEVATION @ SLIDING DOOR
SCALE AS NOTED - 1/2" TEMP GLASS

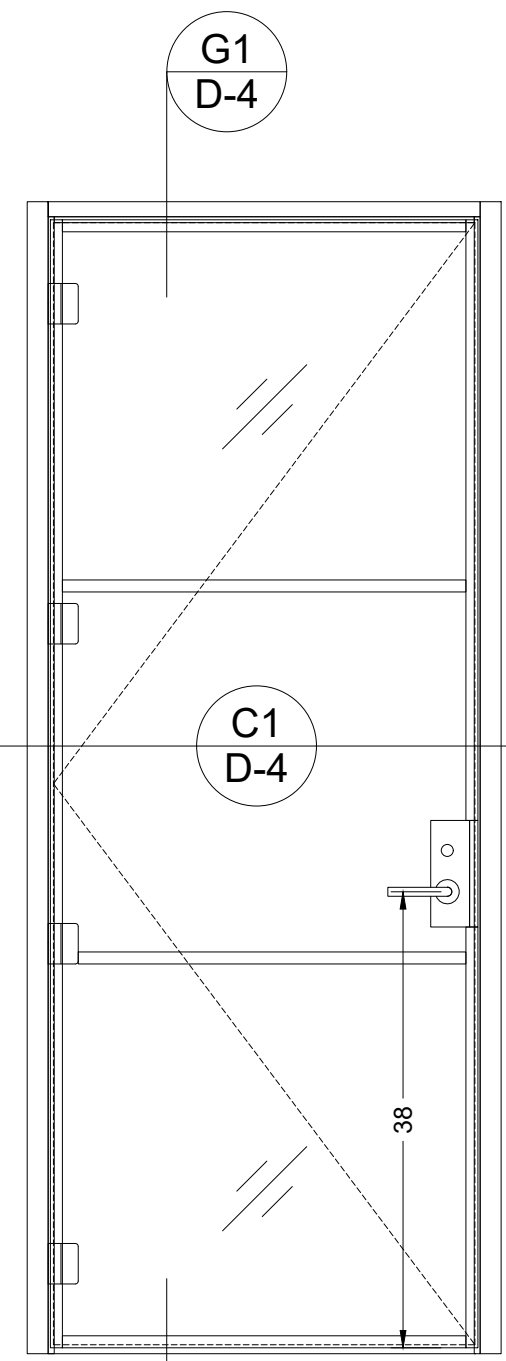
- NOTES:
- ALL DIMENSIONS ARE TO BE VERIFIED IN FIELD;
 - HEIGHTS MAY VARY ALONG FLOOR BASED ON FIELD CONDITION.
 - G.C. TO PROVIDE BLOCKING AT ALL THE WALL/HEADER WHERE POST/TRACK EXISTS;
 - GLASS TYPES:
THICKNESS: 3/8", 1/2", 5/8"
CLEAR TEMPERED
LOW IRON TEMPERED
CLEAR LAMINATED
ACOUSTIC LAMINATED
LOW IRON LAMINATED
 - FINISHES:
CLEAR ANODIZED
BLACK ANODIZED
POWDER COAT
BRUSHED SATIN
MEDIUM BRONZE
 - STD LEAD TIME: 3-5 WEEKS
 - CONTACT: info@tagwallny.com
estimating@tagwallny.com

TAGWALL

321 W. 44TH ST, SUITE 200 NY, NY 10036
212.354.9255 tagwallny.com

PROJECT:
SASH SYSTEM

DATE: 12/10/2020 SCALE: 1/2" = 1'-0" DRAWING No. **E-1**
DRAWING TITLE:
ELEVATIONS

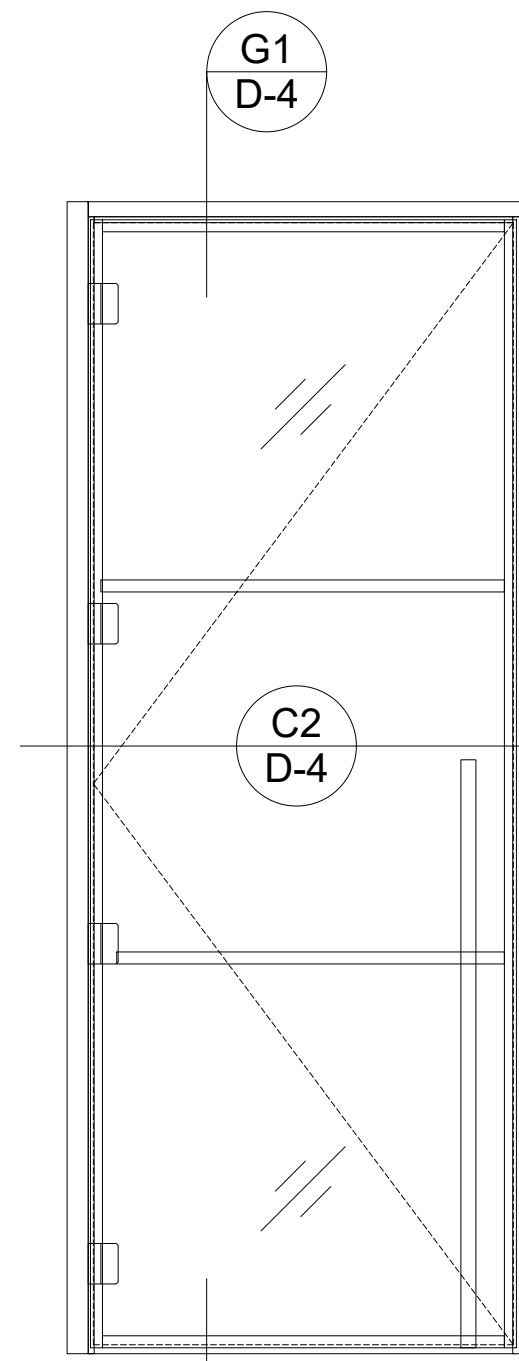


G1
D-4

C1
D-4

H1
D-4

MIRAGE FRAMED
1/2" GLASS DOOR
BUTT HINGES
LEVER SET

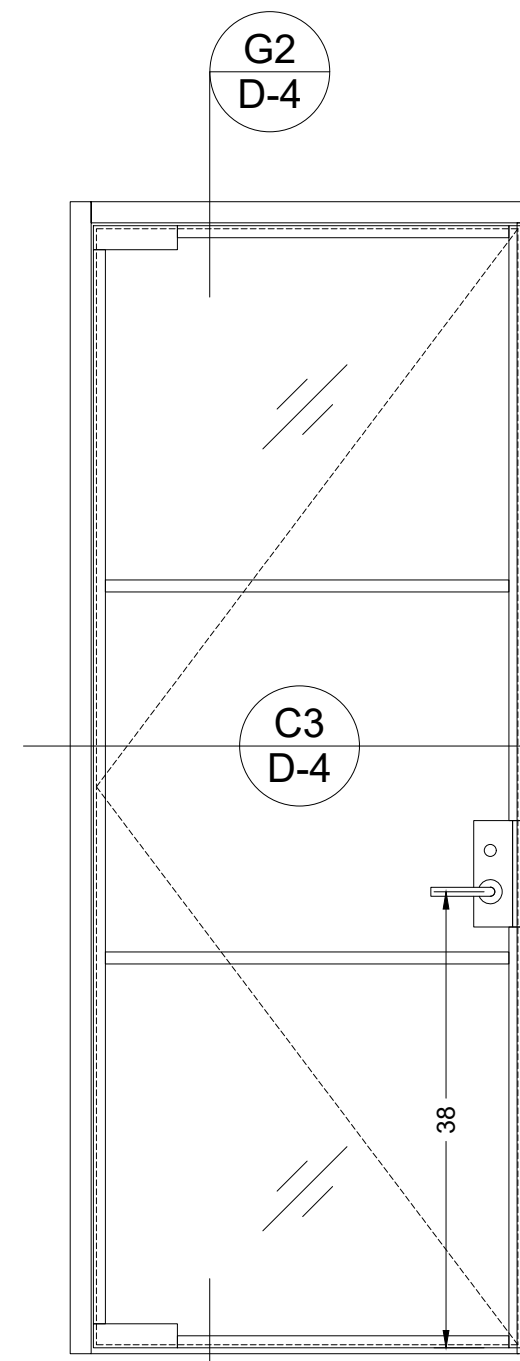


G1
D-4

C2
D-4

H1
D-4

MIRAGE FRAMED
1/2" GLASS DOOR
BUTT HINGES
LADDER PULL

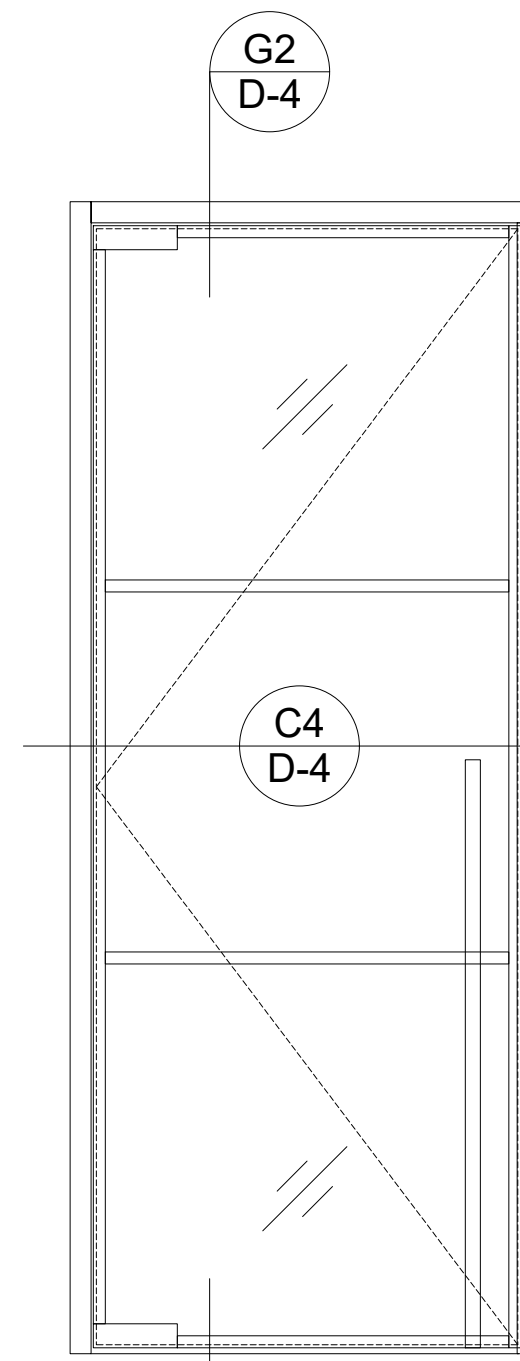


G2
D-4

C3
D-4

H2
D-4

MIRAGE FRAMED
1/2" GLASS DOOR
TOP/BOTTOM PATCH FITTINGS
LEVER SET

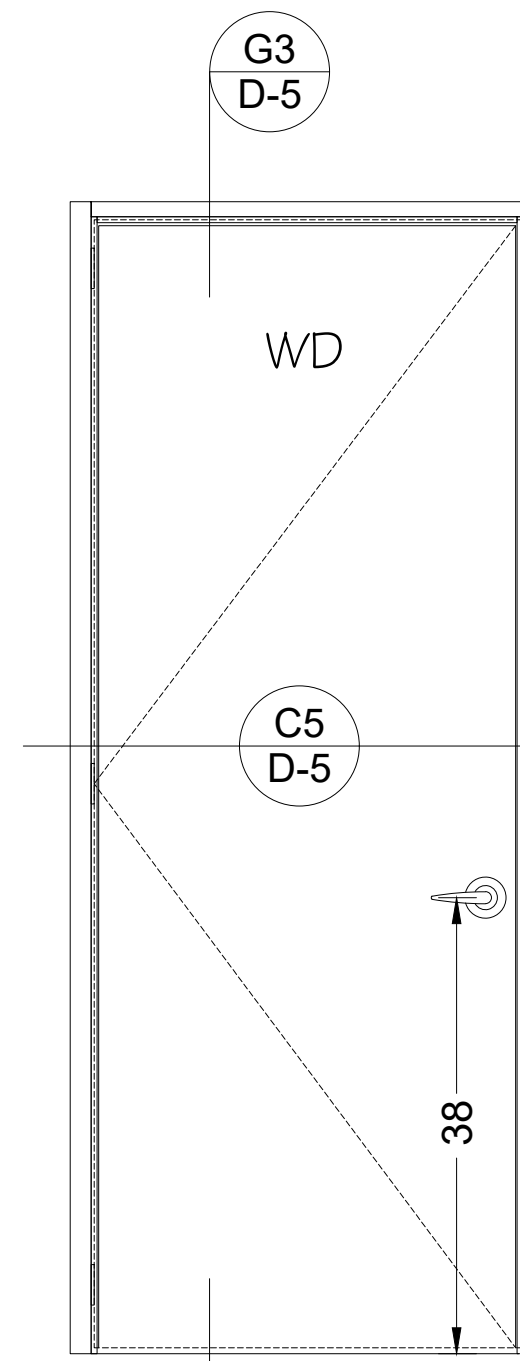


G2
D-4

C4
D-4

H2
D-4

MIRAGE FRAMED
1/2" GLASS DOOR
TOP/BOTTOM PATCH FITTINGS
LADDER PULL

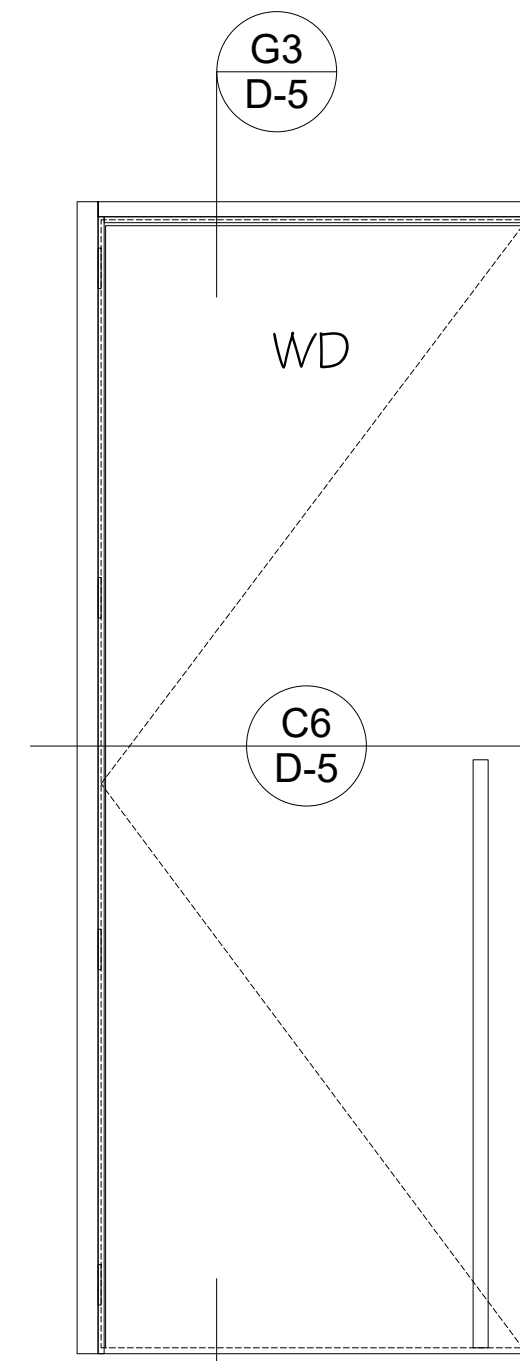


G3
D-5

C5
D-5

H3
D-5

1 3/4" WOOD DOOR
BUTT HINGES
LEVER SET

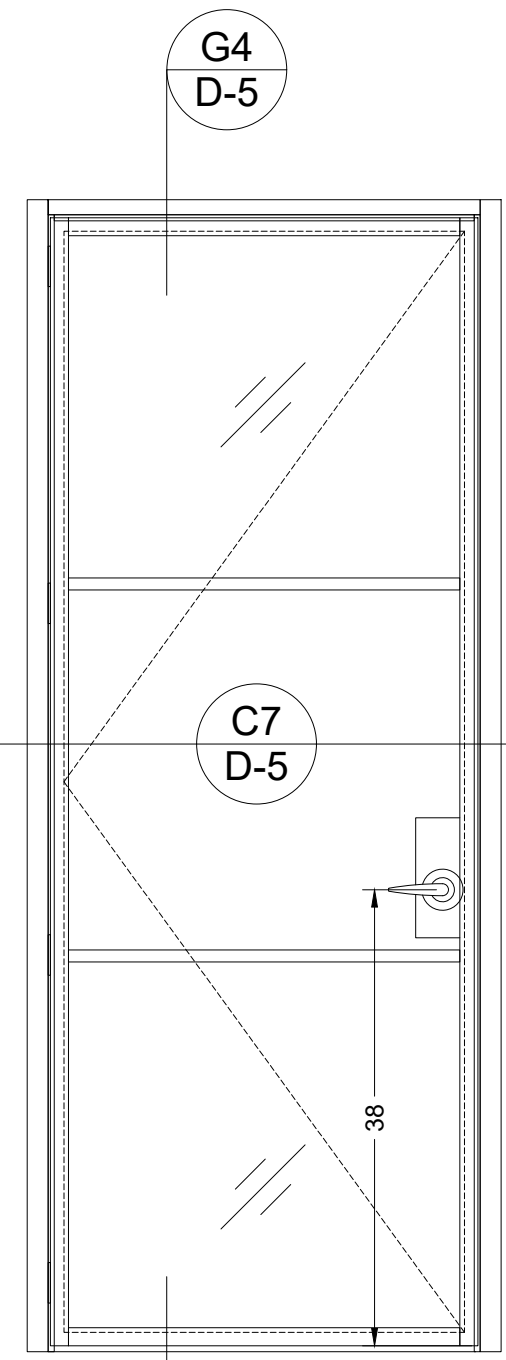


G3
D-5

C6
D-5

H3
D-5

1 3/4" WOOD DOOR
BUTT HINGES
LADDER PULLS

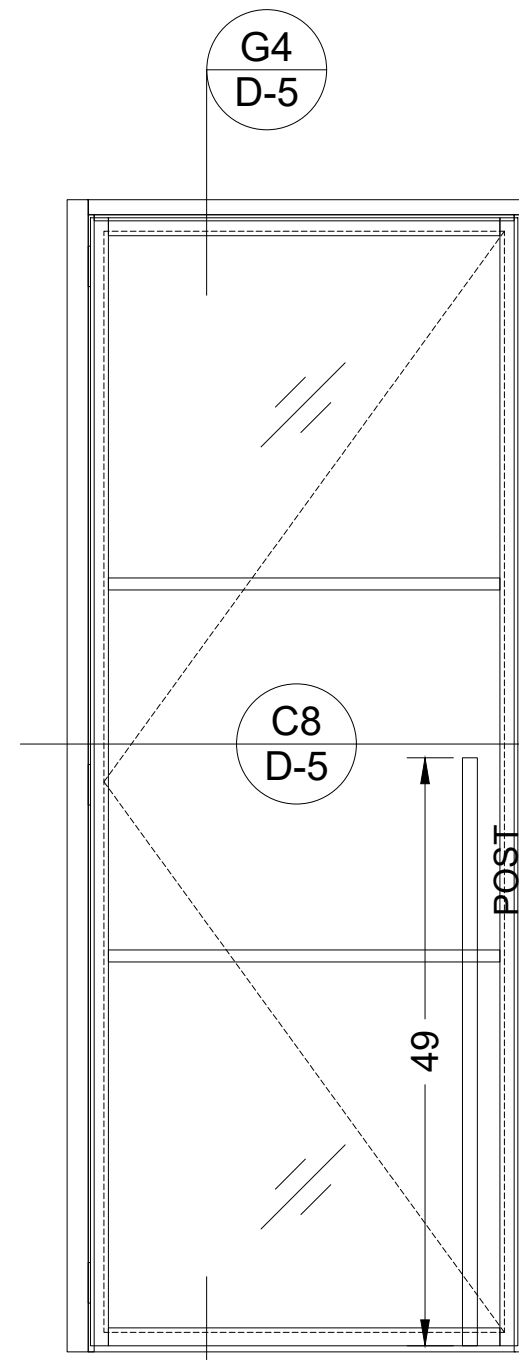


G4
D-5

C7
D-5

H4
D-5

FULLY FRAMED GLASS DOOR
BUTT HINGES
LEVER SET

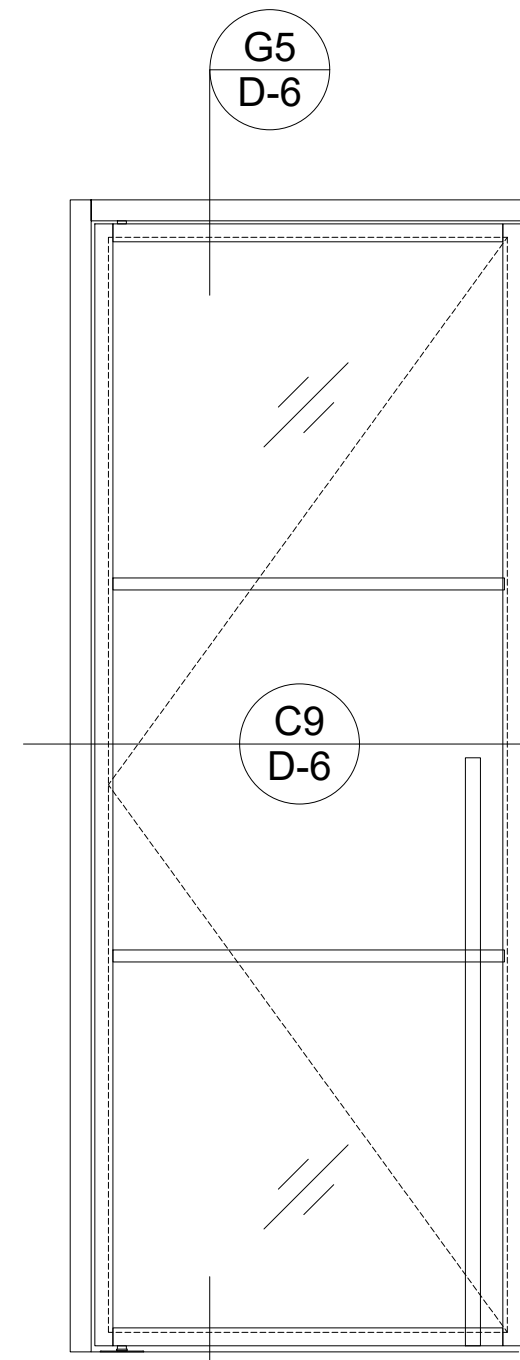


G4
D-5

C8
D-5

H4A
D-5

FULLY FRAMED GLASS DOOR
BUTT HINGES
LADDER PULL
DROP SEAL

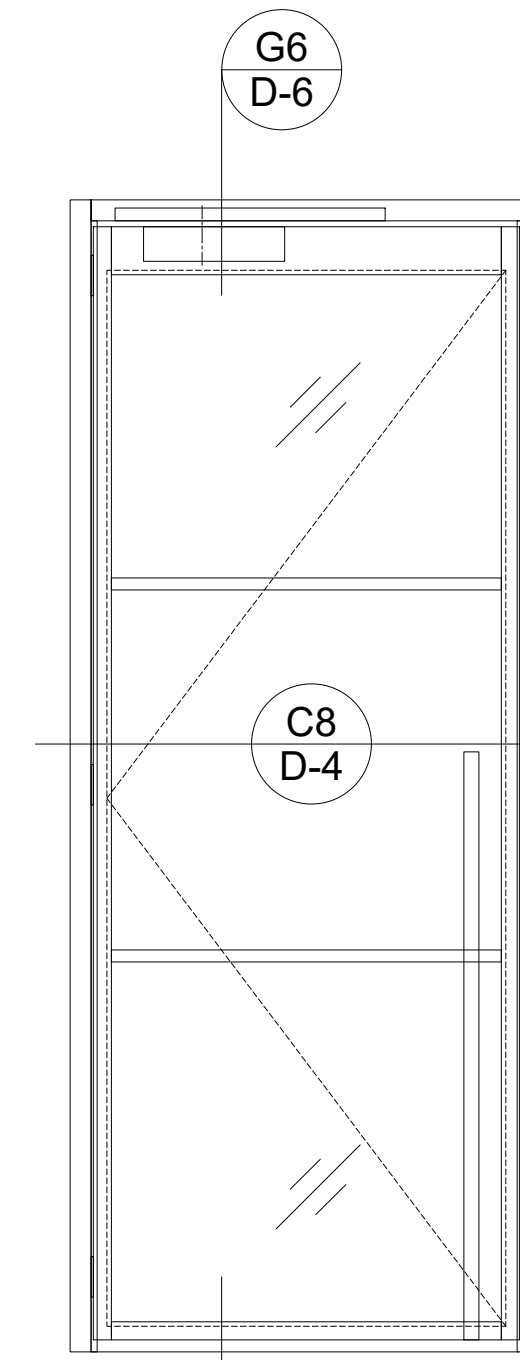


G5
D-6

C9
D-6

H5
D-6

FULLY FRAMED GLASS DOOR
TOP/BOTTOM PIVOT
LADDER PULL

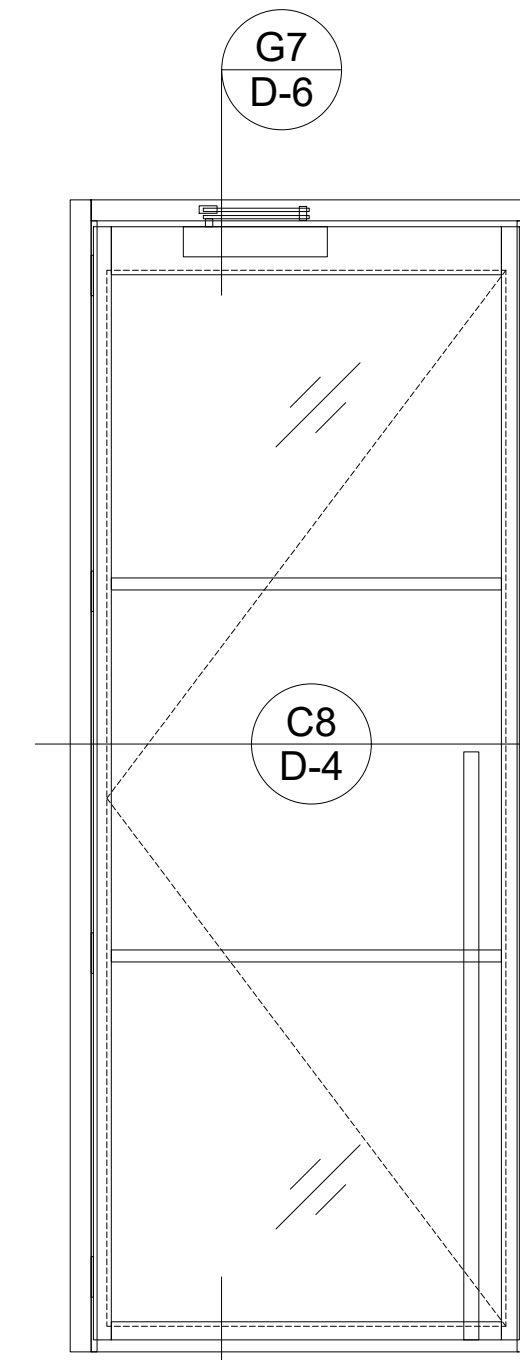


G6
D-6

C8
D-4

H4
D-5

FULLY FRAMED GLASS DOOR
BUTT HINGES
LADDER PULL
CONCEALED DOOR CLOSER

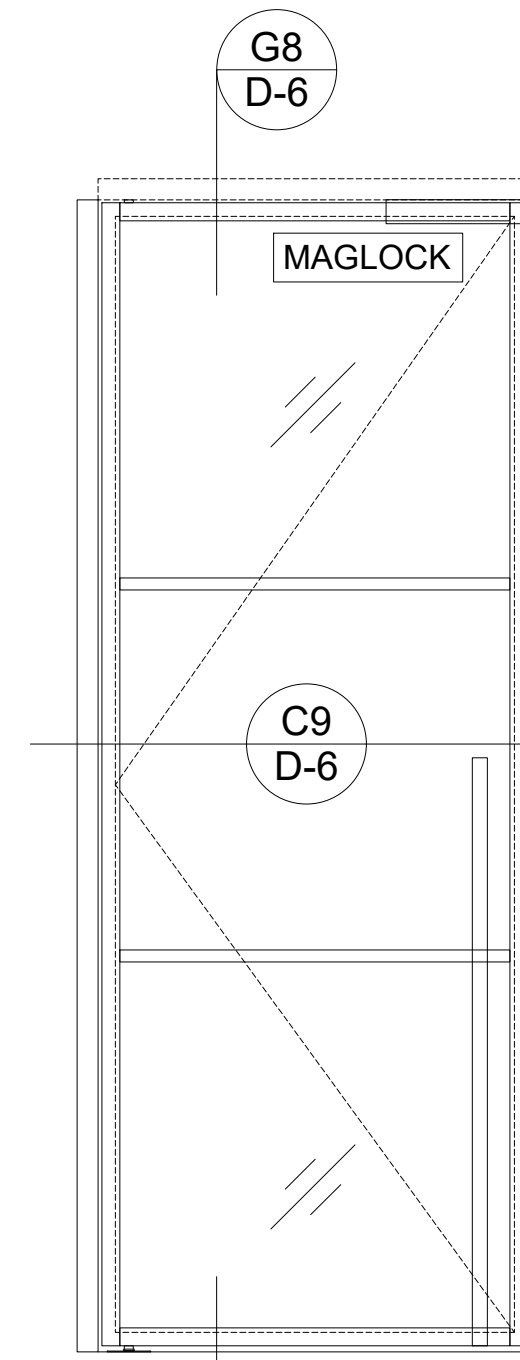


G7
D-6

C8
D-4

H4
D-5

FULLY FRAMED GLASS DOOR
BUTT HINGES
LADDER PULL
ARM DOOR CLOSER



G8
D-6

C9
D-6

H5
D-6

FULLY FRAMED GLASS DOOR
TOP/BOTTOM PIVOT
LADDER PULL
RECESSED DOOR CLOSER
MAGLOCK

NOTES:

1. ALL DIMENSIONS ARE TO BE VERIFIED IN FIELD;
2. HEIGHTS MAY VARY ALONG FLOOR BASED ON FIELD CONDITION.
3. G.C. TO PROVIDE BLOCKING AT ALL THE WALL/HEADER WHERE POST/TRACK EXISTS;
4. GLASS TYPES:
THICKNESS: 3/8", 1/2", 5/8"
CLEAR TEMPERED
LOW IRON TEMPERED
CLEAR LAMINATED
ACOUSTIC LAMINATED
LOW IRON LAMINATED
5. FINISHES:
CLEAR ANODIZED
BLACK ANODIZED
POWDER COAT
BRUSHED SATIN
MEDIUM BRONZE
6. STD LEAD TIME: 3-5 WEEKS
7. CONTACT: info@tagwallny.com
estimating@tagwallny.com

TAGWALL

321 W. 44TH ST, SUITE 200 NY, NY 10036
212.354.9255 tagwallny.com

PROJECT:

SASH SYSTEM

DATE: 12/10/2020

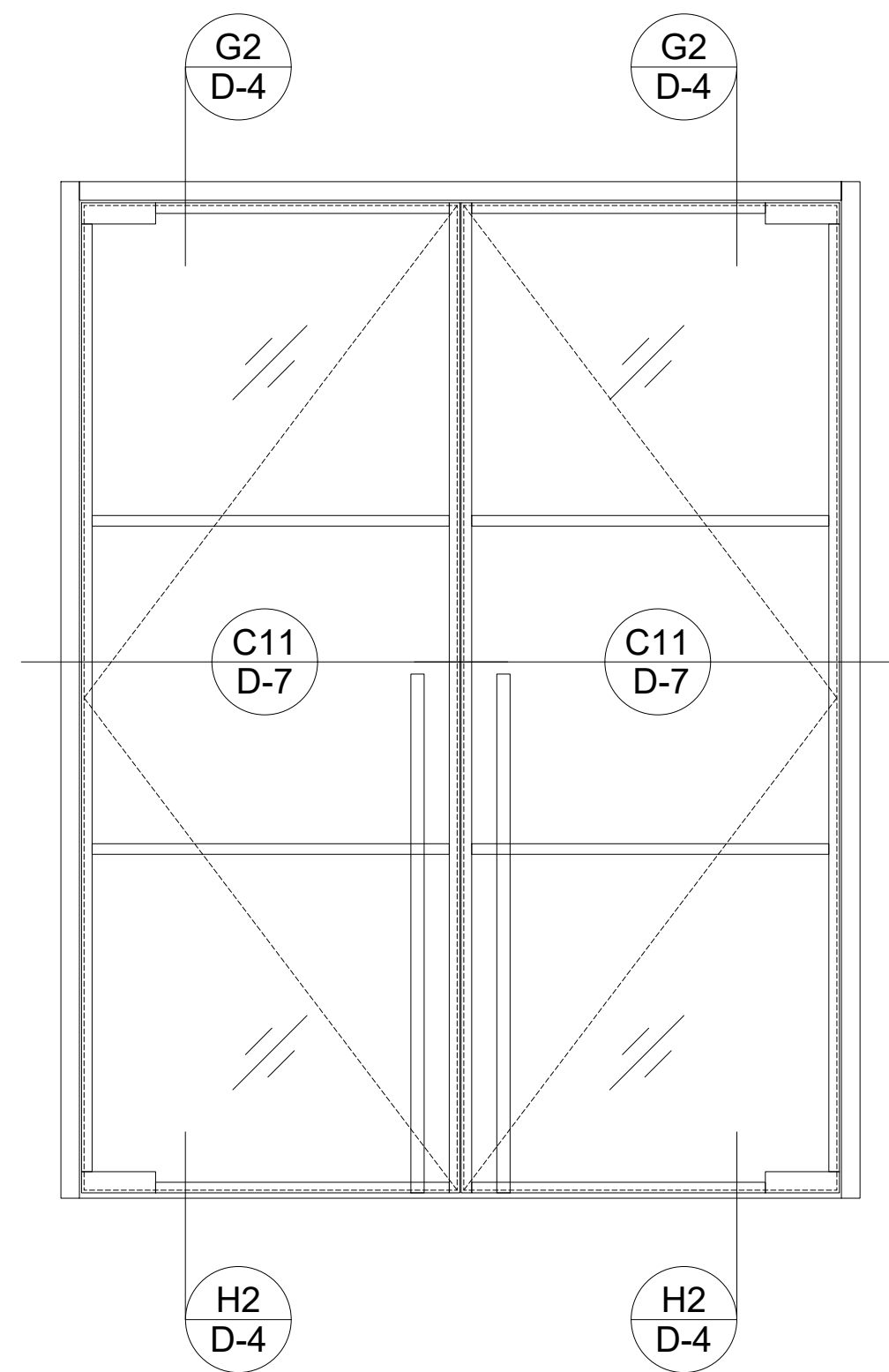
SCALE: 3/4" = 1'-0"

DRAWING No.

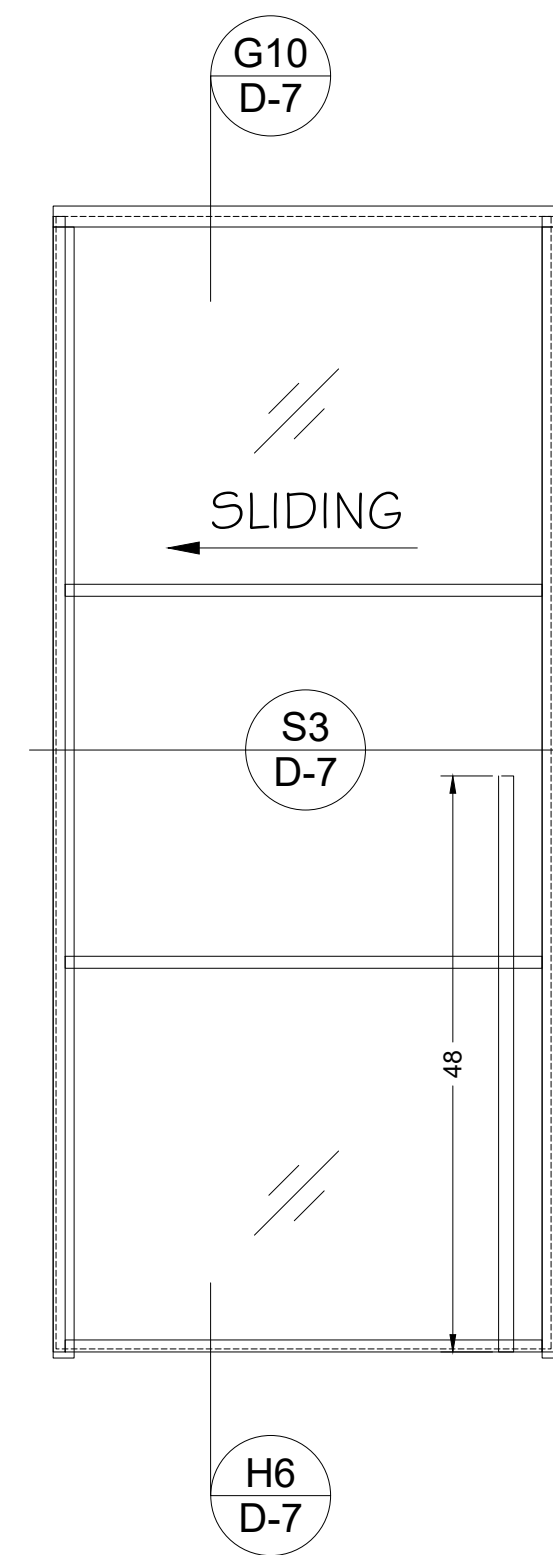
DRAWING TITLE:

ELEVATIONS

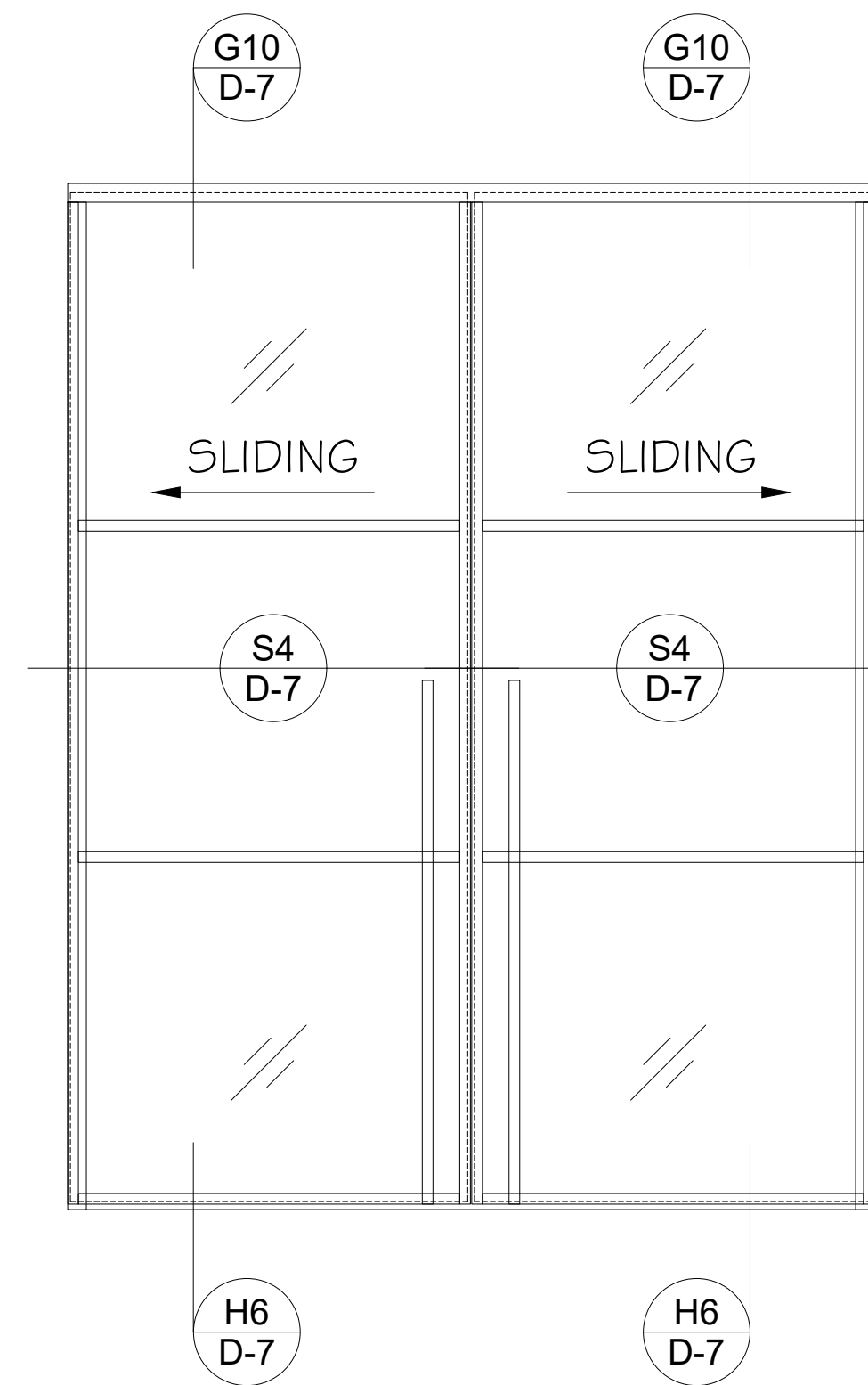
E-2



MIRAGE FRAMED
1/2" GLASS DOUBLE DOOR
TOP/BOTTOM PATCH FITTINGS
LADDER PULL



MIRAGE FRAMED
1/2" GLASS SLIDING DOOR
LADDER PULL



MIRAGE FRAMED
1/2" GLASS DOUBLE SLIDING DOOR
LADDER PULL

NOTES:

1. ALL DIMENSIONS ARE TO BE VERIFIED IN FIELD;
2. HEIGHTS MAY VARY ALONG FLOOR BASED ON FIELD CONDITION.
3. G.C. TO PROVIDE BLOCKING AT ALL THE WALL/HEADER WHERE POST/TRACK EXISTS;
4. GLASS TYPES:
THICKNESS: 3/8", 1/2", 5/8"
CLEAR TEMPERED
LOW IRON TEMPERED
CLEAR LAMINATED
ACOUSTIC LAMINATED
LOW IRON LAMINATED
5. FINISHES:
CLEAR ANODIZED
BLACK ANODIZED
POWDER COAT
BRUSHED SATIN
MEDIUM BRONZE
6. STD LEAD TIME: 3-5 WEEKS
7. CONTACT: info@tagwallny.com
estimating@tagwallny.com

TAGWALL

321 W. 44TH ST, SUITE 200 NY, NY 10036
212.354.9255 tagwallny.com

PROJECT:

SASH SYSTEM

DATE: 12/10/2020

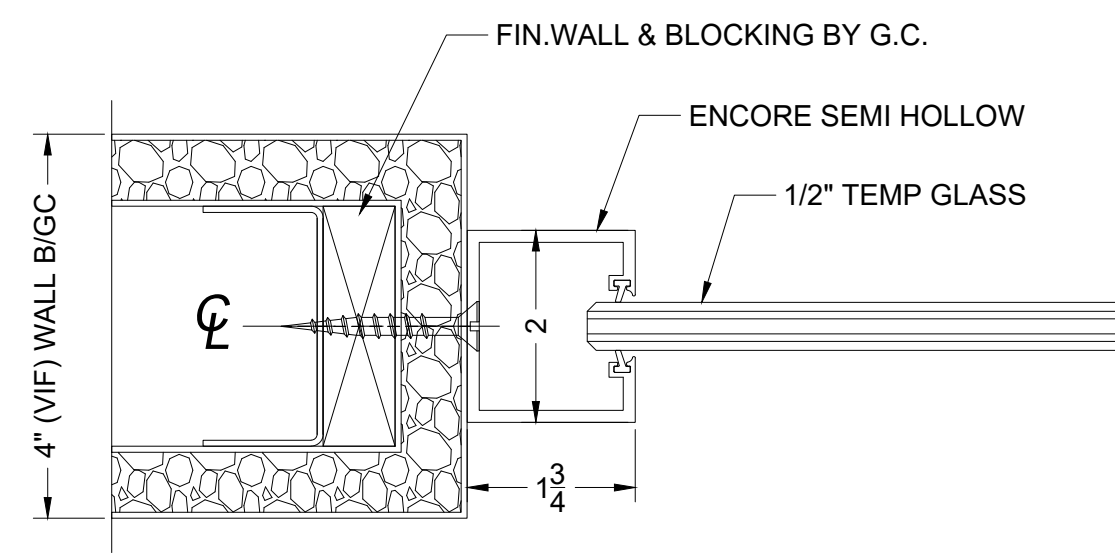
SCALE: 3/4" = 1'-0"

DRAWING No.

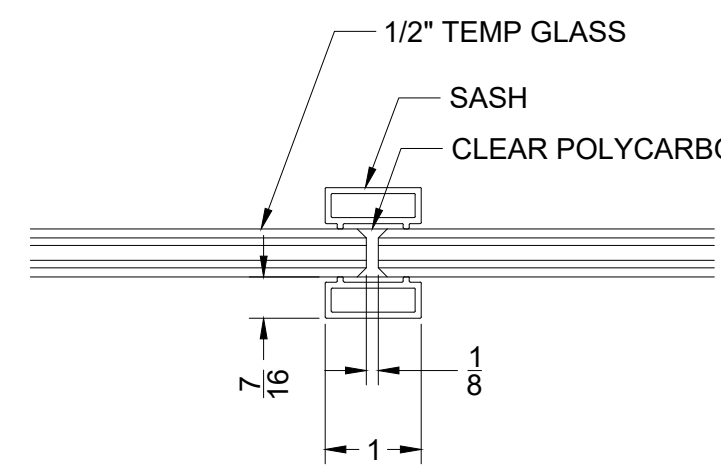
DRAWING TITLE:

ELEVATIONS

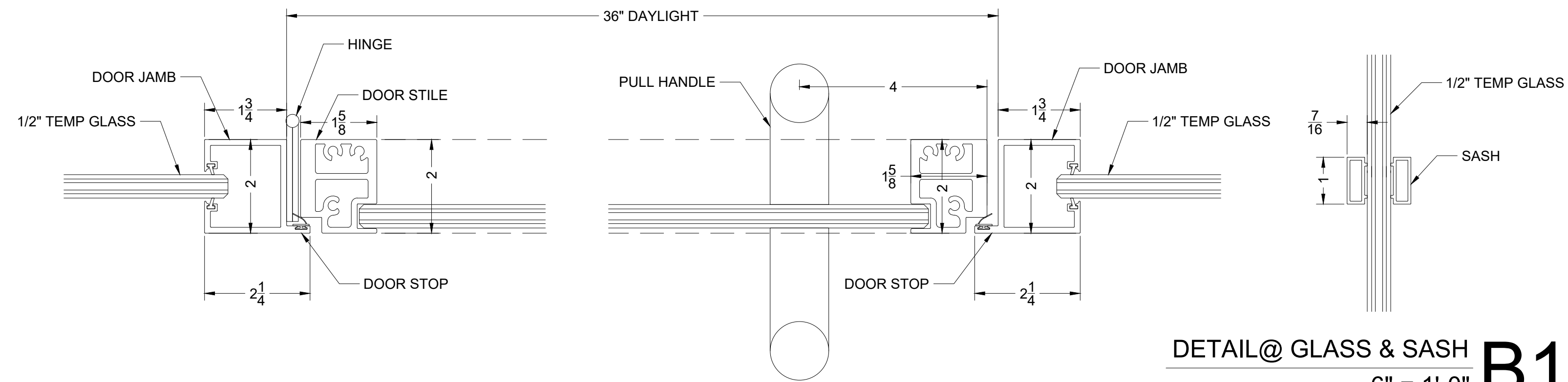
E-3



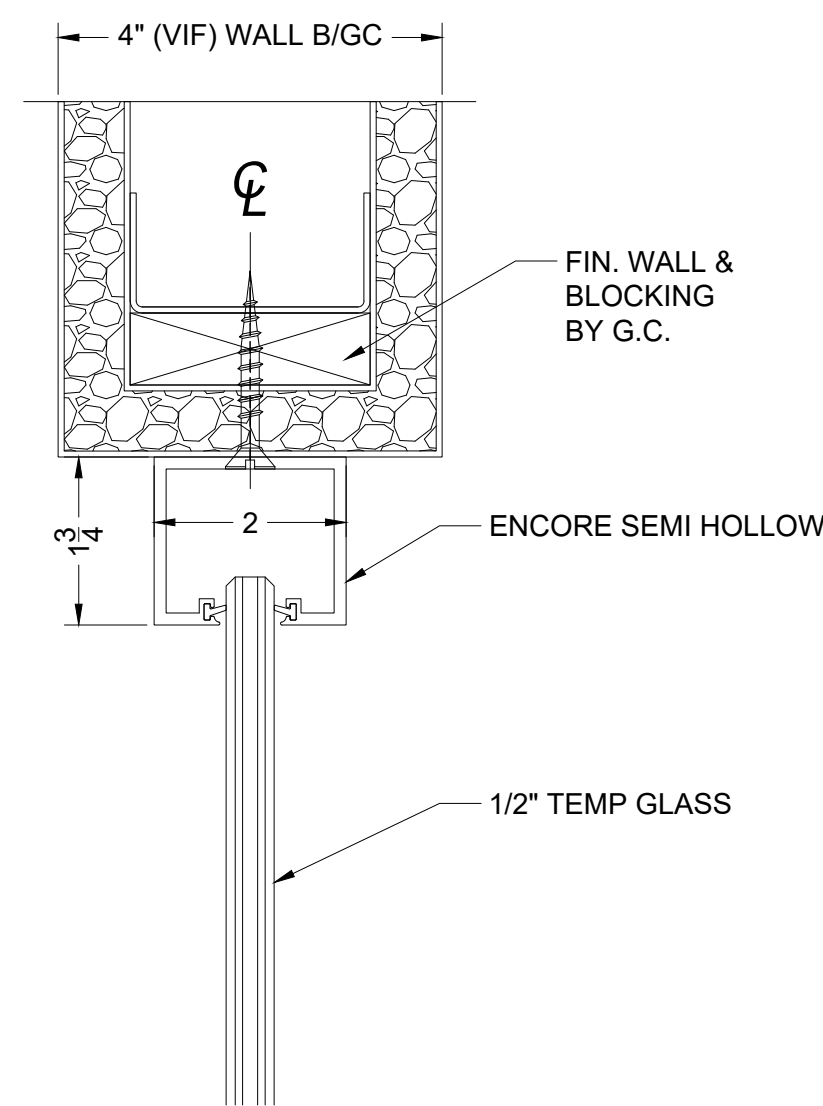
DETAIL @ SIDE U-CHANNEL **A**
6" = 1'-0"



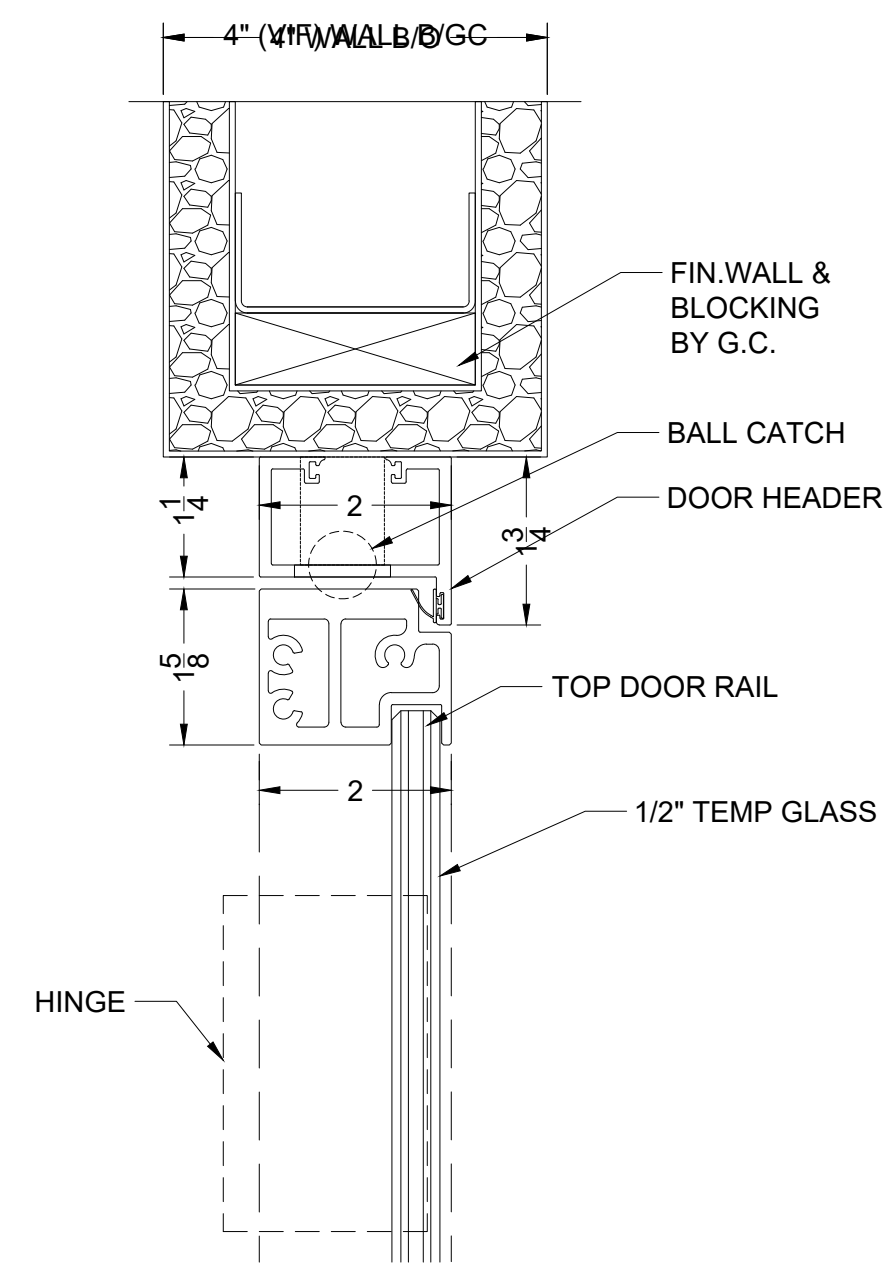
DETAIL @ GLASS JOINT **B**
6" = 1'-0"



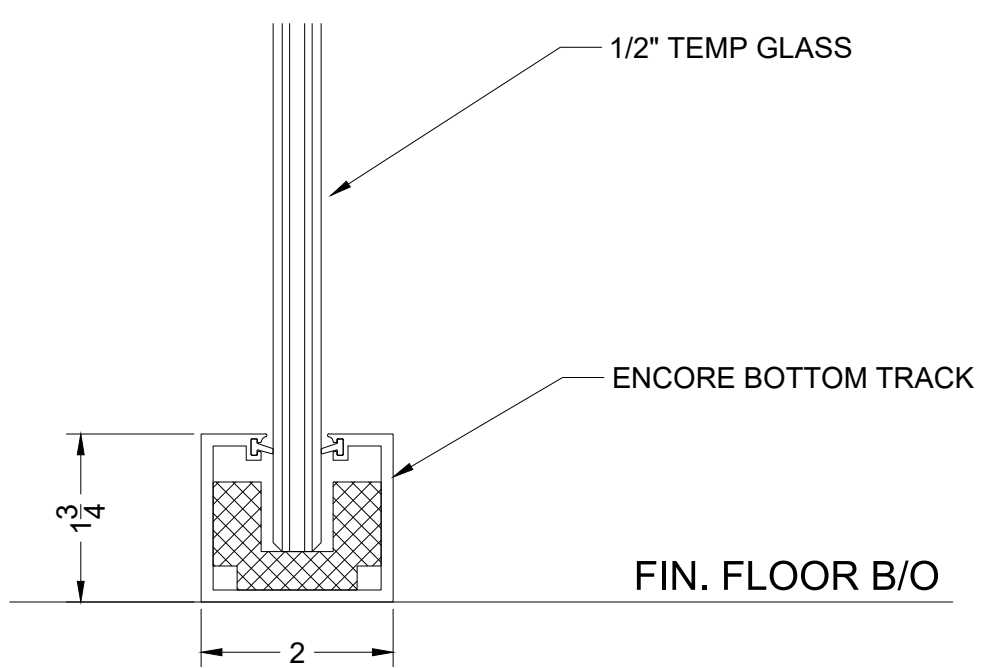
DETAIL @ GLASS & SASH **B1**
6" = 1'-0"



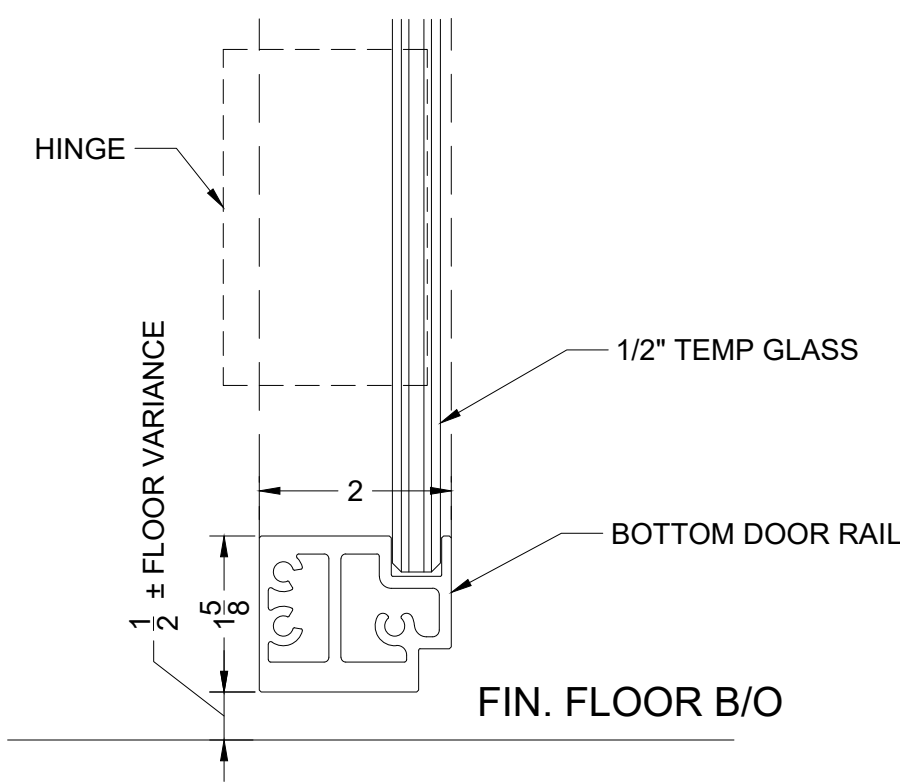
HEAD DETAIL @ FIXED PANEL **E**
6" = 1'-0"



HEAD DETAIL @ FRAMED SWING DOOR **G**
6" = 1'-0"



BOTTOM DETAIL @ FIXED PANEL **F**
6" = 1'-0"



BOTTOM DETAIL @ FRAMED SWING DOOR **H**
6" = 1'-0"

NOTES:

1. ALL DIMENSIONS ARE TO BE VERIFIED IN FIELD;
2. HEIGHTS MAY VARY ALONG FLOOR BASED ON FIELD CONDITION.
3. G.C. TO PROVIDE BLOCKING AT ALL THE WALL/HEADER WHERE POST/TRACK EXISTS;
4. GLASS TYPES:

THICKNESS: 3/8", 1/2", 5/8"
 CLEAR TEMPERED
 LOW IRON TEMPERED
 CLEAR LAMINATED
 ACOUSTIC LAMINATED
 LOW IRON LAMINATED

5. FINISHES:

CLEAR ANODIZED
 BLACK ANODIZED
 POWDER COAT
 BRUSHED SATIN
 MEDIUM BRONZE

6. STD LEAD TIME: 3-5 WEEKS

7. CONTACT: info@tagwallny.com
 estimating@tagwallny.com

TAGWALL

321 W. 44TH ST, SUITE 200 NY, NY 10036
 212.354.9255 tagwallny.com

PROJECT:

SASH SYSTEM

DATE: 12/10/2020

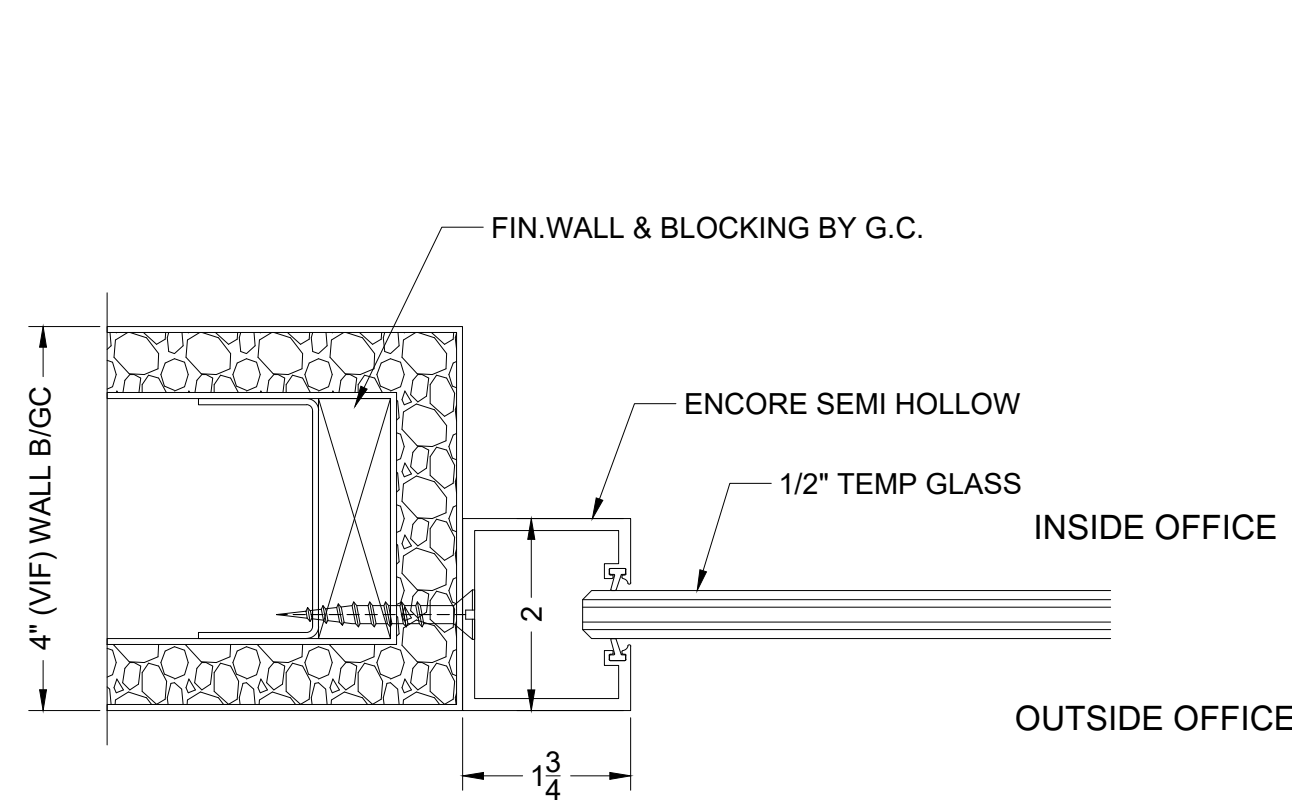
SCALE: 6" = 1'-0"

DRAWING No.

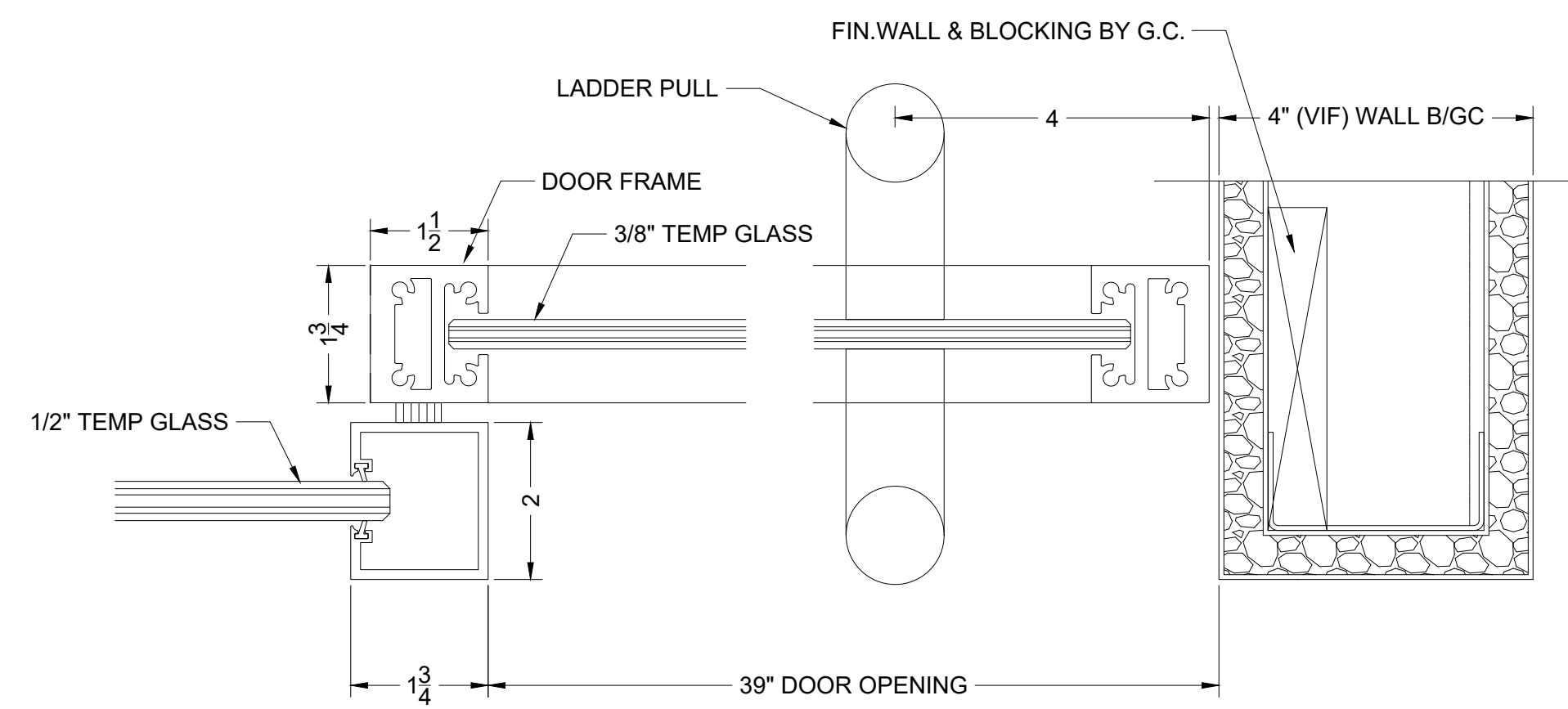
DRAWING TITLE:

DETAILS

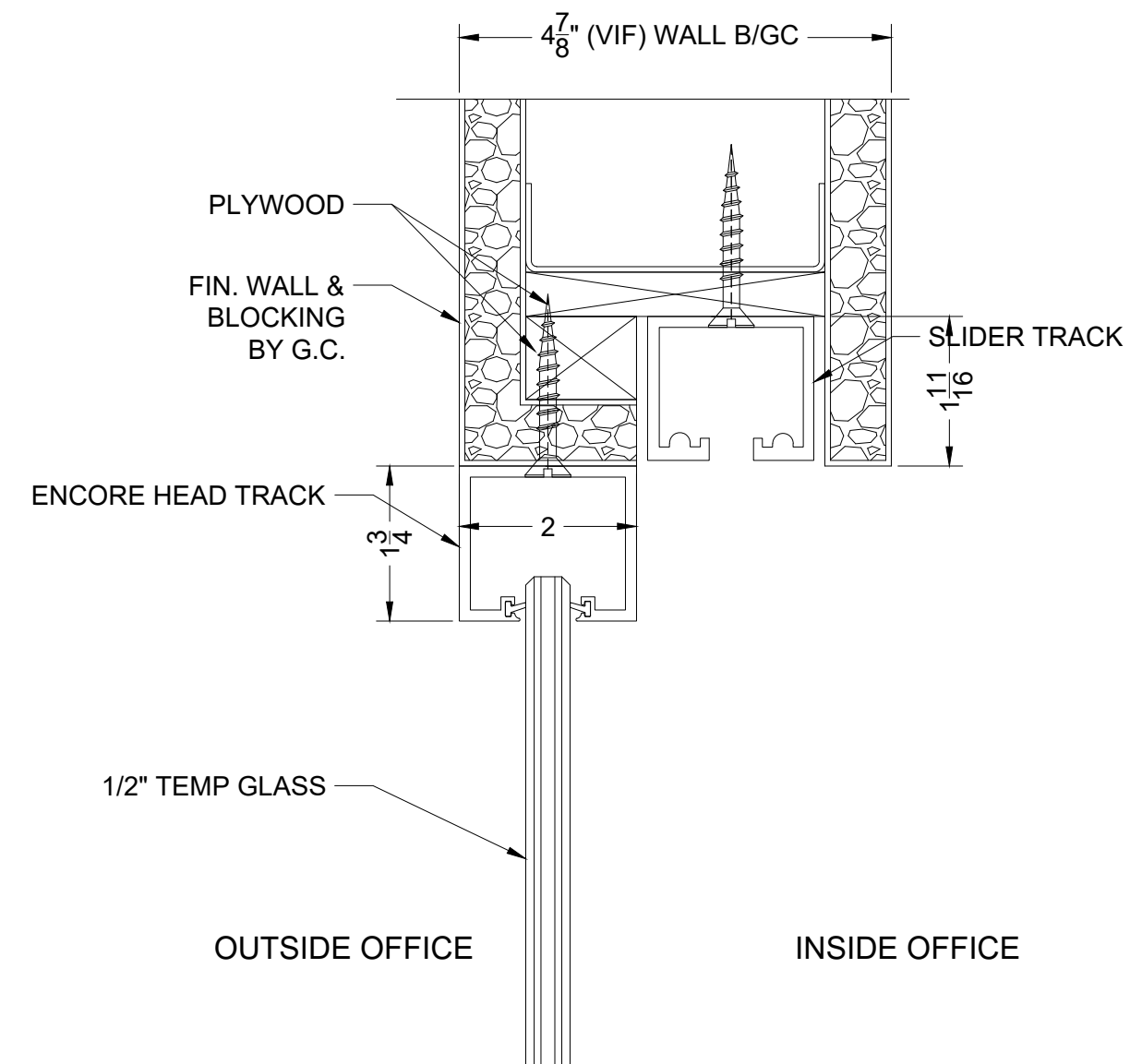
D-1



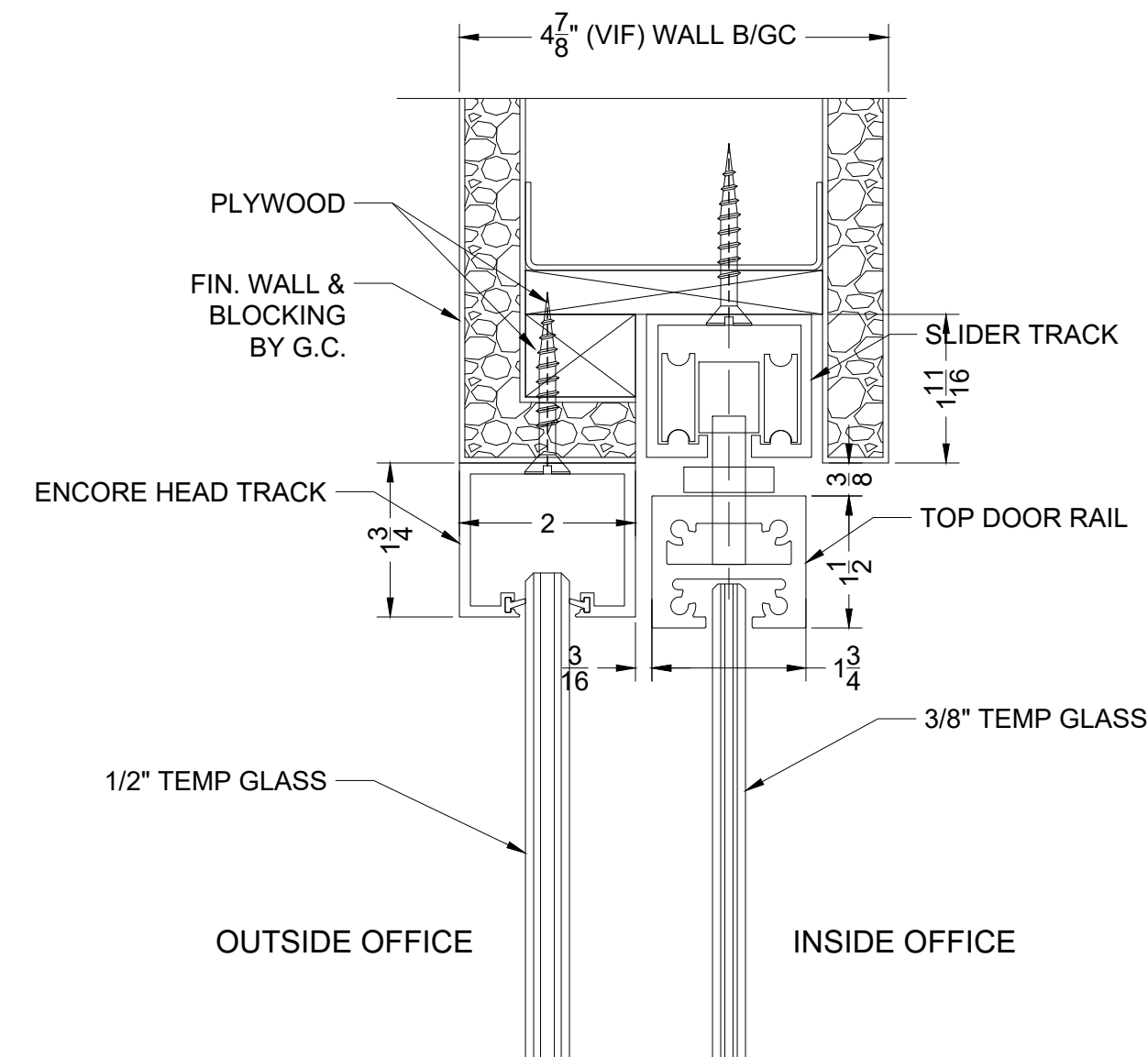
DETAIL @ SIDE U-CHANNEL
6" = 1'-0" **A**



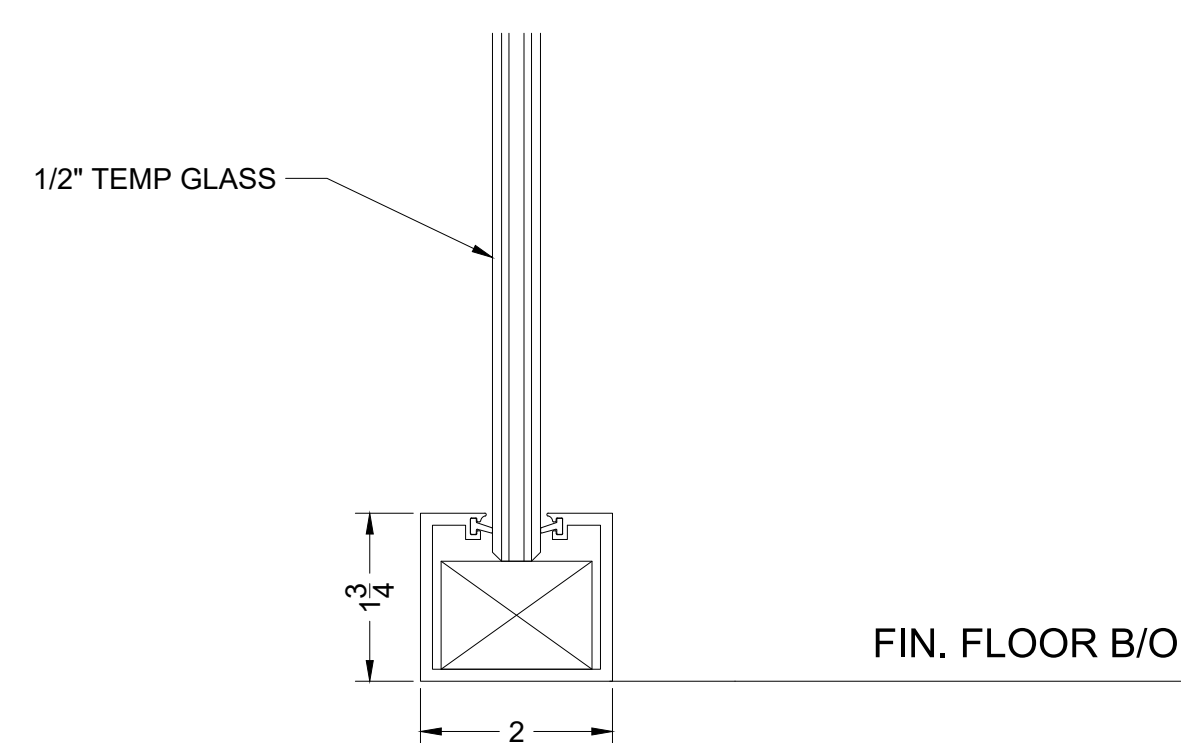
DETAIL @ FRAMED SLIDING DOOR
6" = 1'-0" **C**



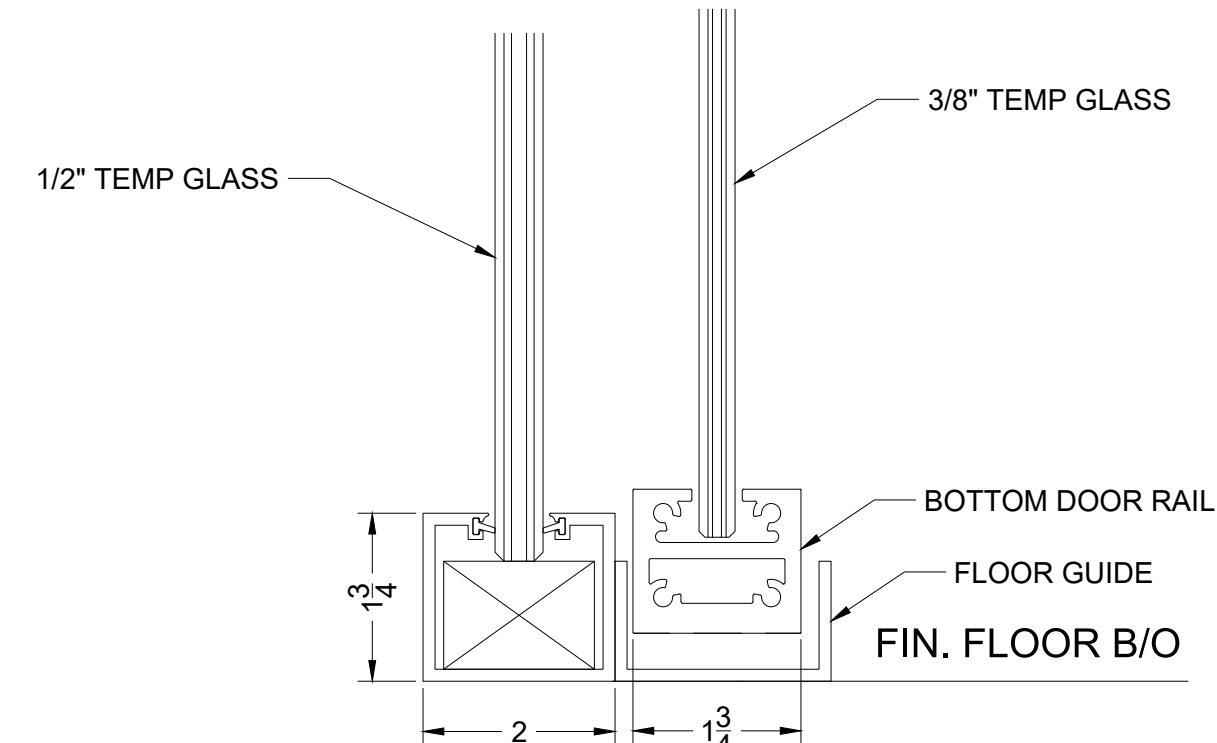
DETAIL @ SLIDER HEADER
6" = 1'-0" **E**



DETAIL @ SLIDER HEADER
6" = 1'-0" **G**



DETAIL @ BOTTOM SLIDER
6" = 1'-0" **F**



DETAIL @ BOTTOM SLIDER
6" = 1'-0" **H**

- NOTES:
- ALL DIMENSIONS ARE TO BE VERIFIED IN FIELD;
 - HEIGHTS MAY VARY ALONG FLOOR BASED ON FIELD CONDITION.
 - G.C. TO PROVIDE BLOCKING AT ALL THE WALL/HEADER WHERE POST/TRACK EXISTS;
 - GLASS TYPES:
THICKNESS: 3/8", 1/2", 5/8"
CLEAR TEMPERED
LOW IRON TEMPERED
CLEAR LAMINATED
ACOUSTIC LAMINATED
LOW IRON LAMINATED
 - FINISHES:
CLEAR ANODIZED
BLACK ANODIZED
POWDER COAT
BRUSHED SATIN
MEDIUM BRONZE
 - STD LEAD TIME: 3-5 WEEKS
 - CONTACT: info@tagwallny.com
estimating@tagwallny.com

TAGWALL

321 W. 44TH ST, SUITE 200 NY, NY 10036
212.354.9255 tagwallny.com

PROJECT:

SASH SYSTEM

DATE: 12/10/2020

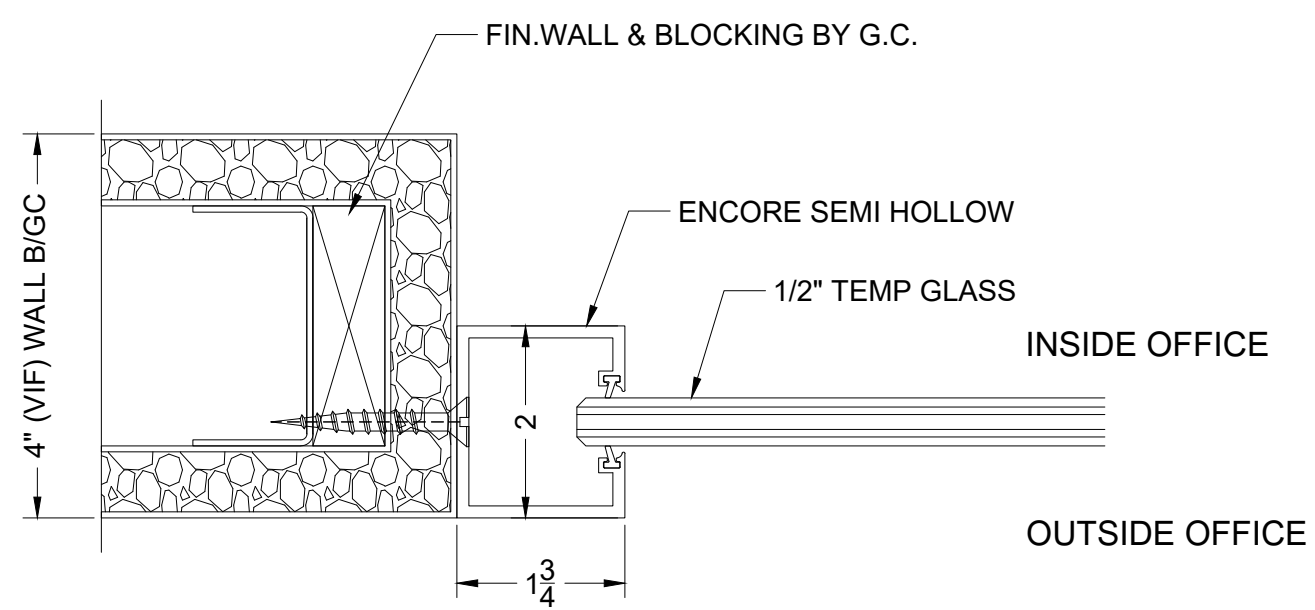
SCALE: 6" = 1'-0"

DRAWING No.

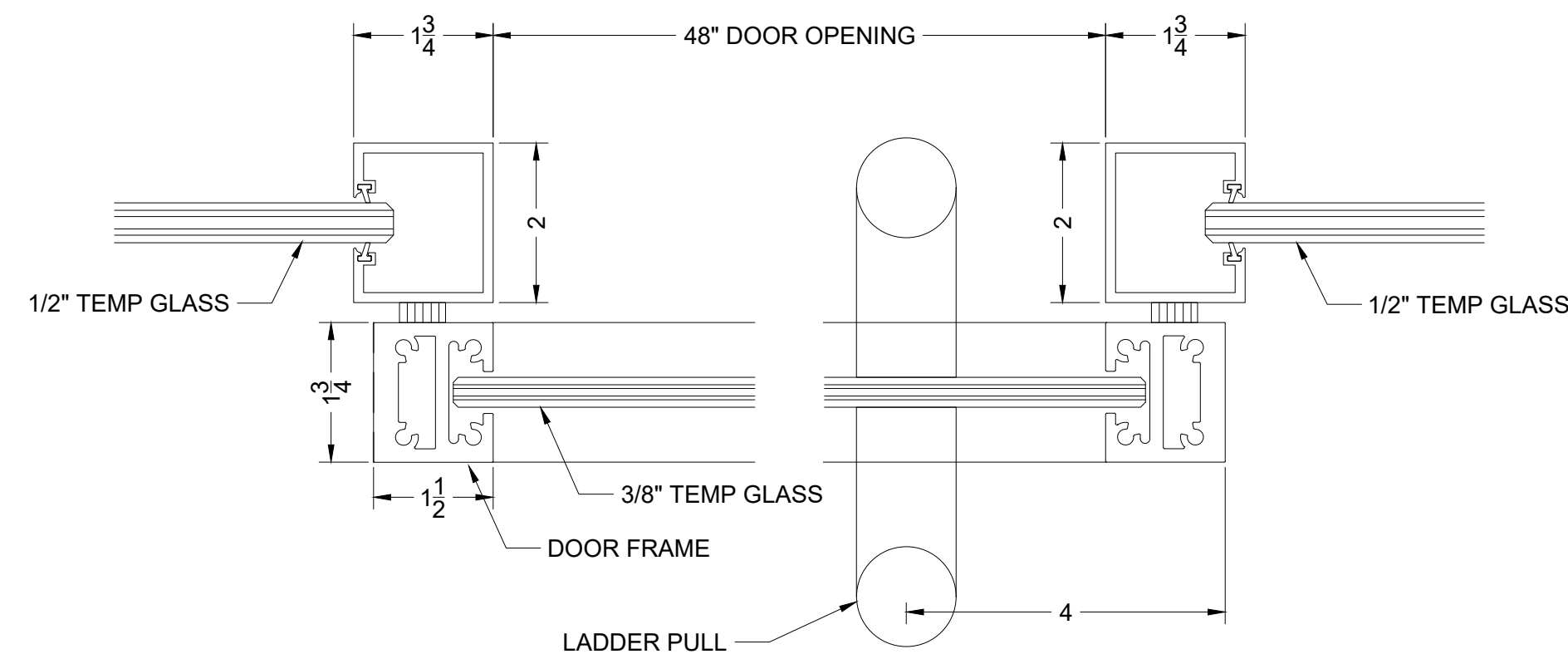
DRAWING TITLE:

DETAILS

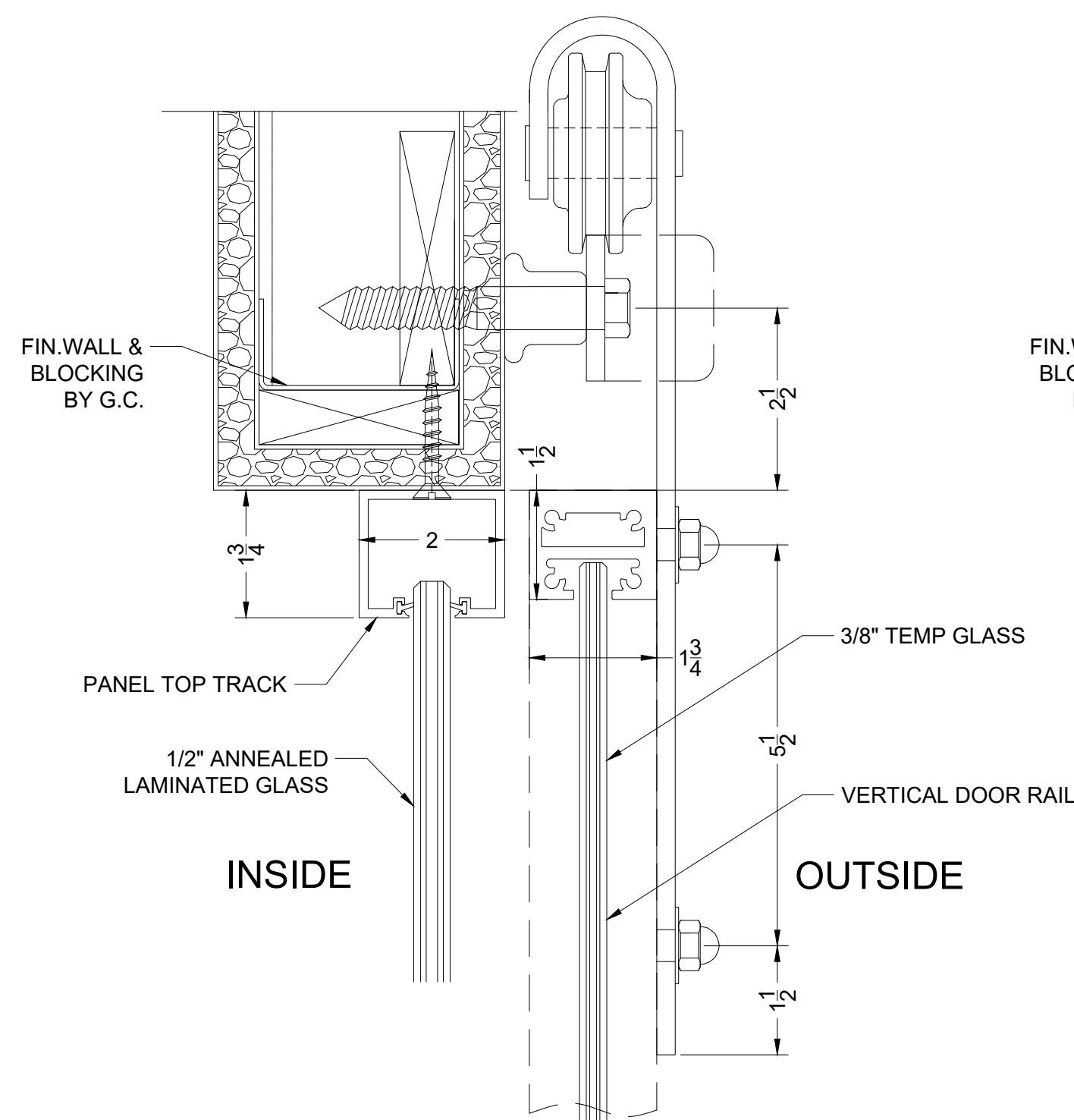
D-2



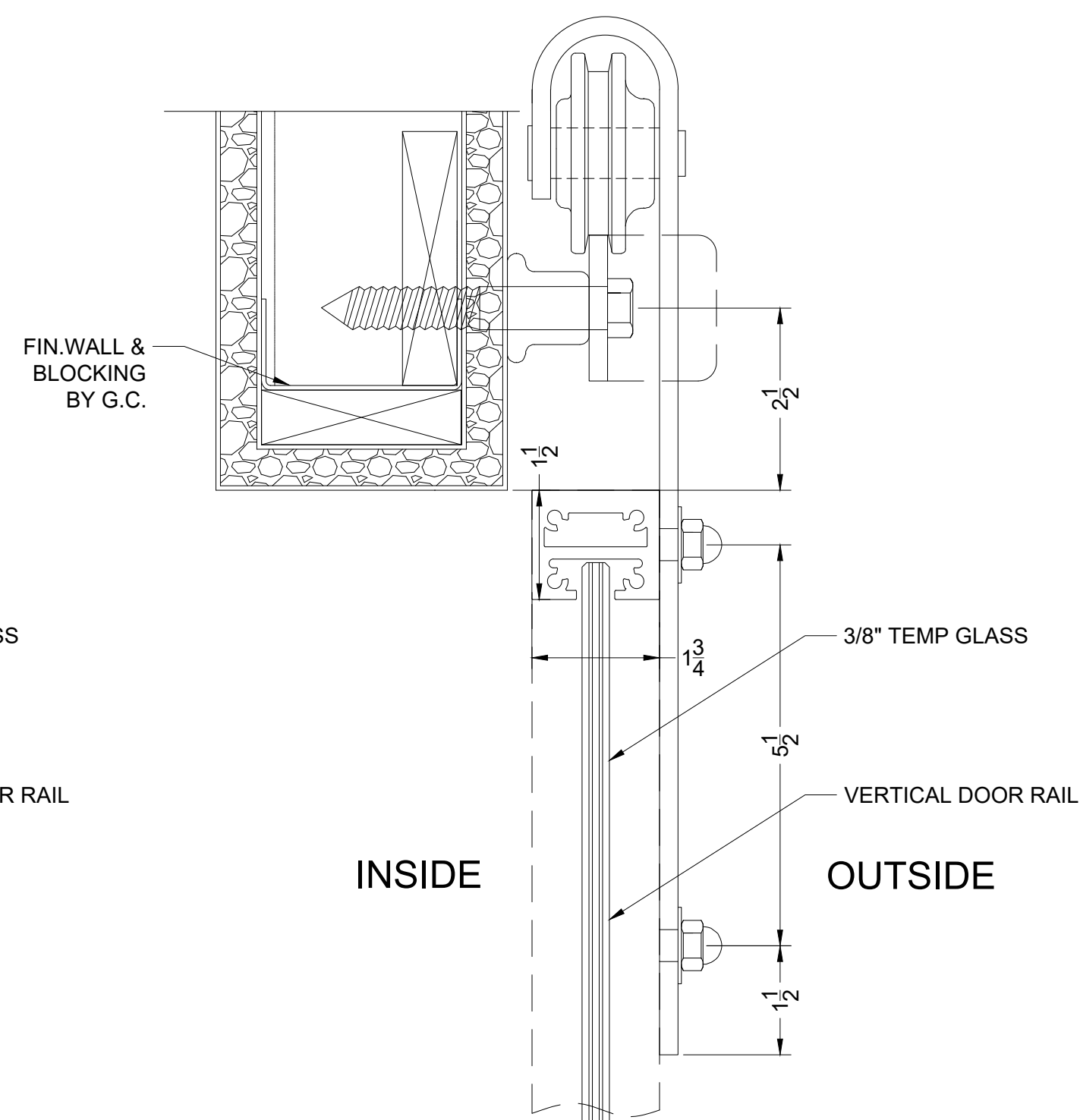
DETAIL @ SIDE U-CHANNEL
6" = 1'-0" **A**



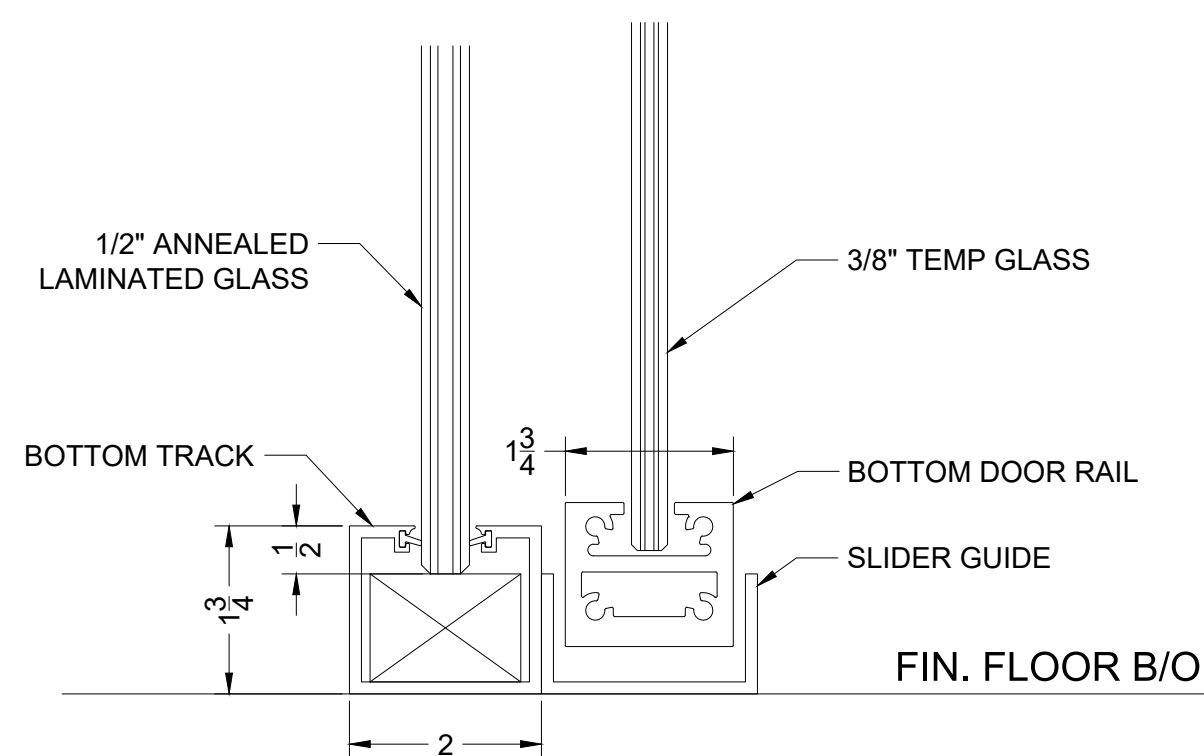
DETAIL @ FRAMED SLIDING DOOR
6" = 1'-0" **C**



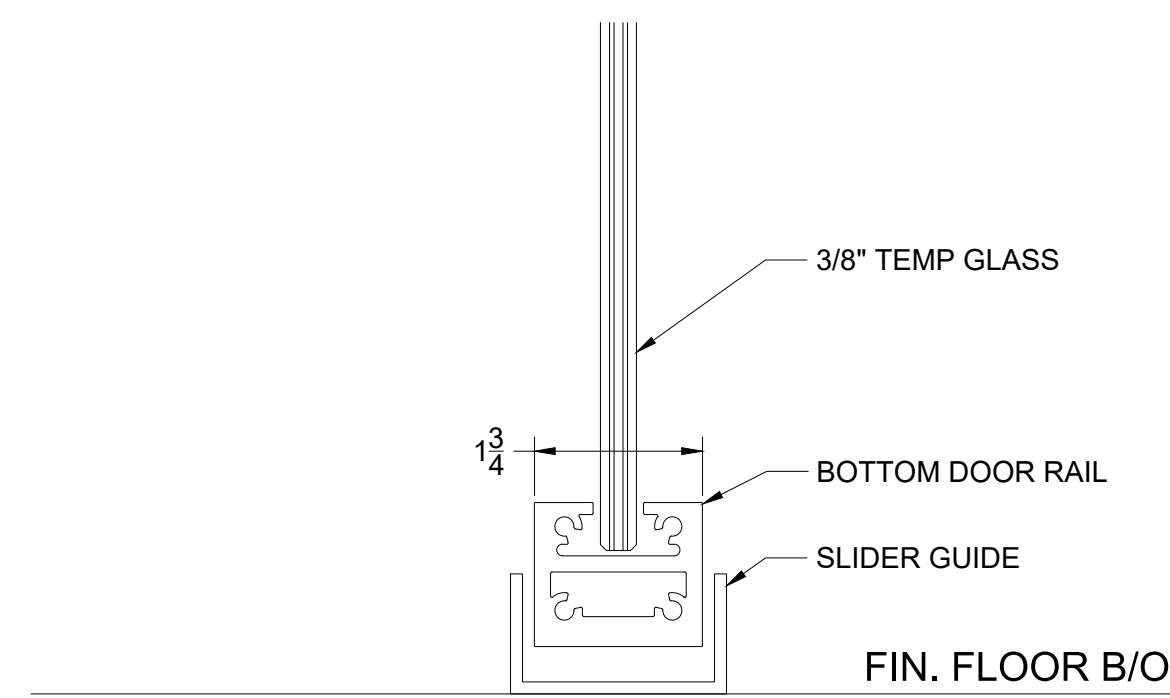
HEAD DETAIL @ SLIDER PANEL
6" = 1'-0" **E**



HEAD DETAIL @ SLIDER PANEL
6" = 1'-0" **G**



BOTTOM DETAIL @ SLIDER PANEL
6" = 1'-0" **F**



BOTTOM DETAIL @ SLIDER PANEL
6" = 1'-0" **H**

- NOTES:
1. ALL DIMENSIONS ARE TO BE VERIFIED IN FIELD;
 2. HEIGHTS MAY VARY ALONG FLOOR BASED ON FIELD CONDITION.
 3. G.C. TO PROVIDE BLOCKING AT ALL THE WALL/HEADER WHERE POST/TRACK EXISTS;
 4. GLASS TYPES:
THICKNESS: 3/8", 1/2", 5/8"
CLEAR TEMPERED
LOW IRON TEMPERED
CLEAR LAMINATED
ACOUSTIC LAMINATED
LOW IRON LAMINATED
 5. FINISHES:
CLEAR ANODIZED
BLACK ANODIZED
POWDER COAT
BRUSHED SATIN
MEDIUM BRONZE
 6. STD LEAD TIME: 3-5 WEEKS
 7. CONTACT: info@tagwallny.com
estimating@tagwallny.com

TAGWALL

321 W. 44TH ST, SUITE 200 NY, NY 10036
212.354.9255 tagwallny.com

PROJECT:

SASH SYSTEM

DATE: 12/10/2020

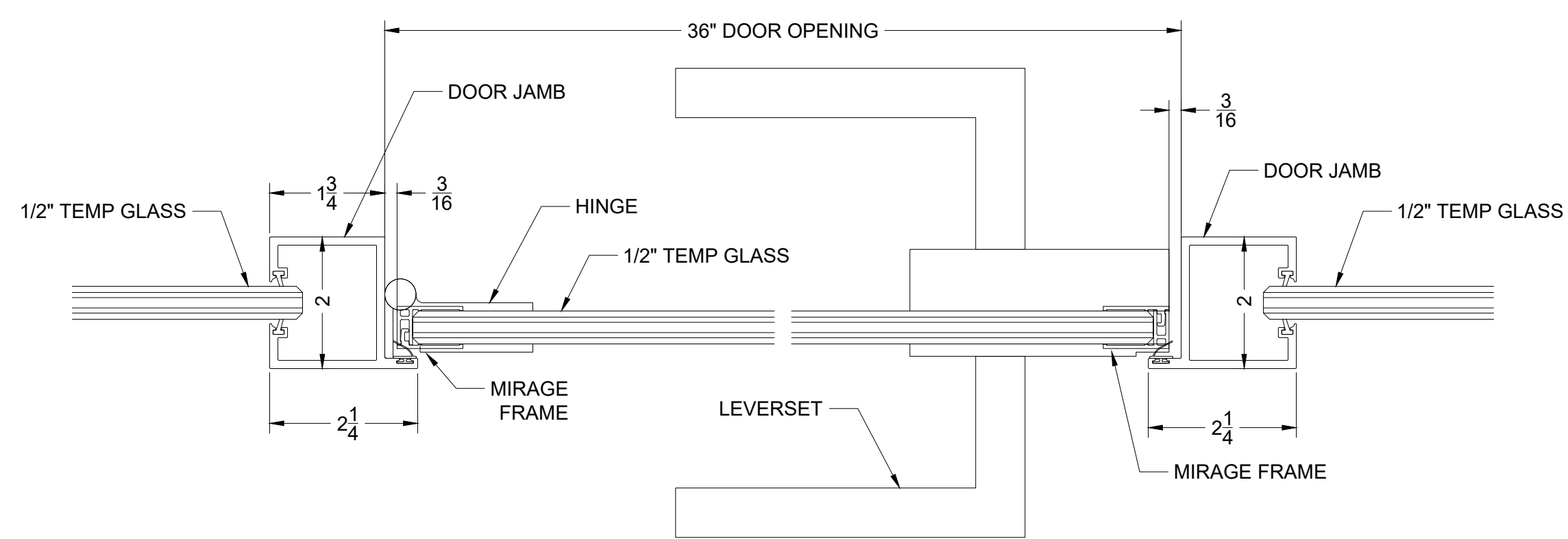
SCALE: 6" = 1'-0"

DRAWING No.

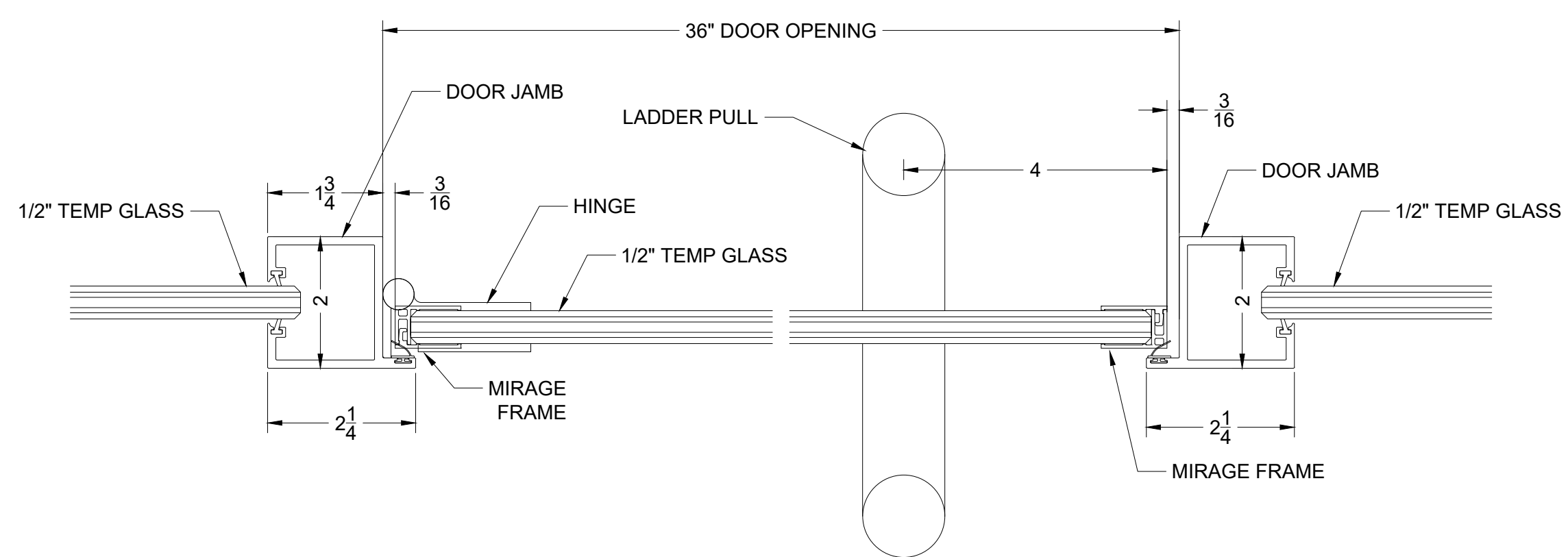
DRAWING TITLE:

DETAILS

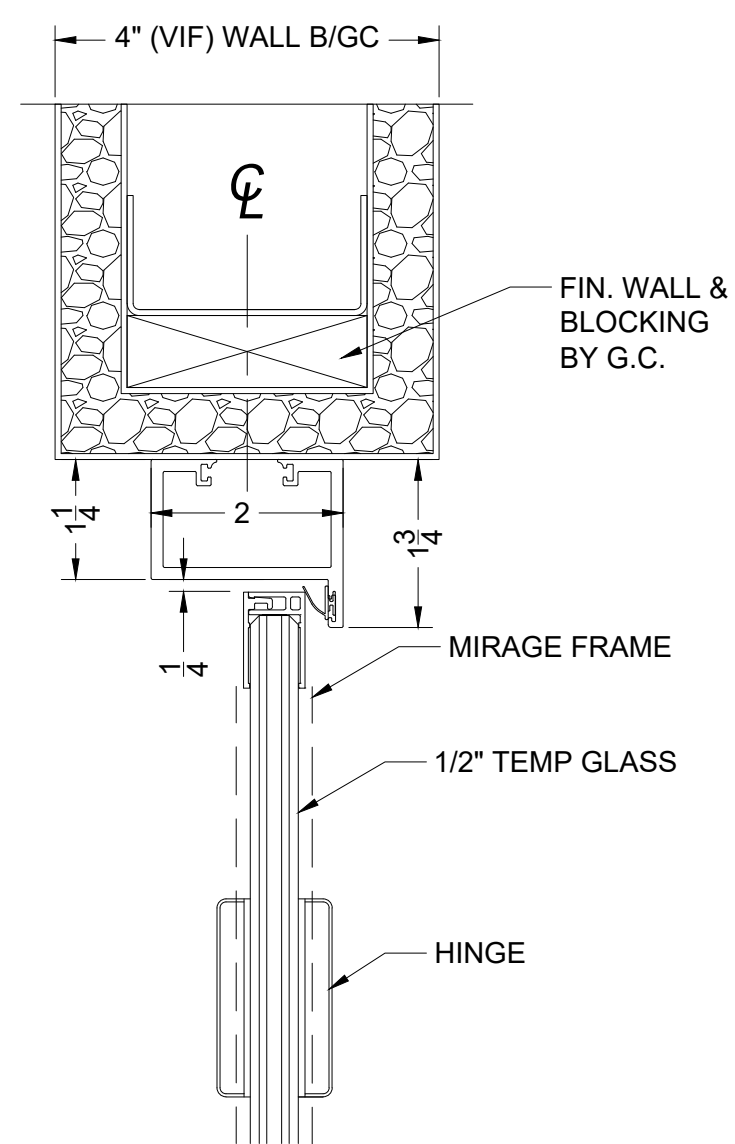
D-3



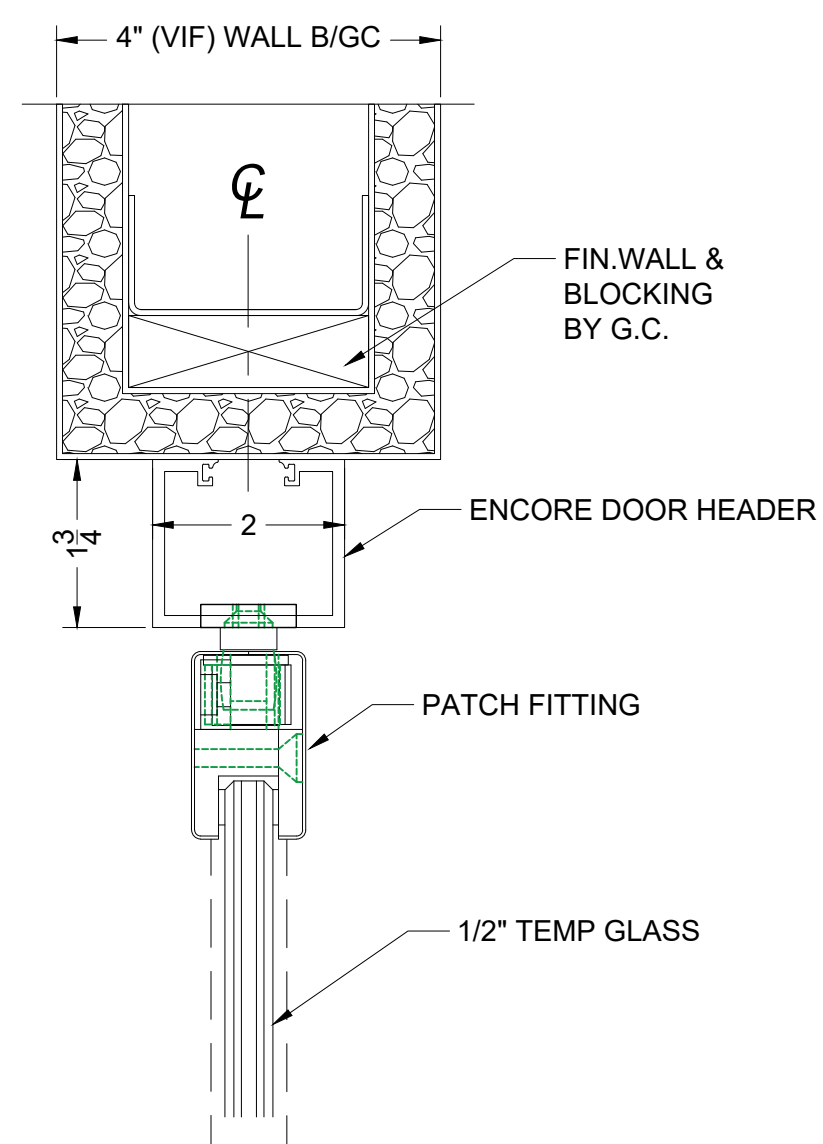
DETAIL@ ENCORE FULL FRAME SWING DOOR
6" = 1'-0" **C1**



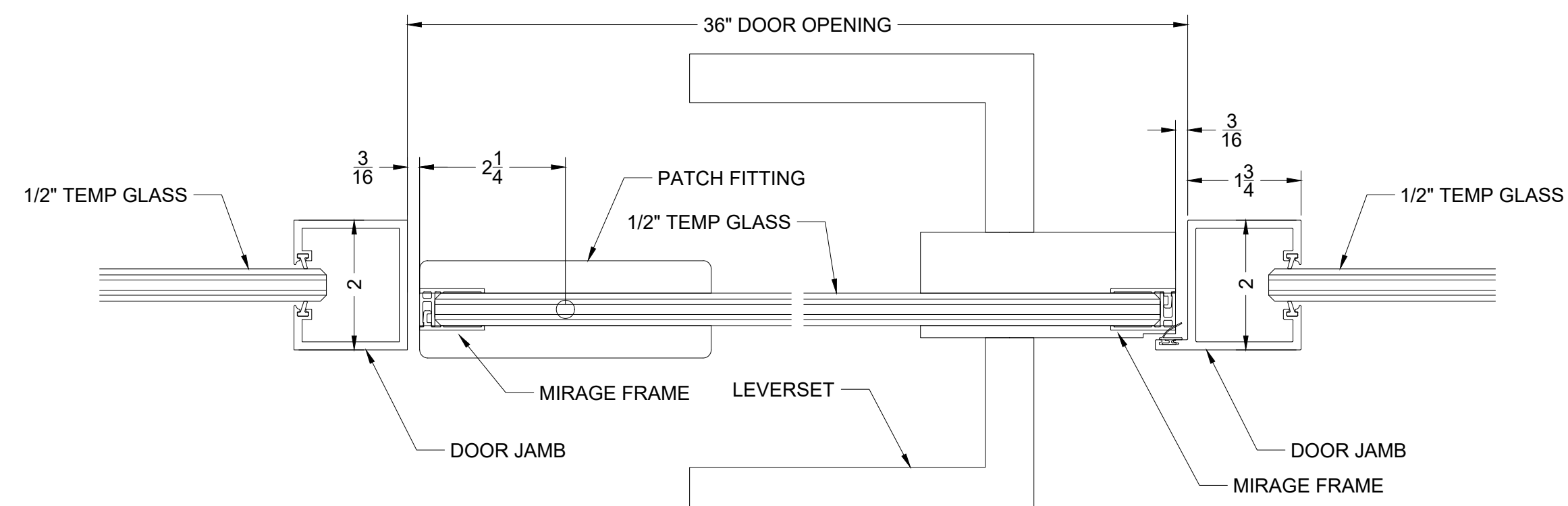
DETAIL@ ENCORE FULL FRAME SWING DOOR
6" = 1'-0" **C2**



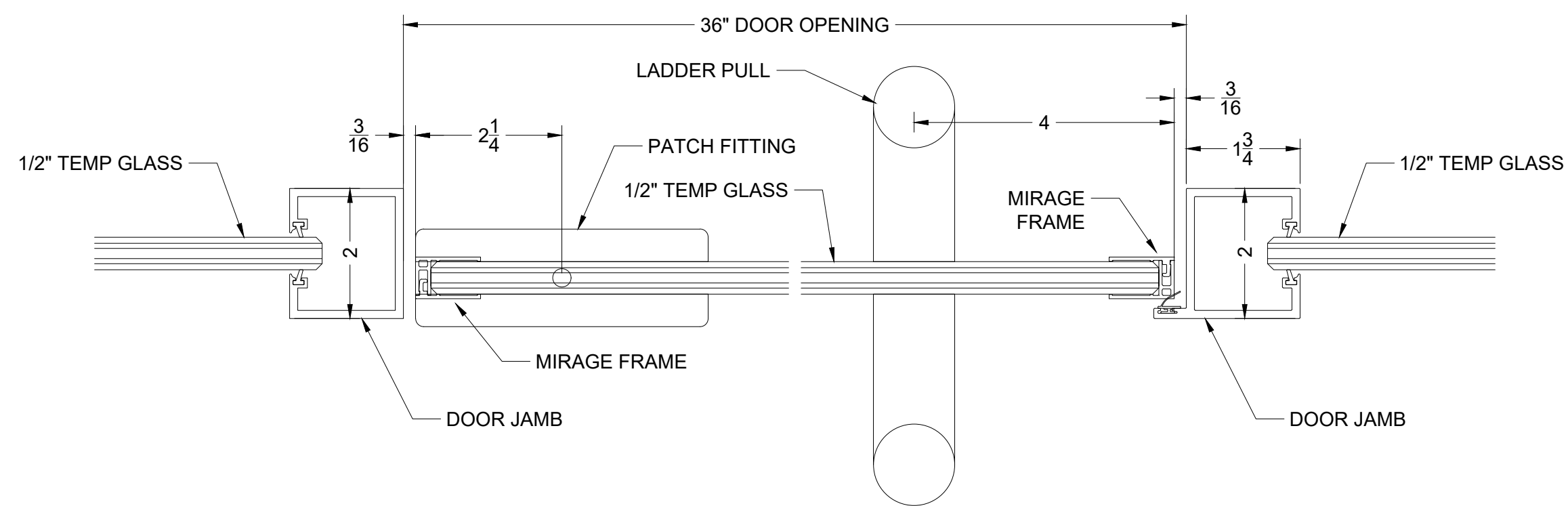
HEAD DETAIL @ SWING DOOR
6" = 1'-0" **G1**



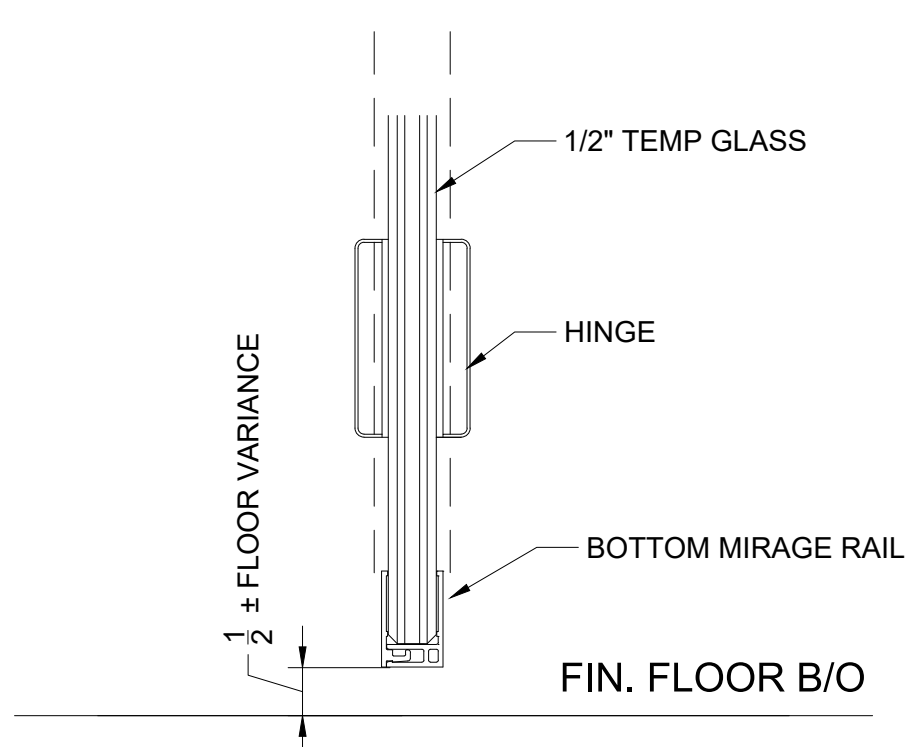
HEAD DETAIL @ SWING DOOR
6" = 1'-0" **G2**



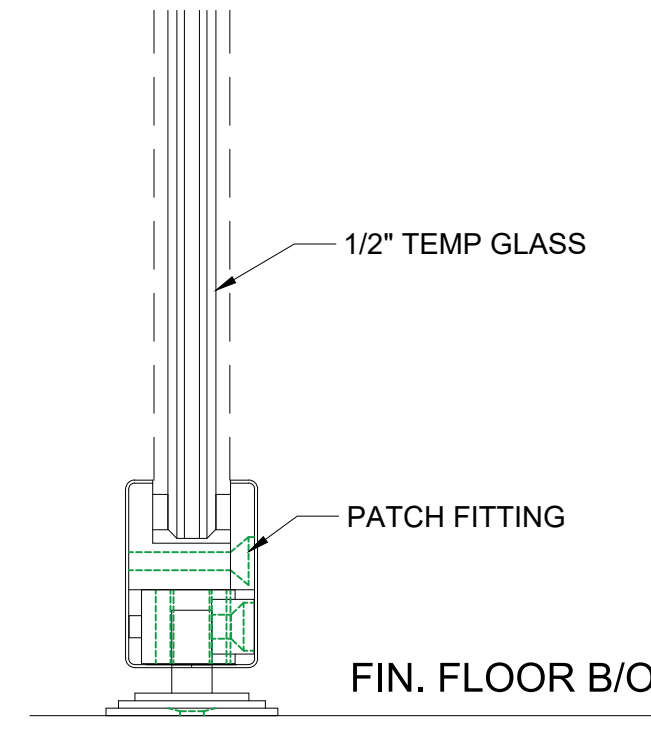
DETAIL@ ENCORE PIVOT DOOR
6" = 1'-0" **C3**



DETAIL@ ENCORE PIVOT DOOR
6" = 1'-0" **C4**



BOTTOM DETAIL @ SWING DOOR
6" = 1'-0" **H1**



BOTTOM DETAIL @ SWING DOOR
6" = 1'-0" **H2**

NOTES:

1. ALL DIMENSIONS ARE TO BE VERIFIED IN FIELD;
2. HEIGHTS MAY VARY ALONG FLOOR BASED ON FIELD CONDITION.
3. G.C. TO PROVIDE BLOCKING AT ALL THE WALL/HEADER WHERE POST/TRACK EXISTS;
4. GLASS TYPES:
THICKNESS: 3/8", 1/2", 5/8"
CLEAR TEMPERED
LOW IRON TEMPERED
CLEAR LAMINATED
ACOUSTIC LAMINATED
LOW IRON LAMINATED
5. FINISHES:
CLEAR ANODIZED
BLACK ANODIZED
POWDER COAT
BRUSHED SATIN
MEDIUM BRONZE
6. STD LEAD TIME: 3-5 WEEKS
7. CONTACT: info@tagwallny.com
estimating@tagwallny.com

TAGWALL

321 W. 44TH ST, SUITE 200 NY, NY 10036
212.354.9255 tagwallny.com

PROJECT:

SASH SYSTEM

DATE: 12/10/2020

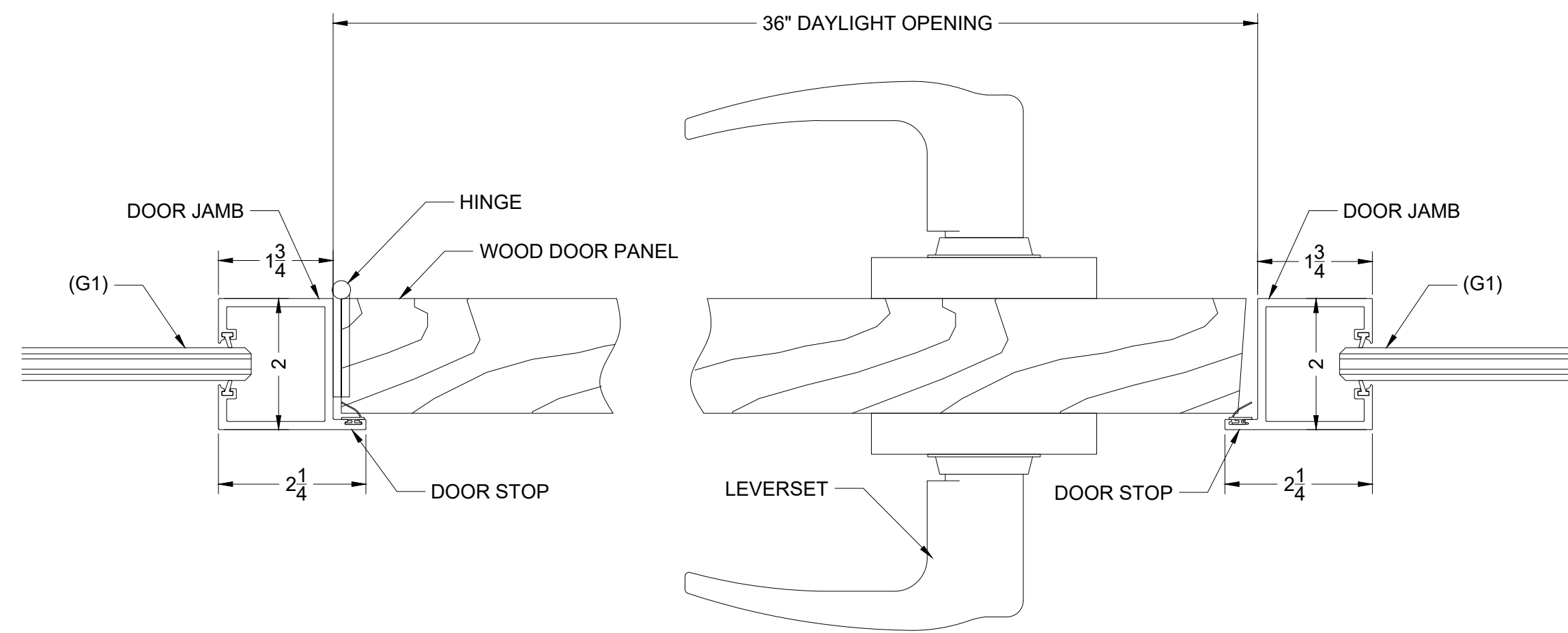
SCALE: 6" = 1'-0"

DRAWING No.

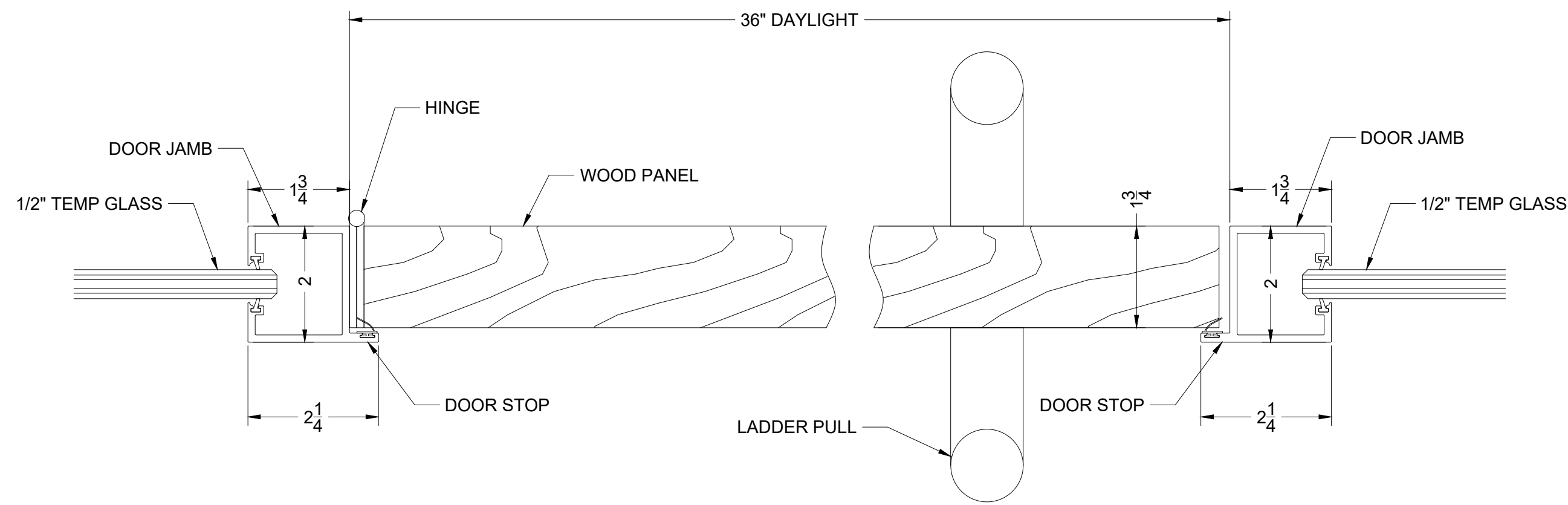
DRAWING TITLE:

DETAILS

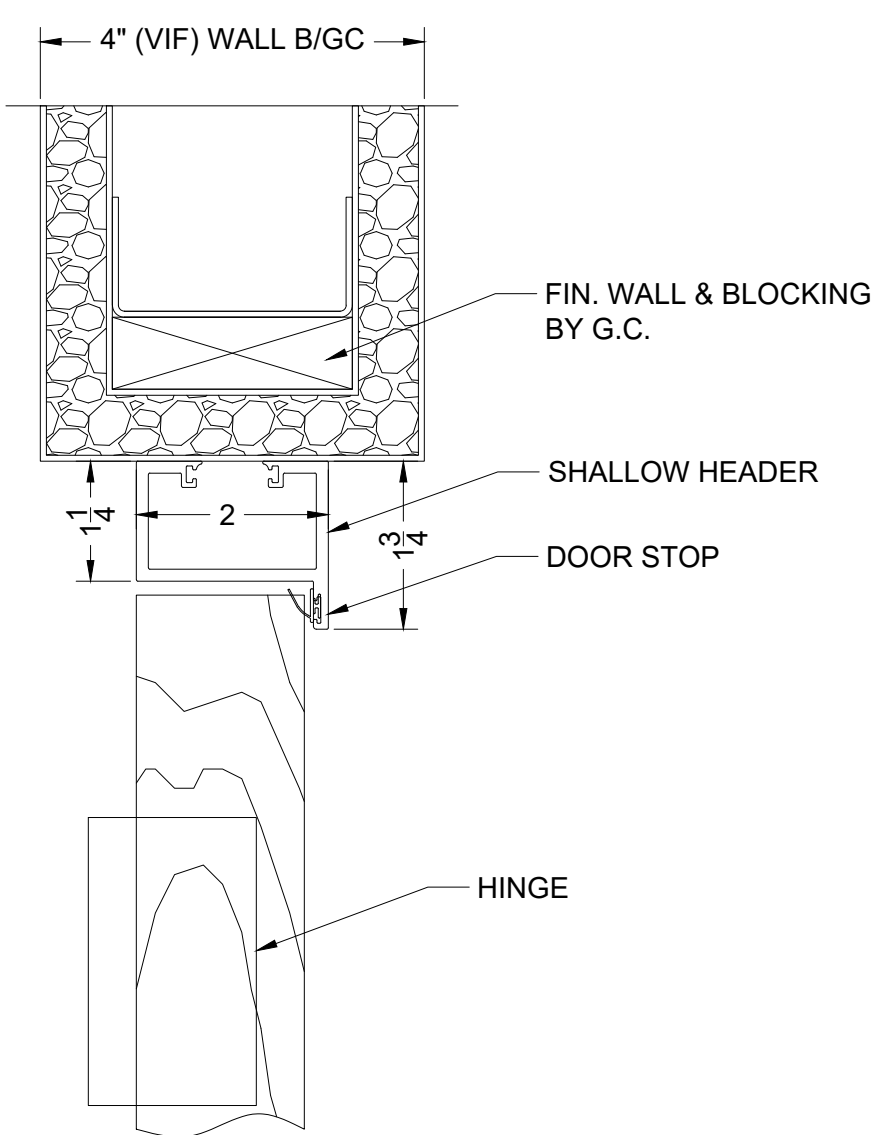
D-4



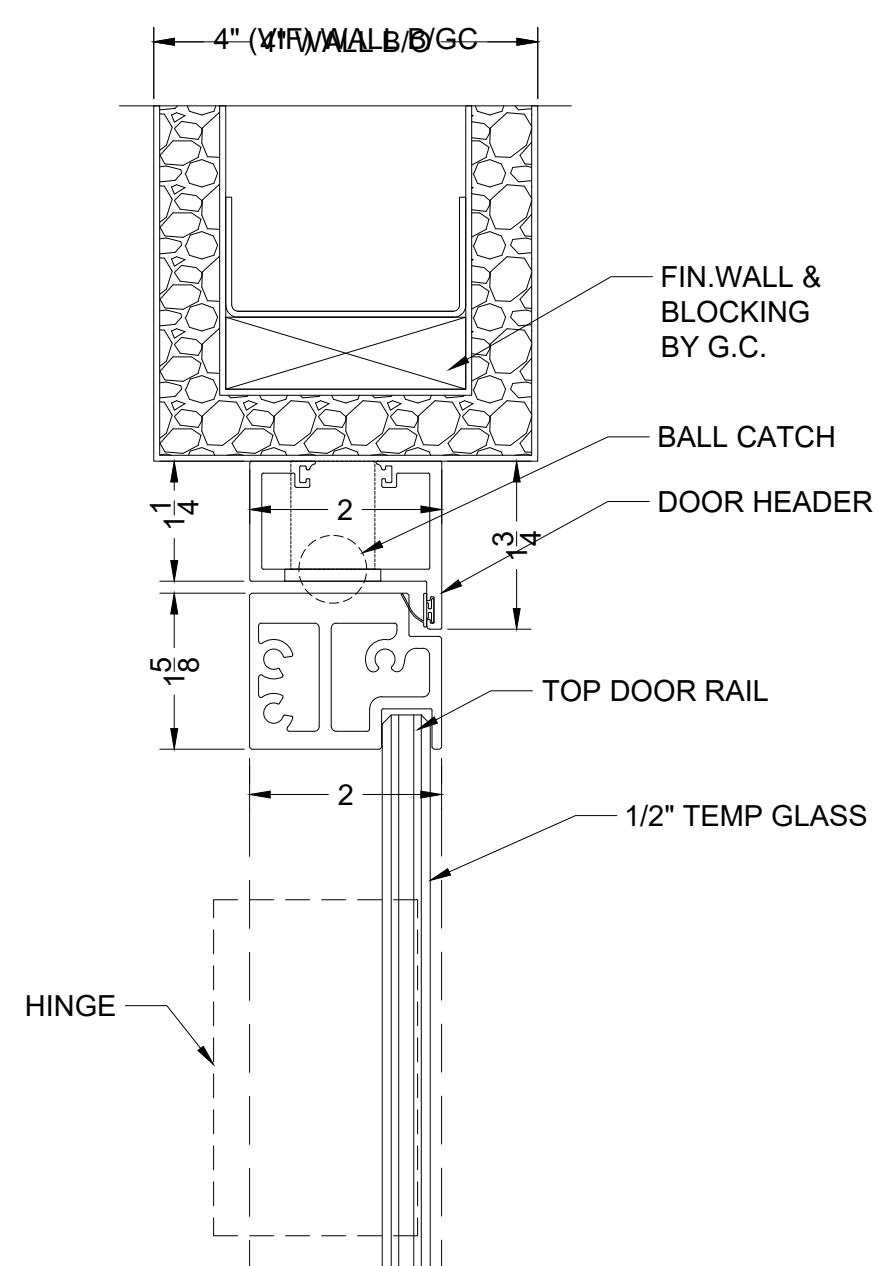
DETAIL @ HINGE WOOD DOOR & JAMB
6" = 1'-0" **C5**



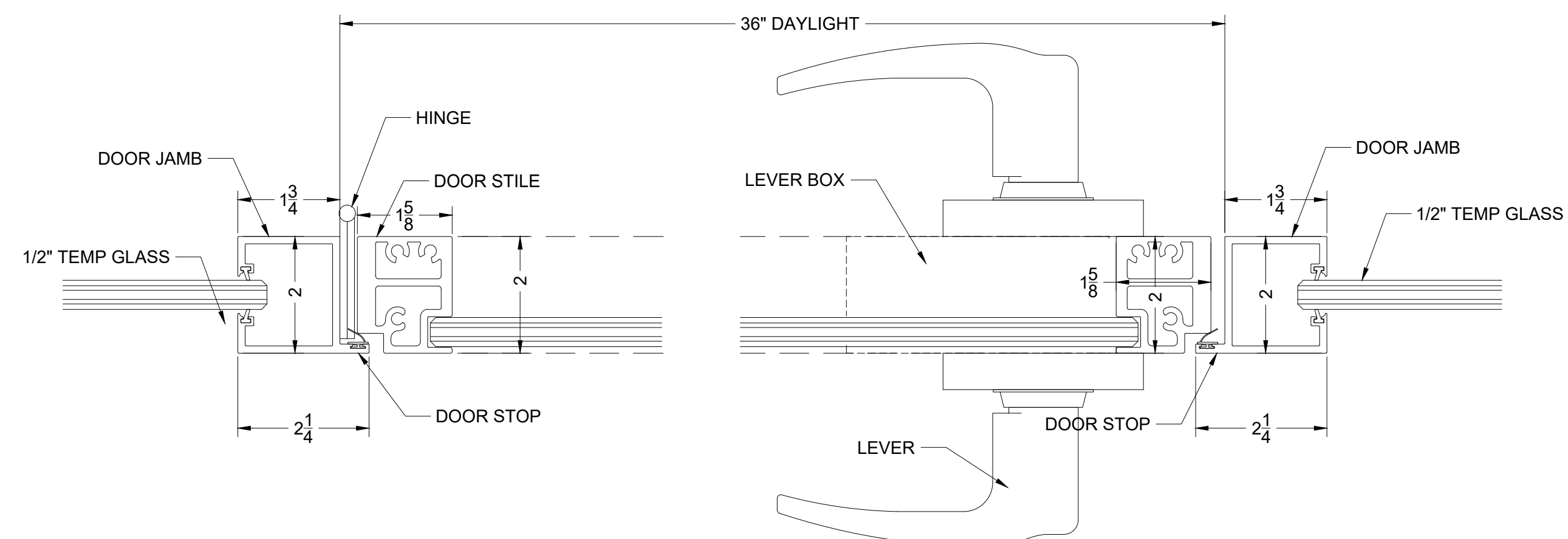
DETAIL @ ENCORE HINGE WOOD DOOR JAMB / STRIKE
6" = 1'-0" **C6**



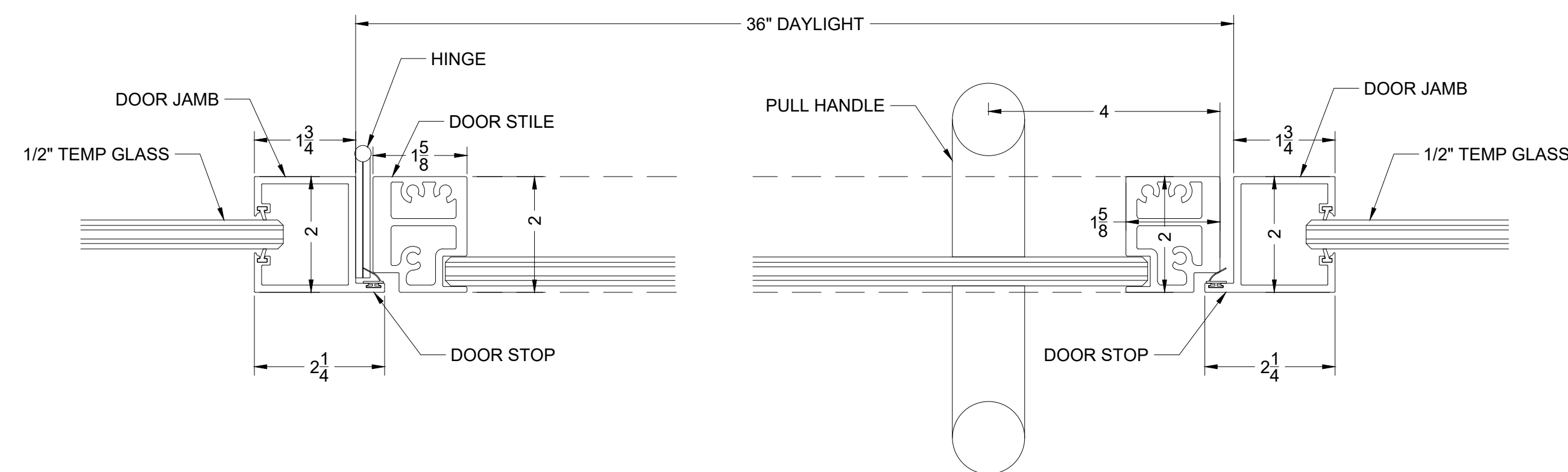
HEAD DETAIL @ WOOD SWING DOOR
6" = 1'-0" **G3**



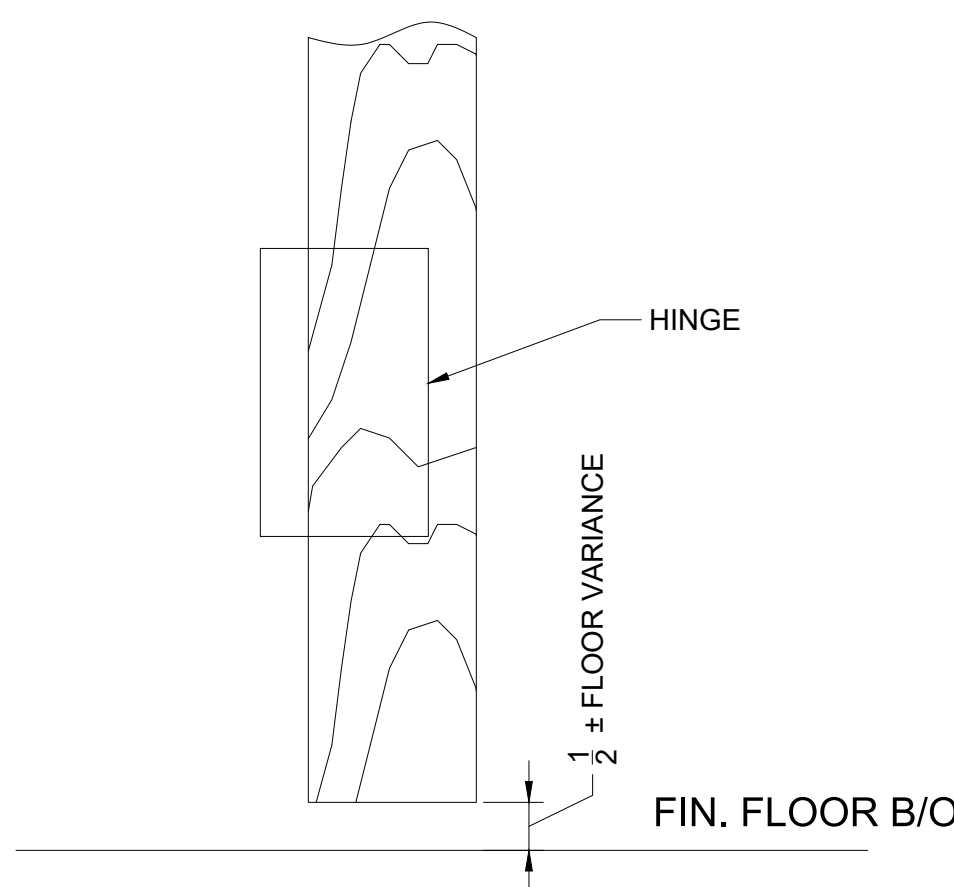
HEAD DETAIL @ FRAMED SWING DOOR
6" = 1'-0" **G4**



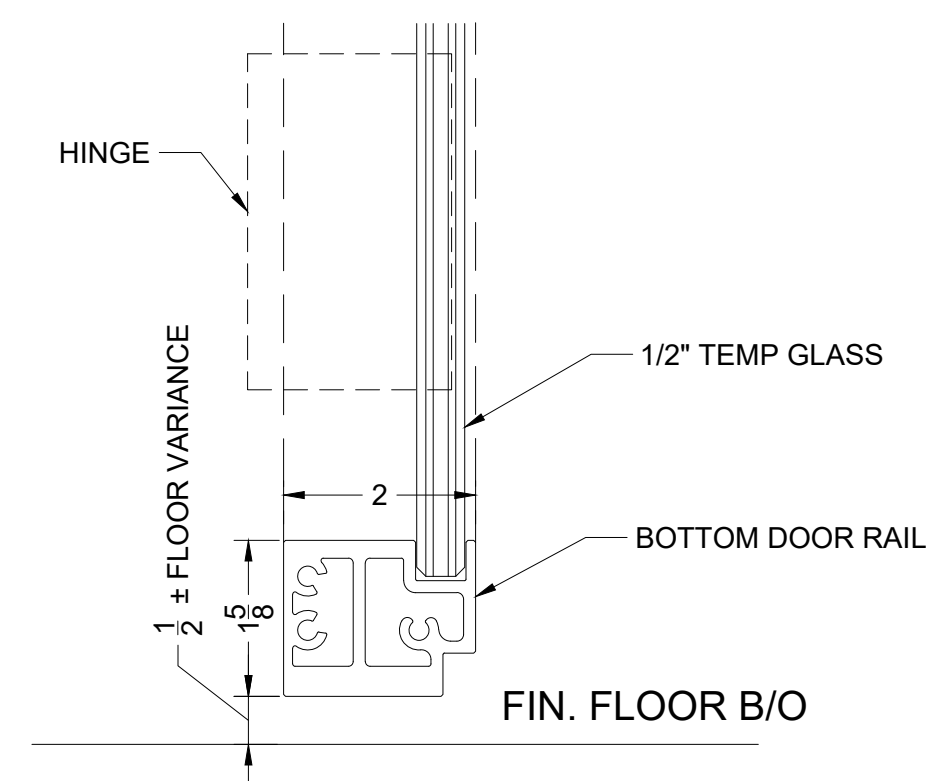
DETAIL @ FRAMED GLASS DOOR JAMB / STRIKE
6" = 1'-0" **C7**



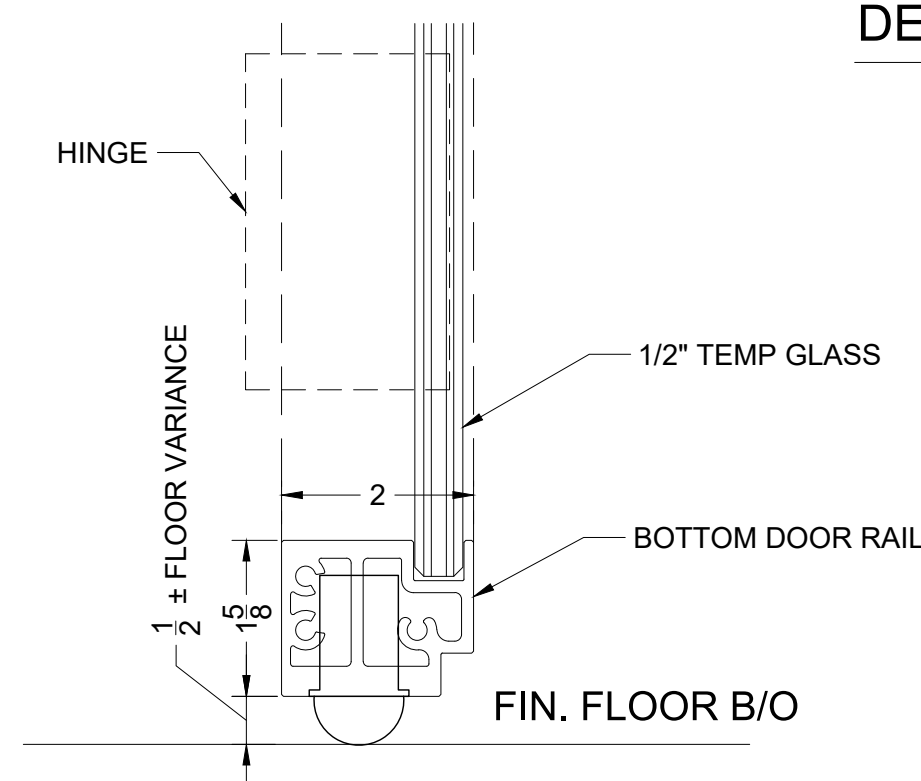
DETAIL @ HINGE FRAMED GLASS DOOR/JAMB
6" = 1'-0" **C8**



BOTTOM DETAIL @ WOOD SWING DOOR
6" = 1'-0" **H3**



BOTTOM DETAIL @ FRAMED SWING DOOR
6" = 1'-0" **H4**



BOTTOM DETAIL @ FRAMED SWING DOOR
6" = 1'-0" **H4A**

NOTES:

1. ALL DIMENSIONS ARE TO BE VERIFIED IN FIELD;
2. HEIGHTS MAY VARY ALONG FLOOR BASED ON FIELD CONDITION.
3. G.C. TO PROVIDE BLOCKING AT ALL THE WALL/HEADER WHERE POST/TRACK EXISTS;
4. GLASS TYPES:
THICKNESS: 3/8", 1/2", 5/8"
CLEAR TEMPERED
LOW IRON TEMPERED
CLEAR LAMINATED
ACOUSTIC LAMINATED
LOW IRON LAMINATED
5. FINISHES:
CLEAR ANODIZED
BLACK ANODIZED
POWDER COAT
BRUSHED SATIN
MEDIUM BRONZE
6. STD LEAD TIME: 3-5 WEEKS
7. CONTACT: info@tagwallny.com
estimating@tagwallny.com

TAGWALL

321 W. 44TH ST, SUITE 200 NY, NY 10036
212.354.9255 tagwallny.com

PROJECT:

SASH SYSTEM

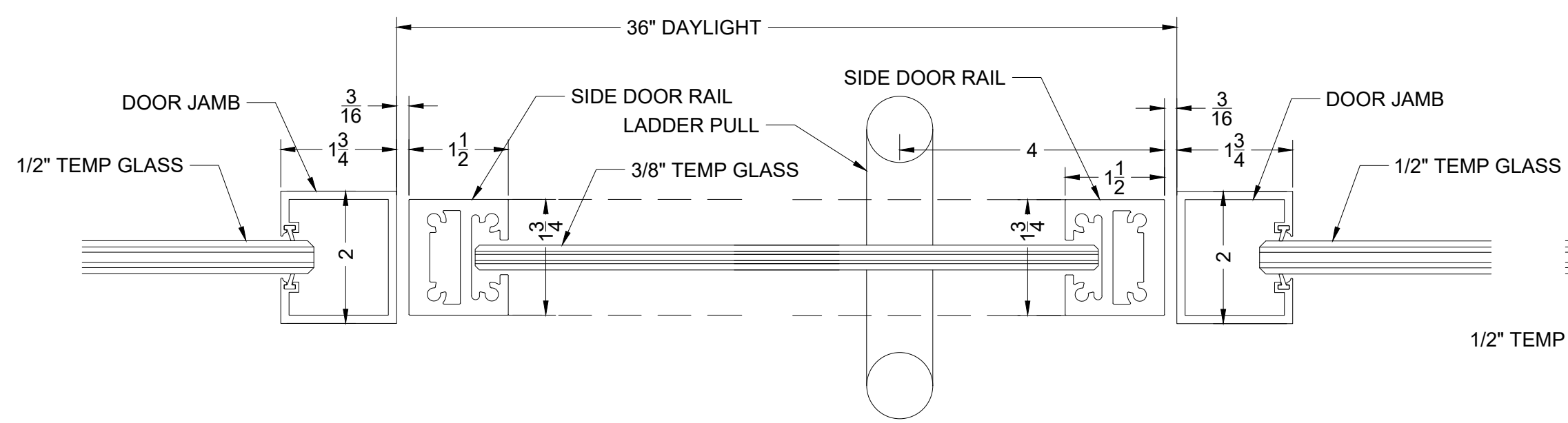
DATE: 12/10/2020

SCALE: 6" = 1'-0"

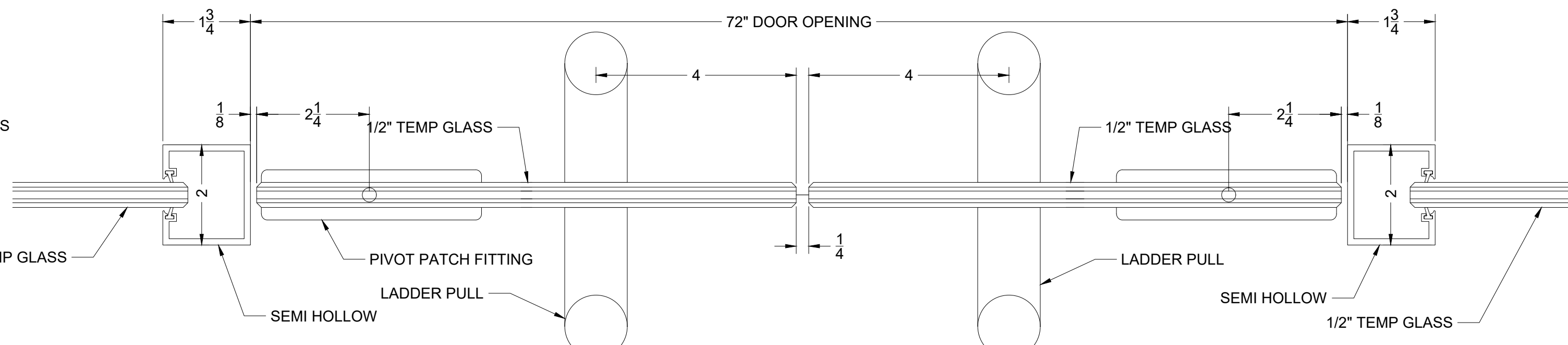
DRAWING No.

DETAILS

D-5



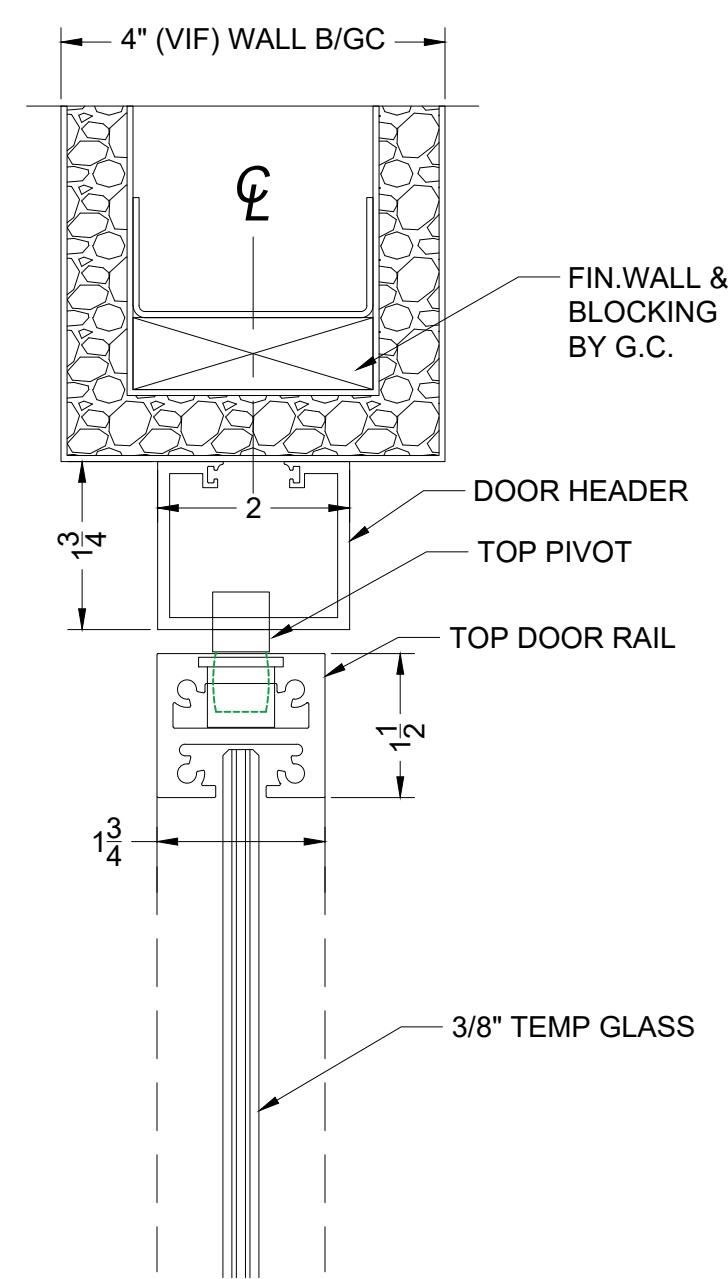
DETAIL @ FRAMED CENTER PIVOT GLASS DOOR/JAMB
6" = 1'-0" **C9**



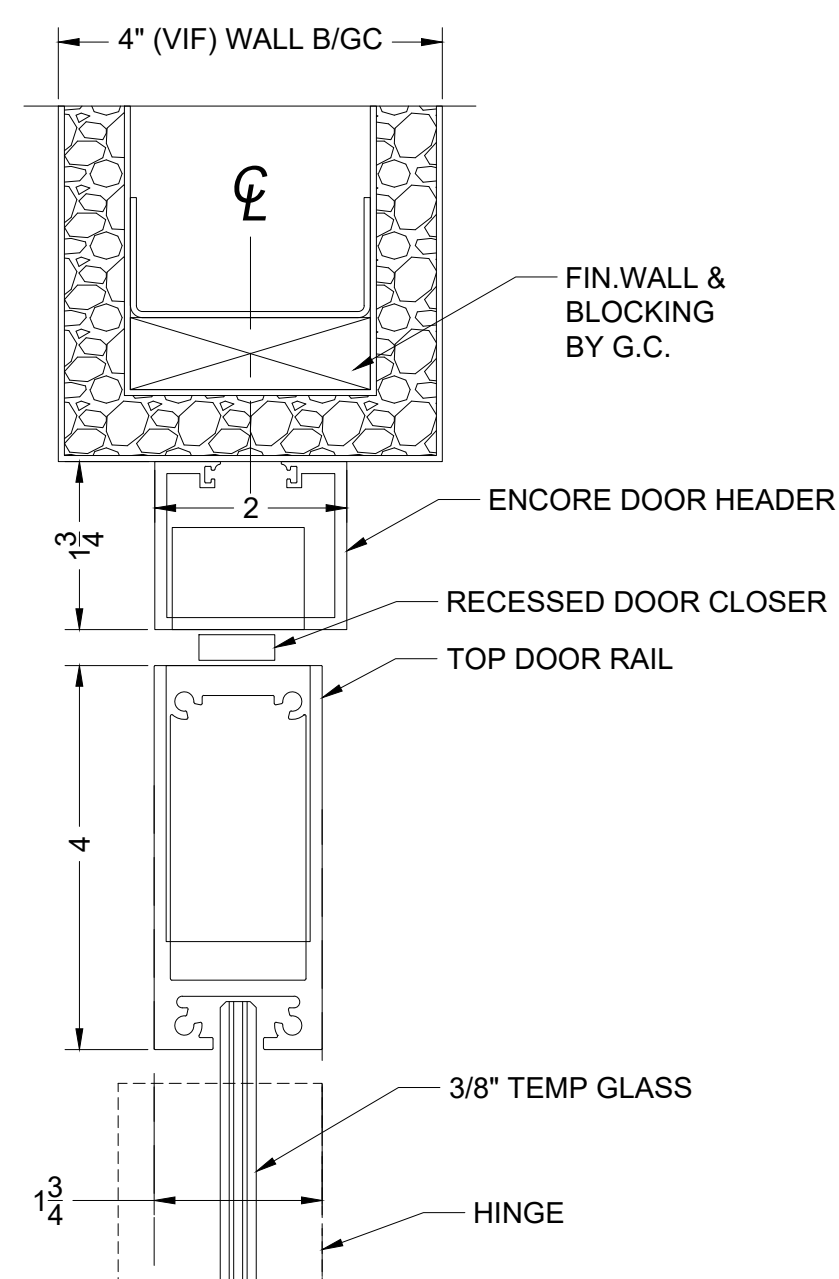
DETAIL @ ENCORE CENTER PIVOT DOUBLE DOOR
6" = 1'-0" **C10**

NOTES:

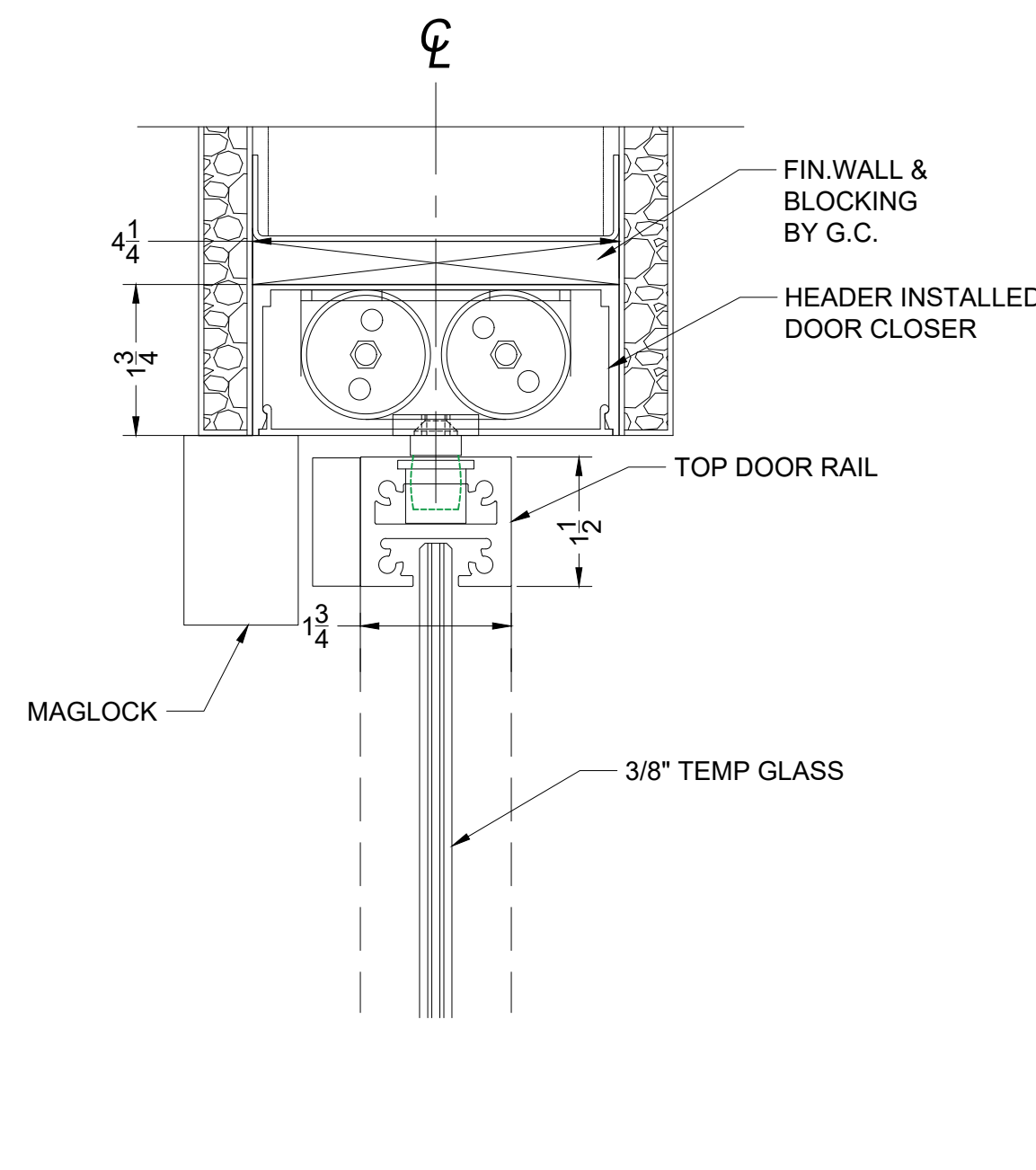
1. ALL DIMENSIONS ARE TO BE VERIFIED IN FIELD;
2. HEIGHTS MAY VARY ALONG FLOOR BASED ON FIELD CONDITION.
3. G.C. TO PROVIDE BLOCKING AT ALL THE WALL/HEADER WHERE POST/TRACK EXISTS;
4. GLASS TYPES:
THICKNESS: 3/8", 1/2", 5/8"
CLEAR TEMPERED
LOW IRON TEMPERED
CLEAR LAMINATED
ACOUSTIC LAMINATED
LOW IRON LAMINATED
5. FINISHES:
CLEAR ANODIZED
BLACK ANODIZED
POWDER COAT
BRUSHED SATIN
MEDIUM BRONZE
6. STD LEAD TIME: 3-5 WEEKS
7. CONTACT: info@tagwallny.com
estimating@tagwallny.com



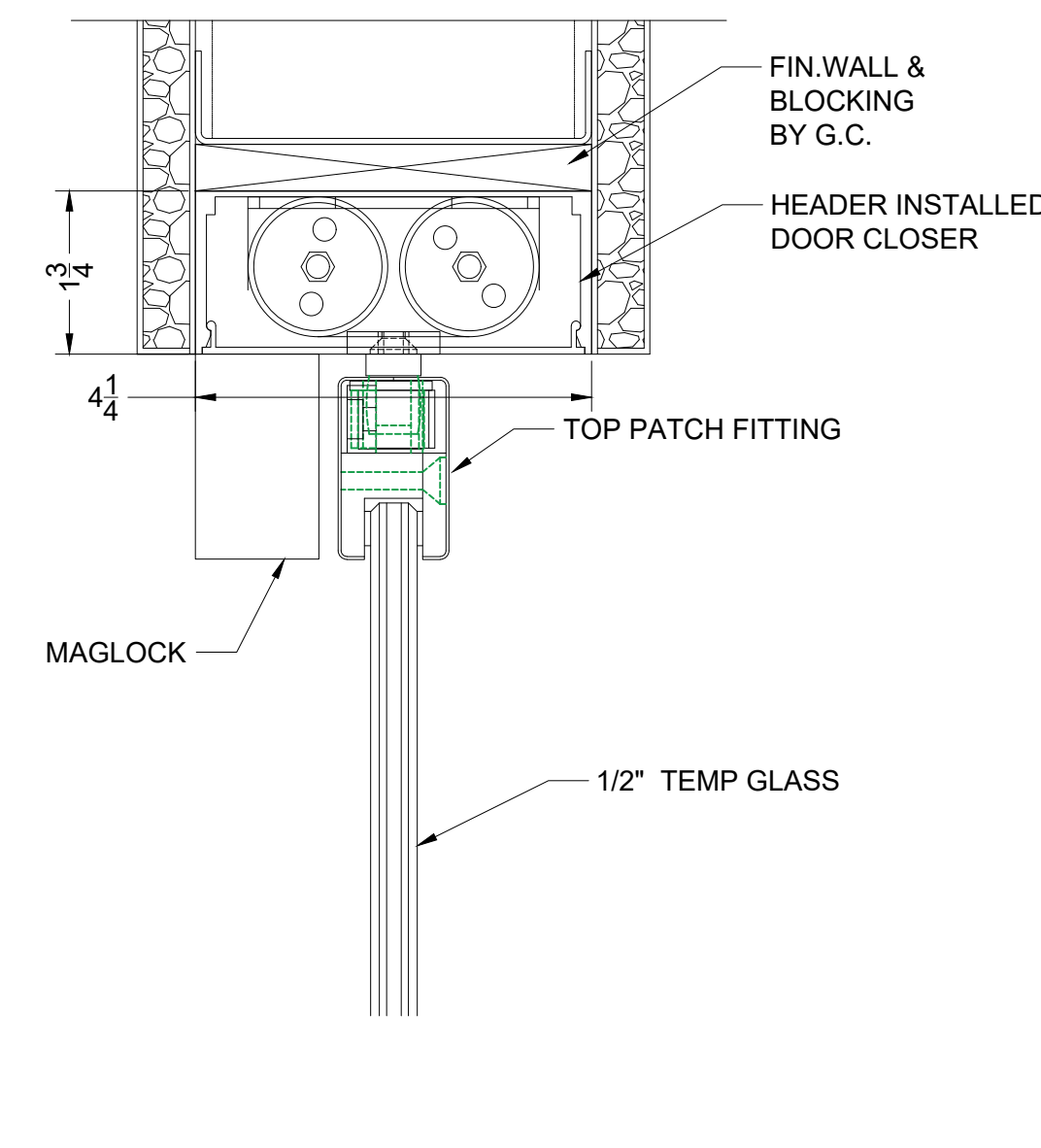
HEAD DETAIL @ FRAMED SWING DOOR
6" = 1'-0" **G5**



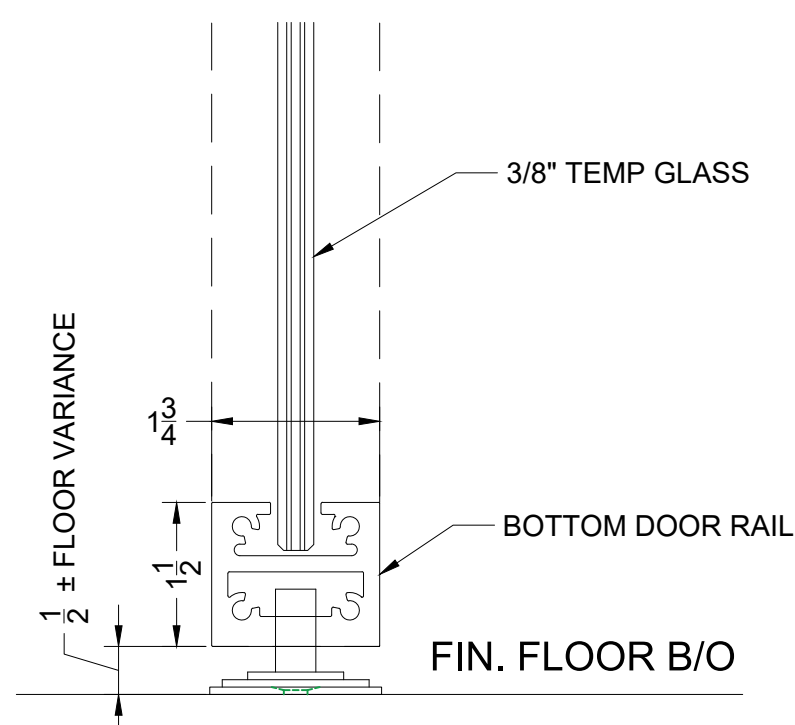
HEAD DETAIL @ FRAMED SWING DOOR
6" = 1'-0" **G6**



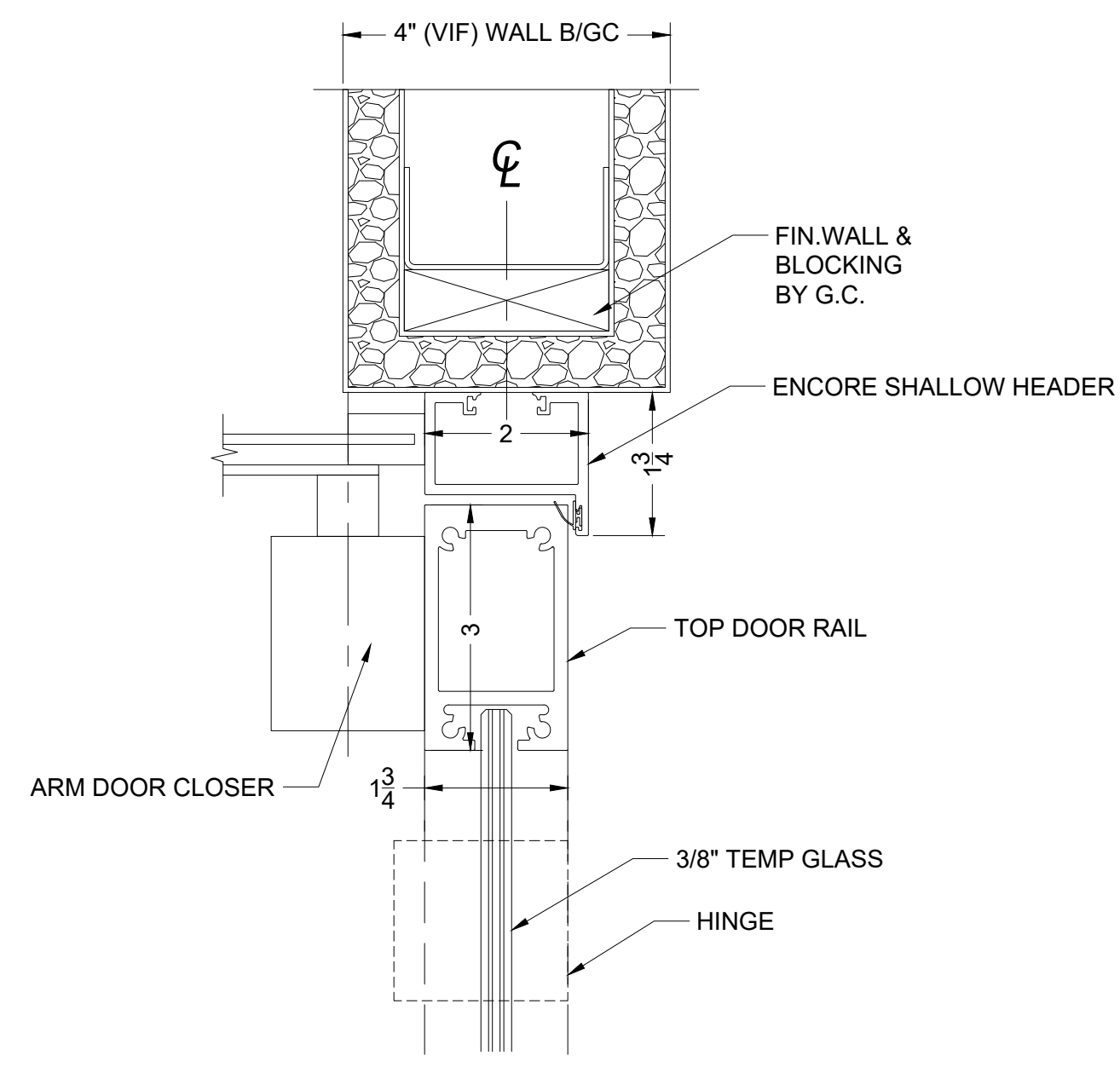
HEAD DETAIL @ FRAMED SWING DOOR
6" = 1'-0" **G8**



HEAD DETAIL @ SWING DOOR
6" = 1'-0" **G9**



BOTTOM DETAIL @ FRAMED SWING DOOR
6" = 1'-0" **H5**



HEAD DETAIL @ FRAMED SWING DOOR
6" = 1'-0" **G7**

TAGWALL

321 W. 44TH ST, SUITE 200 NY, NY 10036
212.354.9255 tagwallny.com

PROJECT:

SASH SYSTEM

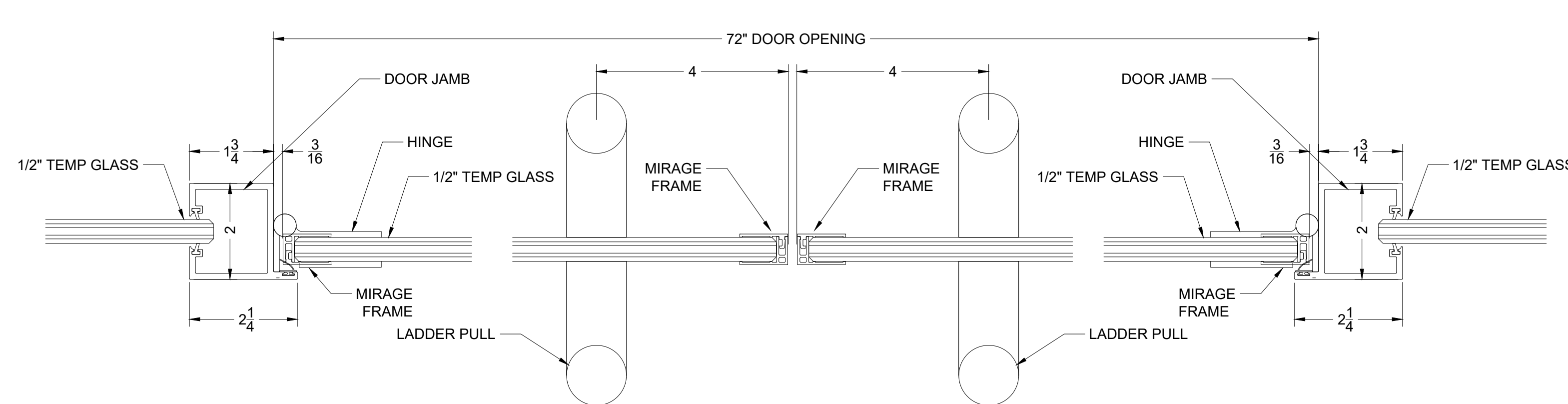
DATE: 12/10/2020

SCALE: 6" = 1'-0"

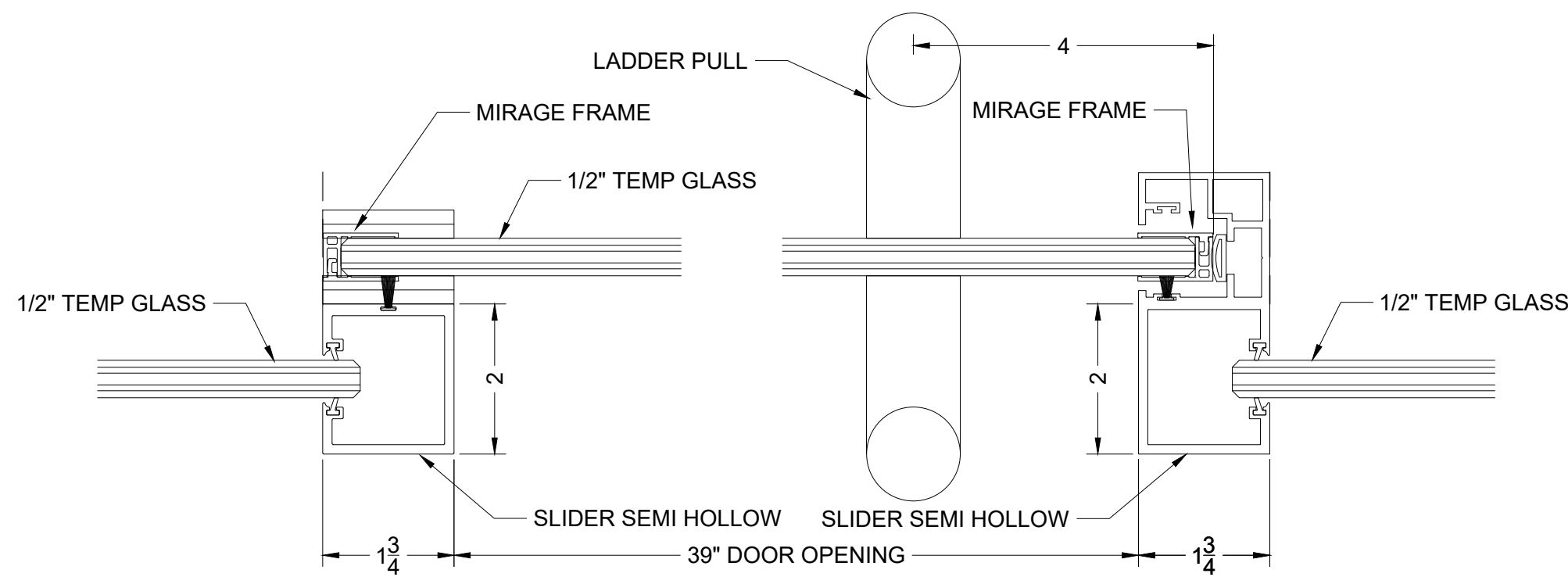
DRAWING No.

DRAWING TITLE:
DETAILS

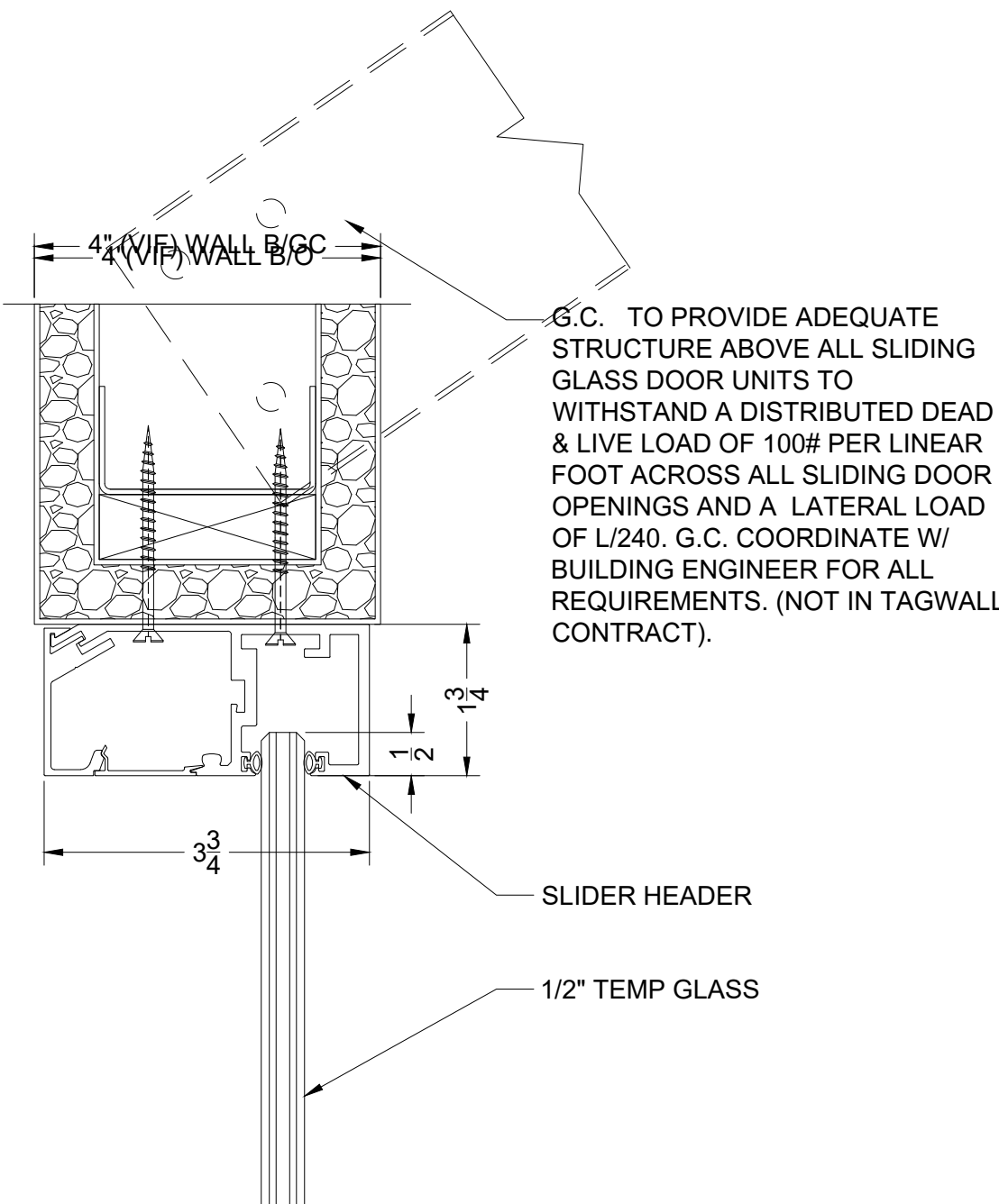
D-6



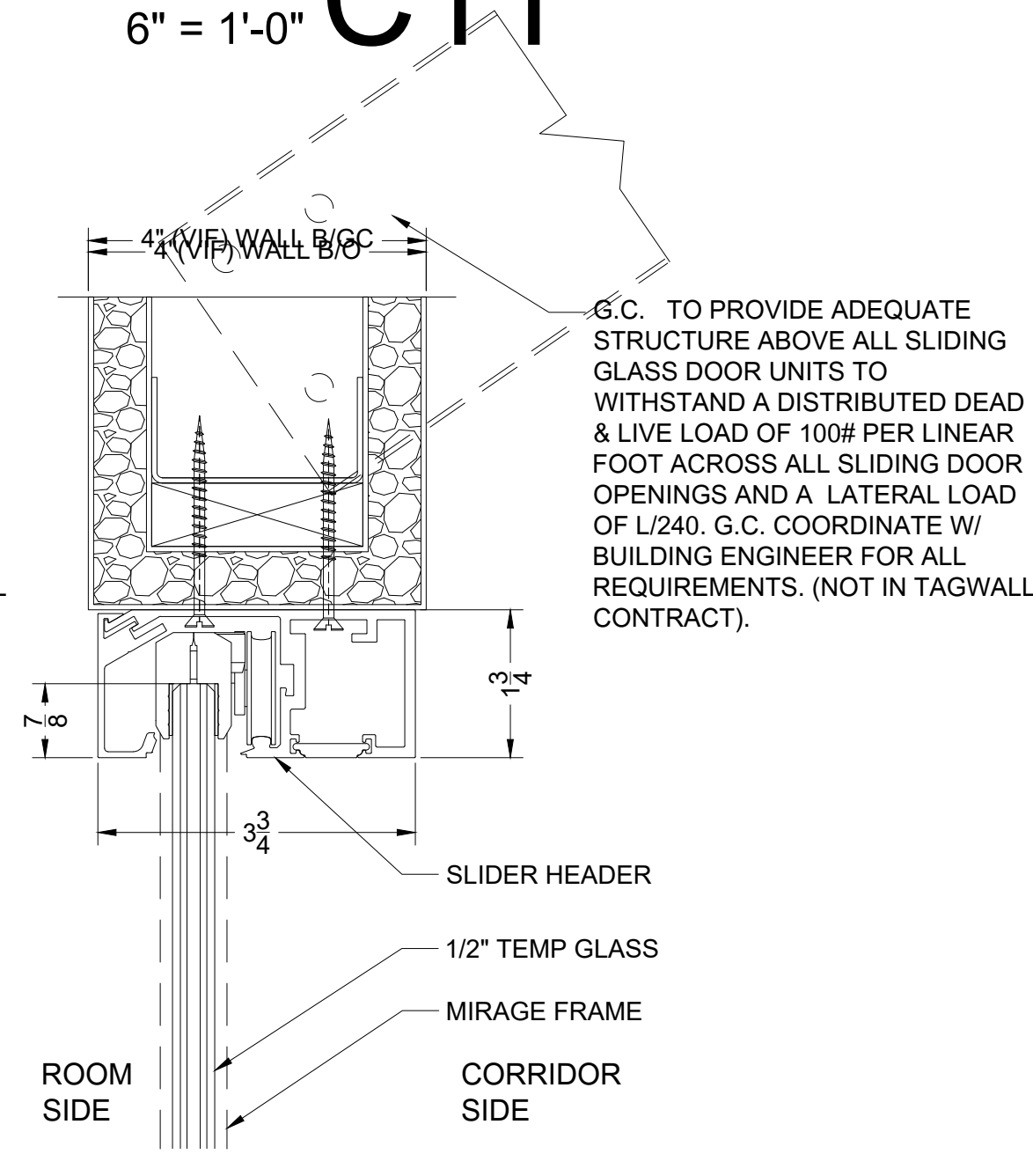
DETAIL @ SWING DOOR
6" = 1'-0" **C11**



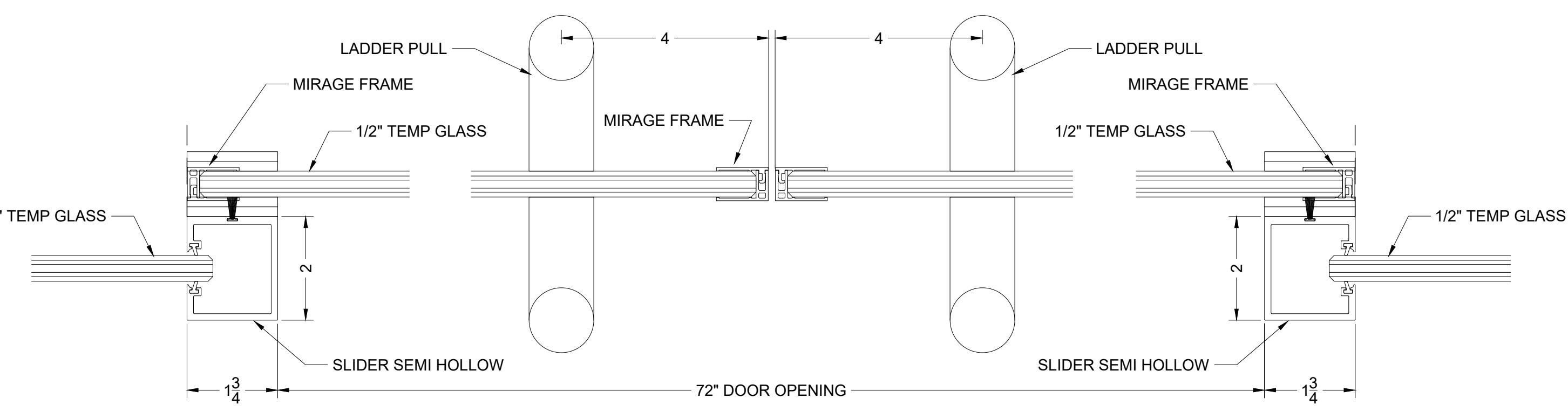
DETAIL @ SLIDING DOOR
6" = 1'-0" **S3**



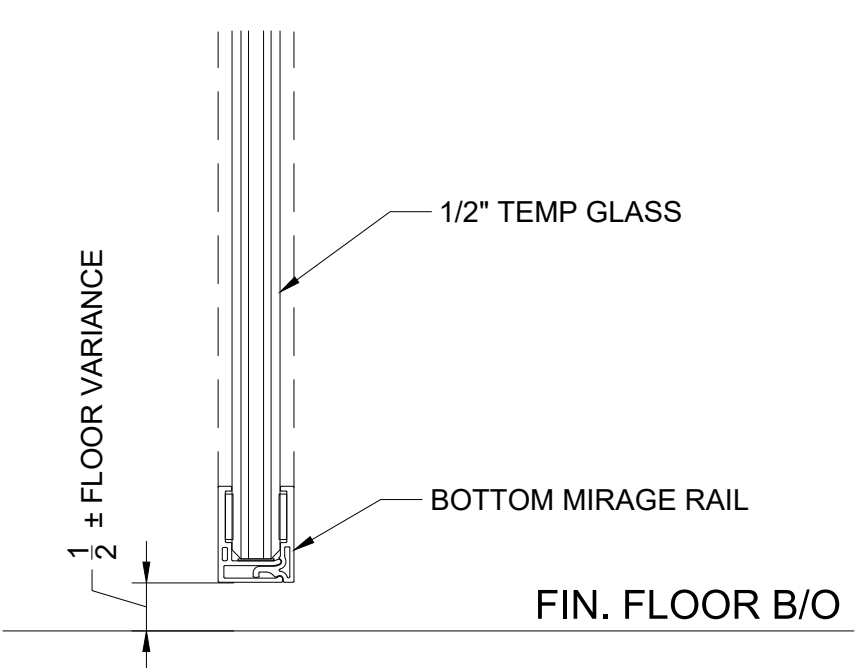
HEAD DETAIL @ FIXED PANEL
6" = 1'-0" **E7**



HEAD DETAIL @ SLIDING DOOR
6" = 1'-0" **G10**



DETAIL @ SLIDING DOOR
6" = 1'-0" **S4**



BOTTOM DETAIL @ SLIDER GUIDE
6" = 1'-0" **H6**

- NOTES:
1. ALL DIMENSIONS ARE TO BE VERIFIED IN FIELD;
 2. HEIGHTS MAY VARY ALONG FLOOR BASED ON FIELD CONDITION.
 3. G.C. TO PROVIDE BLOCKING AT ALL THE WALL/HEADER WHERE POST/TRACK EXISTS;
 4. GLASS TYPES:
THICKNESS: 3/8", 1/2", 5/8"
CLEAR TEMPERED
LOW IRON TEMPERED
CLEAR LAMINATED
ACOUSTIC LAMINATED
LOW IRON LAMINATED
 5. FINISHES:
CLEAR ANODIZED
BLACK ANODIZED
POWDER COAT
BRUSHED SATIN
MEDIUM BRONZE
 6. STD LEAD TIME: 3-5 WEEKS
 7. CONTACT: info@tagwallny.com
estimating@tagwallny.com

TAGWALL

321 W. 44TH ST, SUITE 200 NY, NY 10036
212.354.9255 tagwallny.com

PROJECT:
SASH SYSTEM

DATE: 12/10/2020	SCALE: 6" = 1'-0"	DRAWING No.
DRAWING TITLE: DETAILS		D-7