

- NOTES:
1. ALL DIMENSIONS ARE TO BE VERIFIED IN FIELD;
 2. HEIGHTS MAY VARY ALONG FLOOR BASED ON FIELD CONDITION.
 3. G.C. TO PROVIDE BLOCKING AT ALL THE WALL/HEADER WHERE POST/TRACK EXISTS;
 4. GLASS TYPES:
THICKNESS: 3/8", 1/2", 5/8"
CLEAR TEMPERED
LOW IRON TEMPERED
CLEAR LAMINATED
 5. FINISHES:
CLEAR ANODIZED
BLACK ANODIZED
POWDER COAT
BRUSHED SATIN
MEDIUM BRONZE
 6. STD LEAD TIME: 6 WEEKS
 7. CONTACT: info@tagwallny.com
estimating@tagwallny.com

TAGWALL

321 W. 44TH ST, SUITE 200 NY, NY 10036
212.354.9255 tagwallny.com

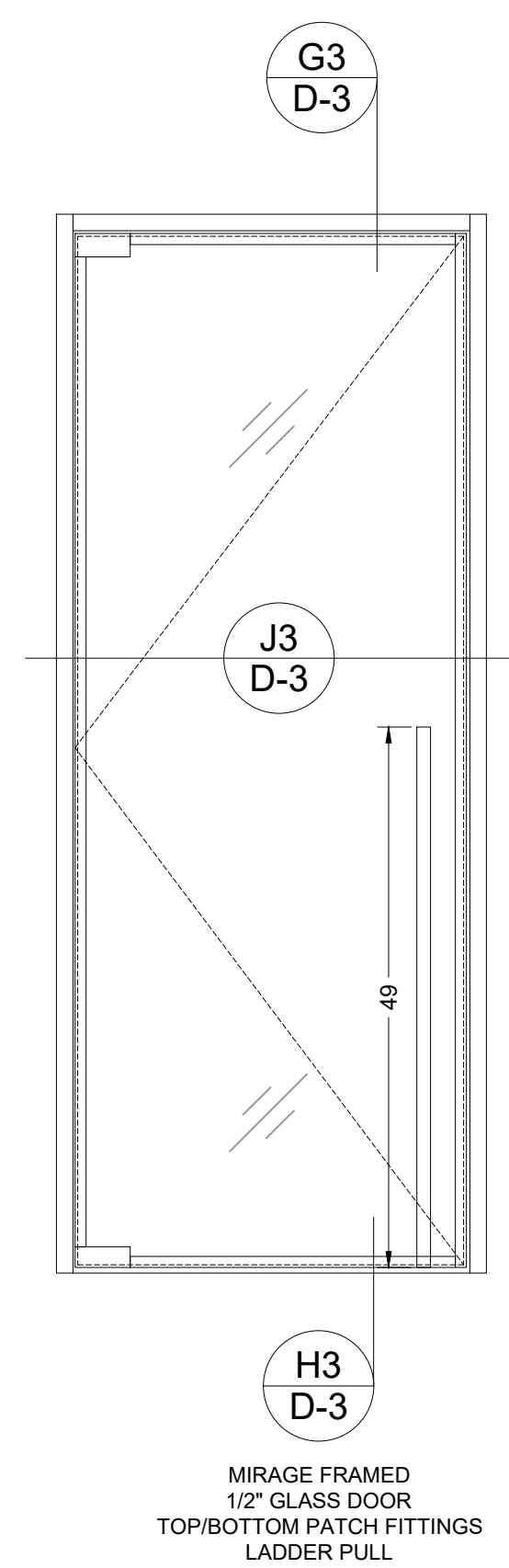
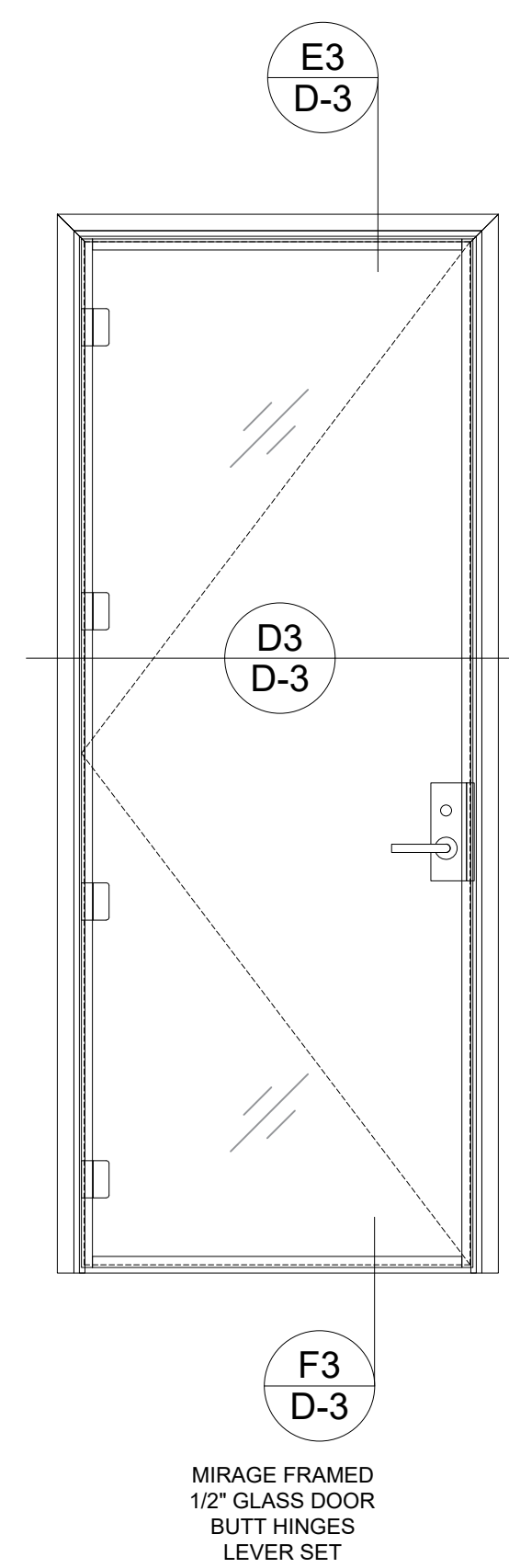
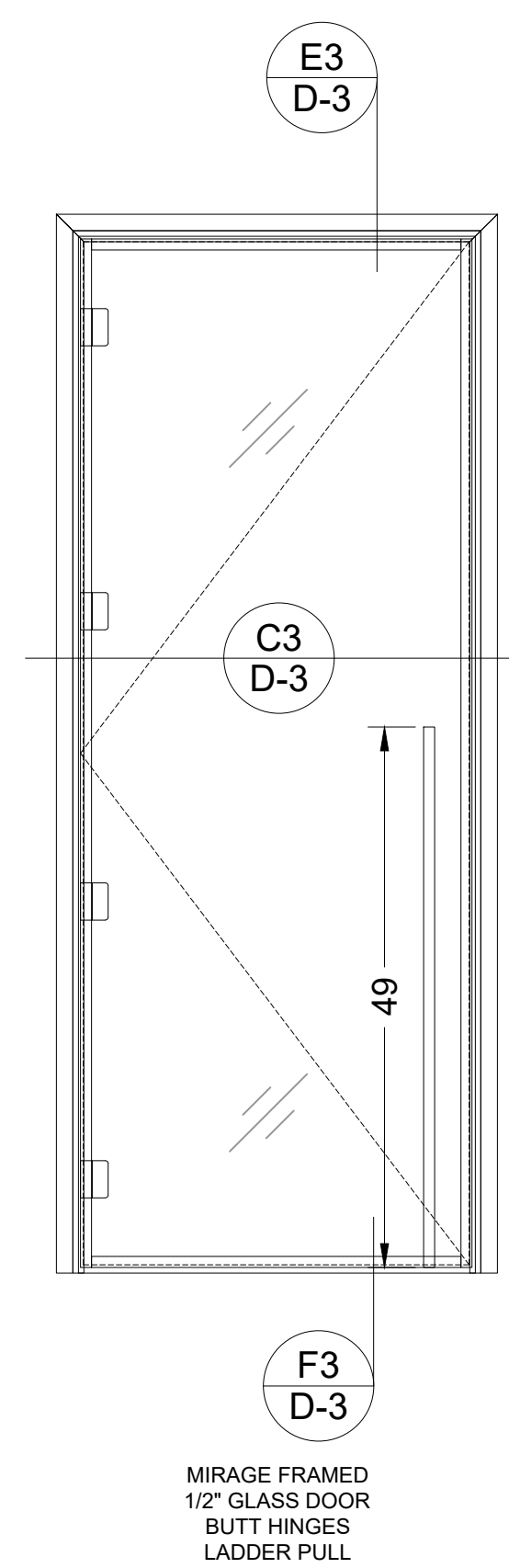
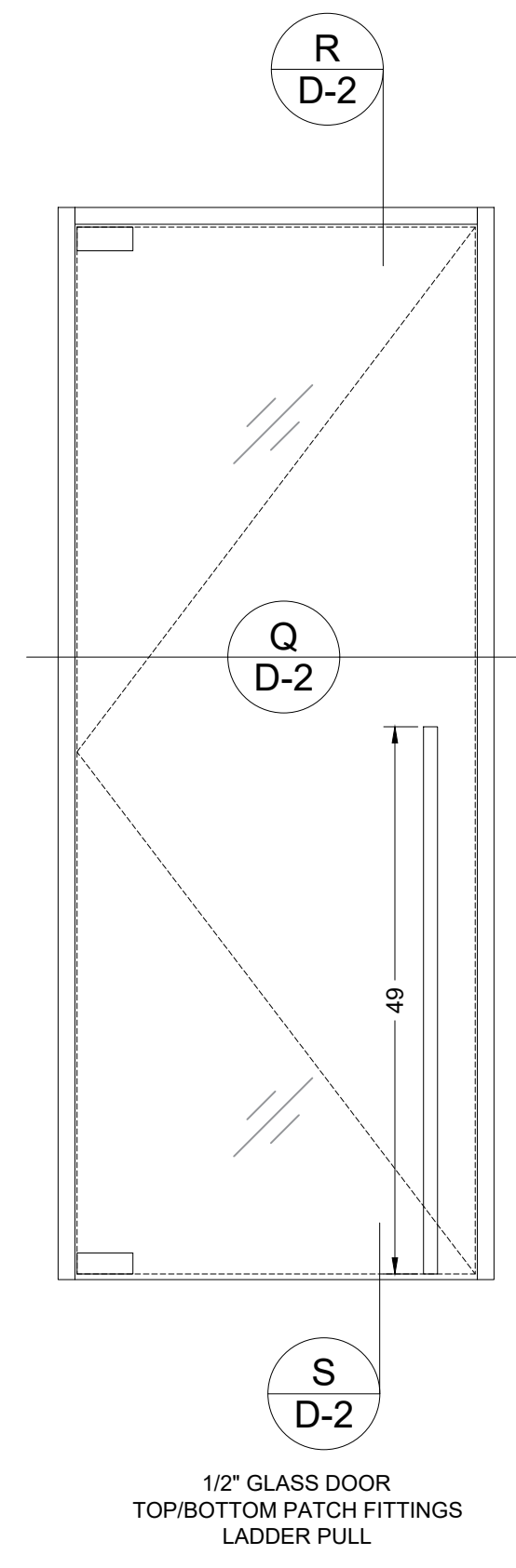
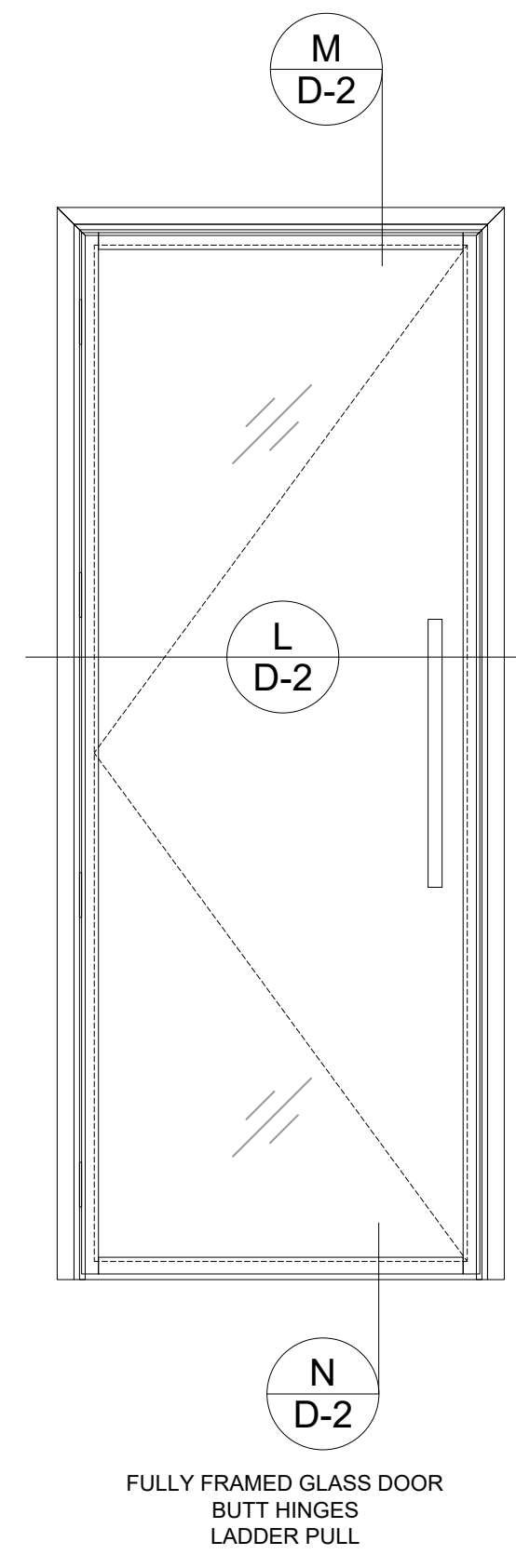
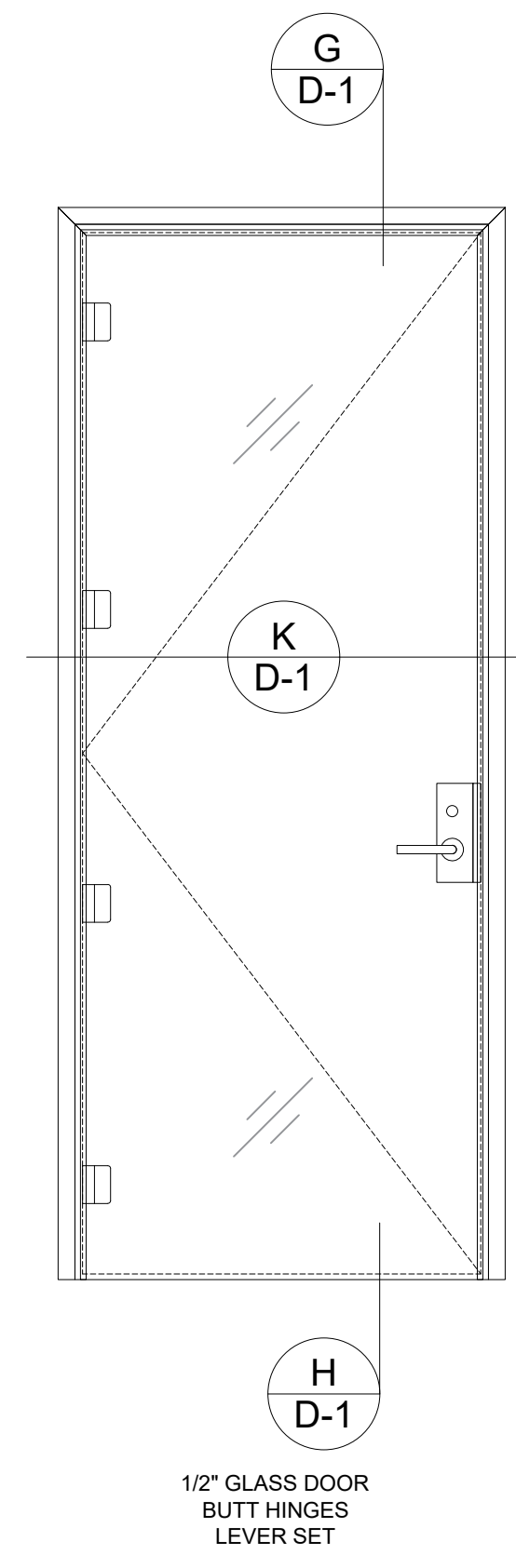
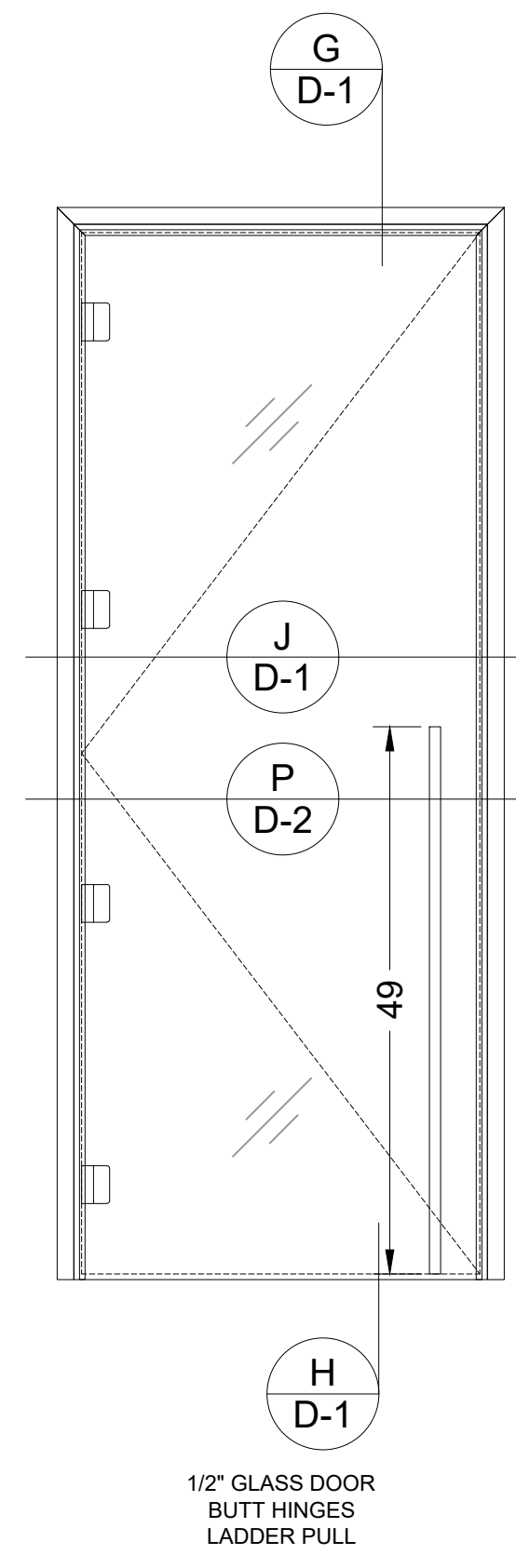
PROJECT:

ION SYSTEM

DATE: 11/24/2020 SCALE: 3/4" = 1'-0" DRAWING No.

DRAWING TITLE: ELEVATIONS

E-1



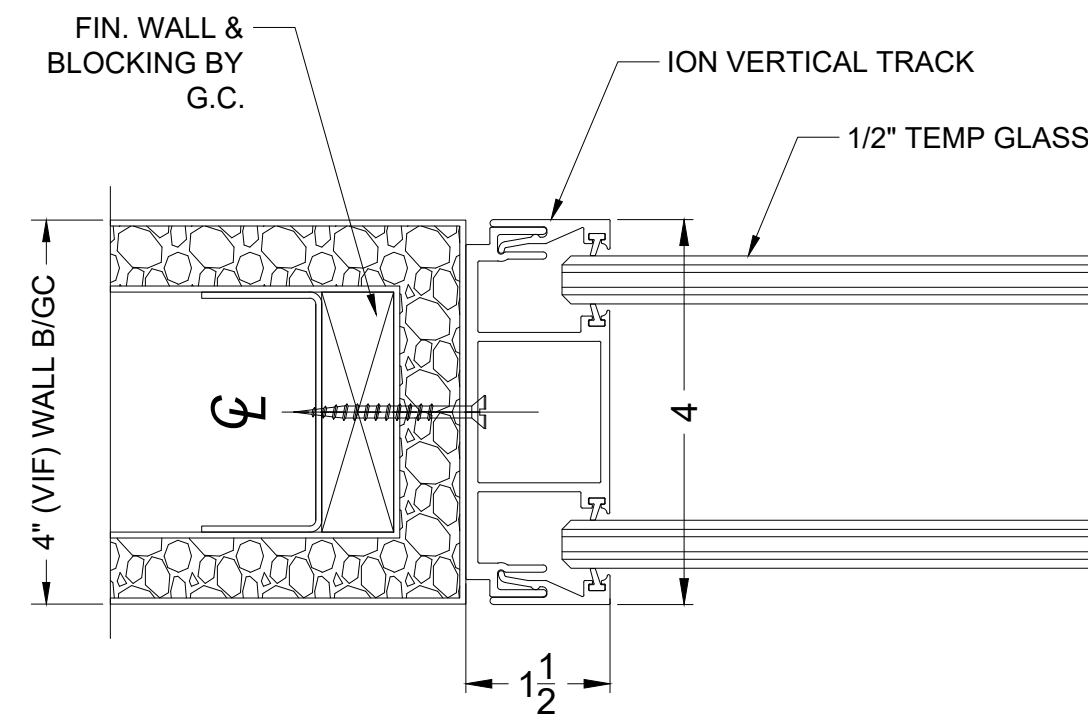
- NOTES:
1. ALL DIMENSIONS ARE TO BE VERIFIED IN FIELD;
 2. HEIGHTS MAY VARY ALONG FLOOR BASED ON FIELD CONDITION.
 3. G.C. TO PROVIDE BLOCKING AT ALL THE WALL/HEADER WHERE POST/TRACK EXISTS;
 4. GLASS TYPES:
THICKNESS: 3/8", 1/2", 5/8"
CLEAR TEMPERED
LOW IRON TEMPERED
CLEAR LAMINATED
 5. FINISHES:
CLEAR ANODIZED
BLACK ANODIZED
POWDER COAT
BRUSHED SATIN
MEDIUM BRONZE
 6. STD LEAD TIME: 6 WEEKS
 7. CONTACT: info@tagwallny.com
estimating@tagwallny.com

TAGWALL

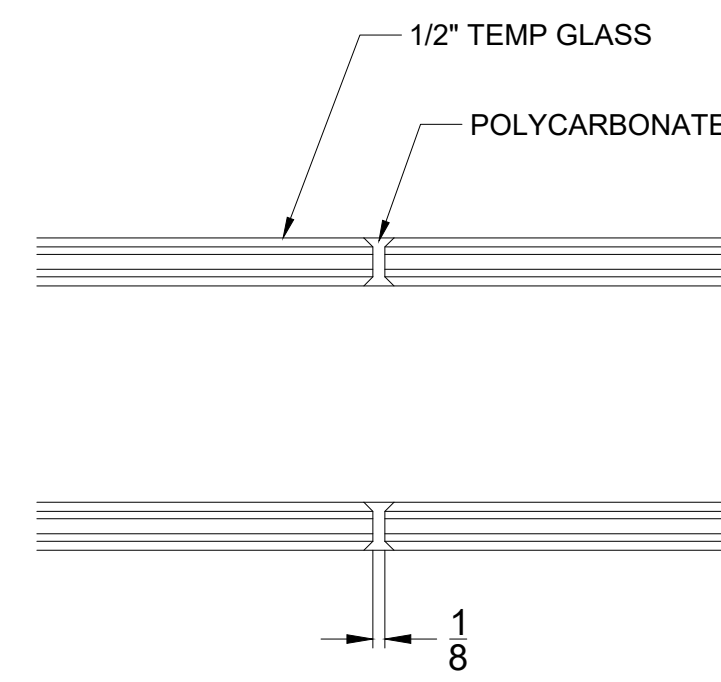
321 W. 44TH ST, SUITE 200 NY, NY 10036
212.354.9255 tagwallny.com

PROJECT:
ION SYSTEM

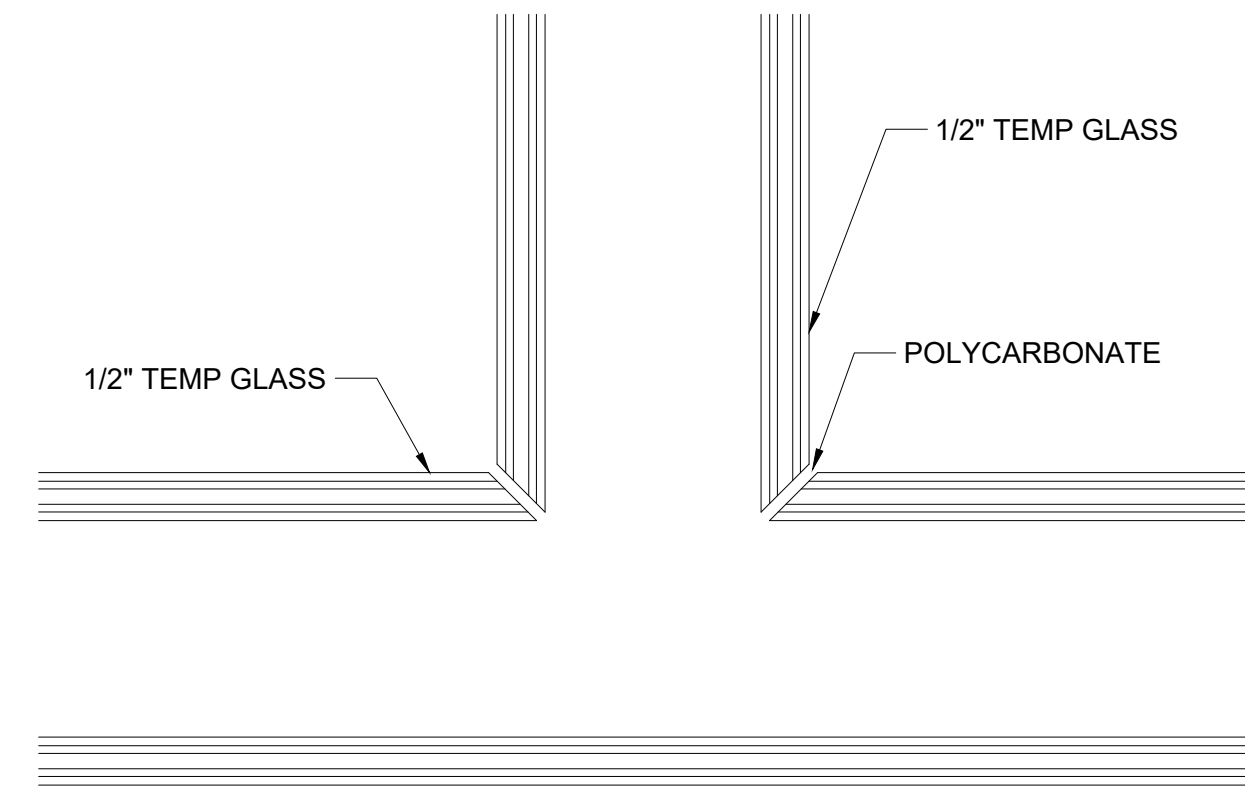
DATE: 11/24/2020	SCALE: 3/4" = 1'-0"	DRAWING No.
DRAWING TITLE: ELEVATIONS		E-2



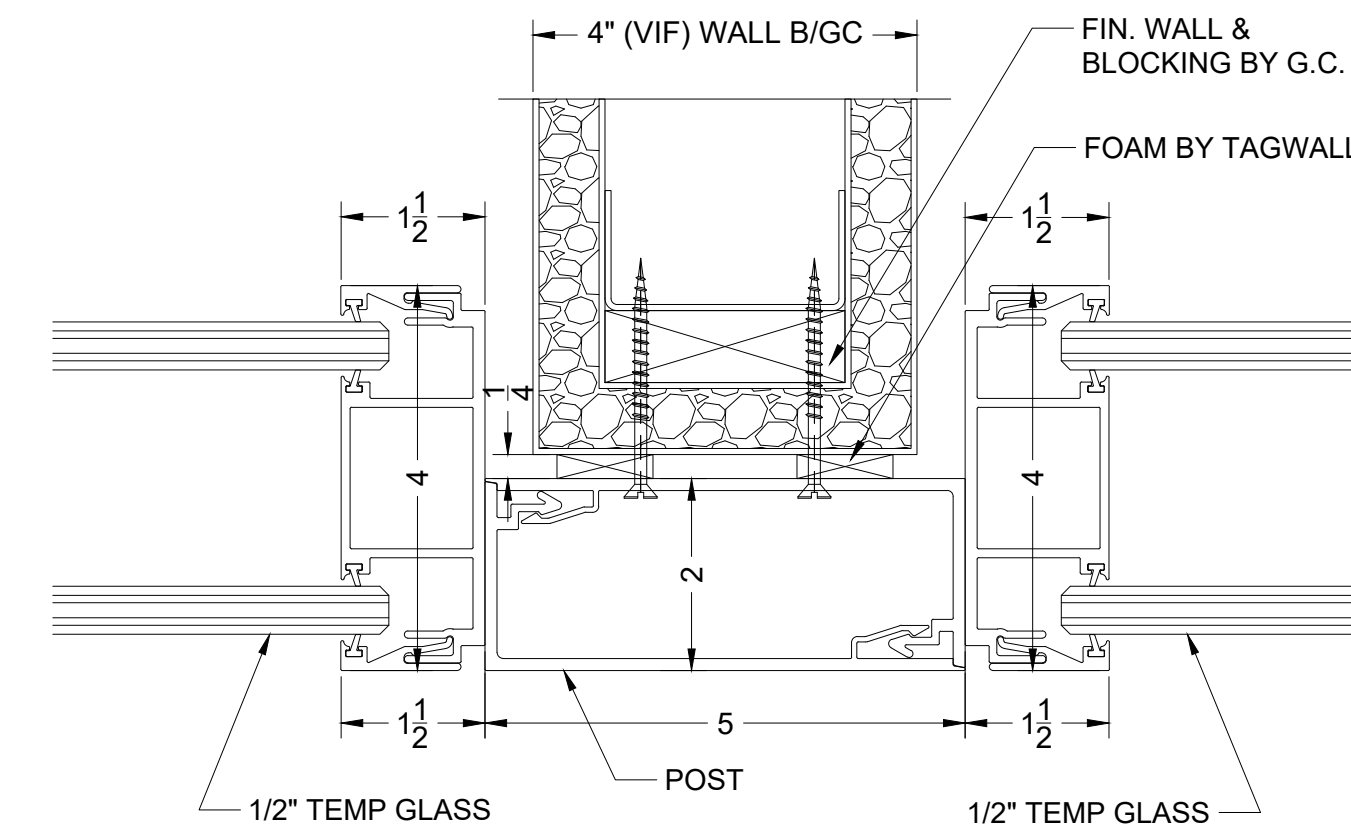
DETAIL@DOUBLE GLAZING POST
6" = 1'-0" **A**



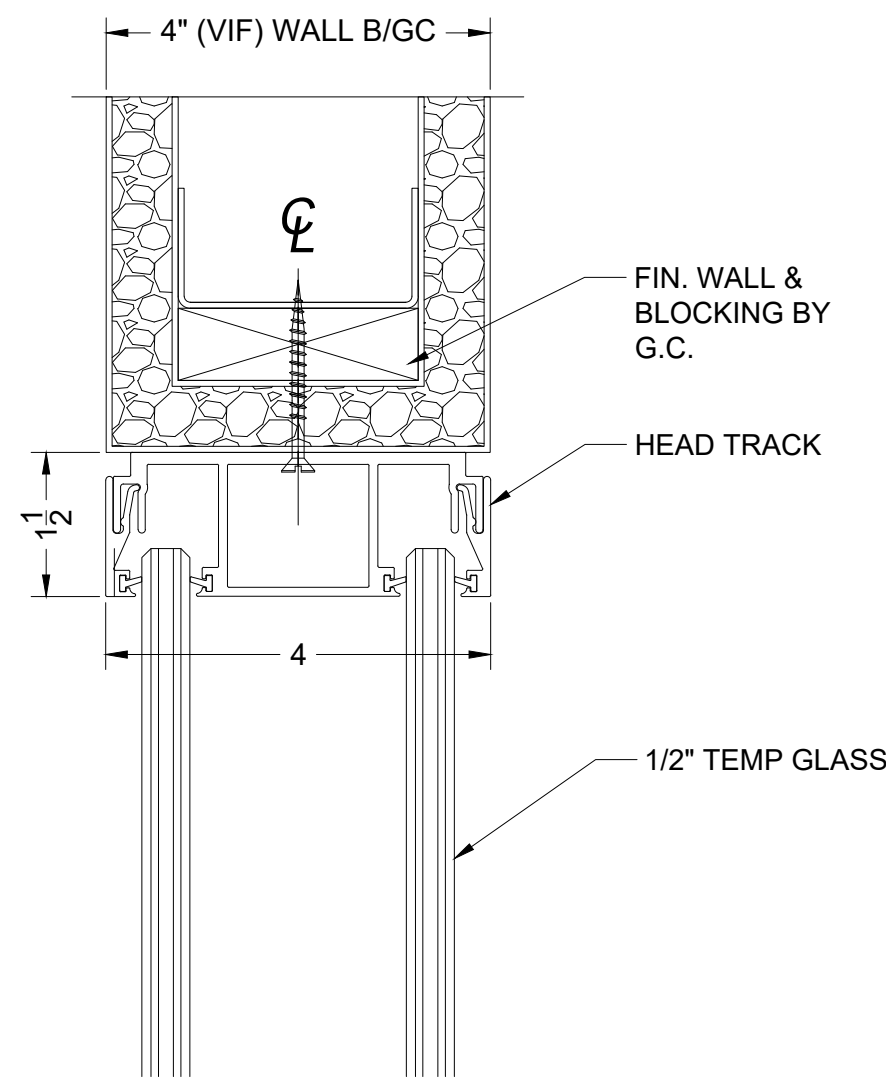
DETAIL@GLASS JOINT
6" = 1'-0" **B**



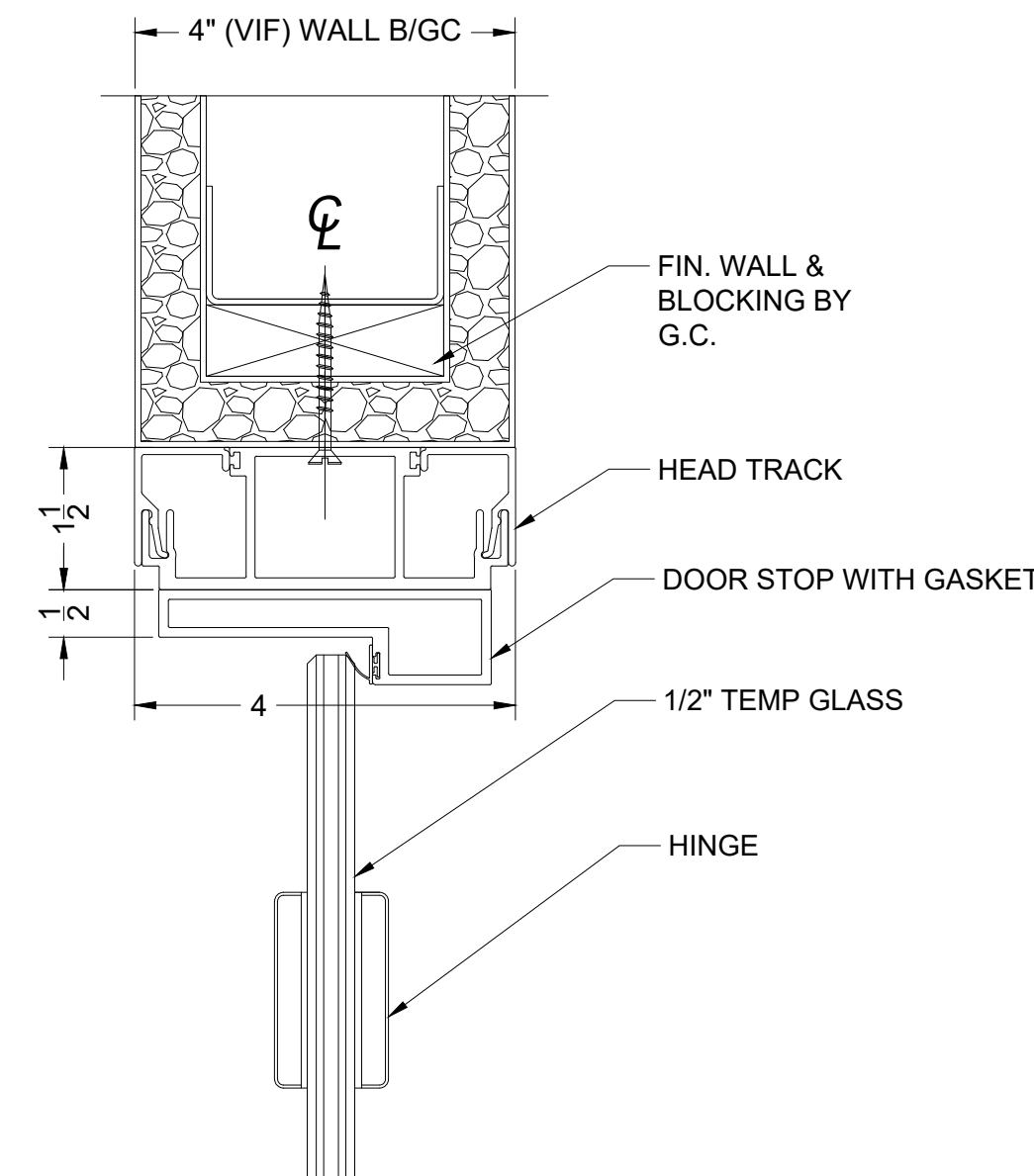
DETAIL@GLASS JOINT
6" = 1'-0" **C**



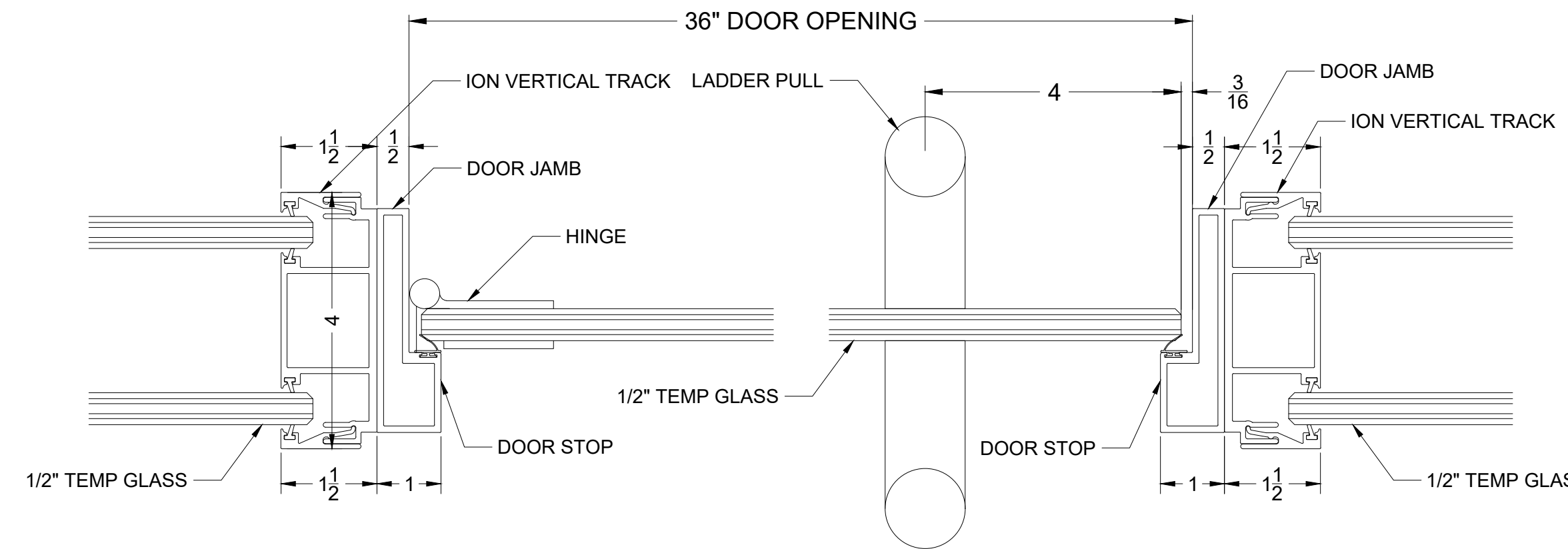
DETAIL@DOUBLE GLAZING & WALL & POST
6" = 1'-0" **D**



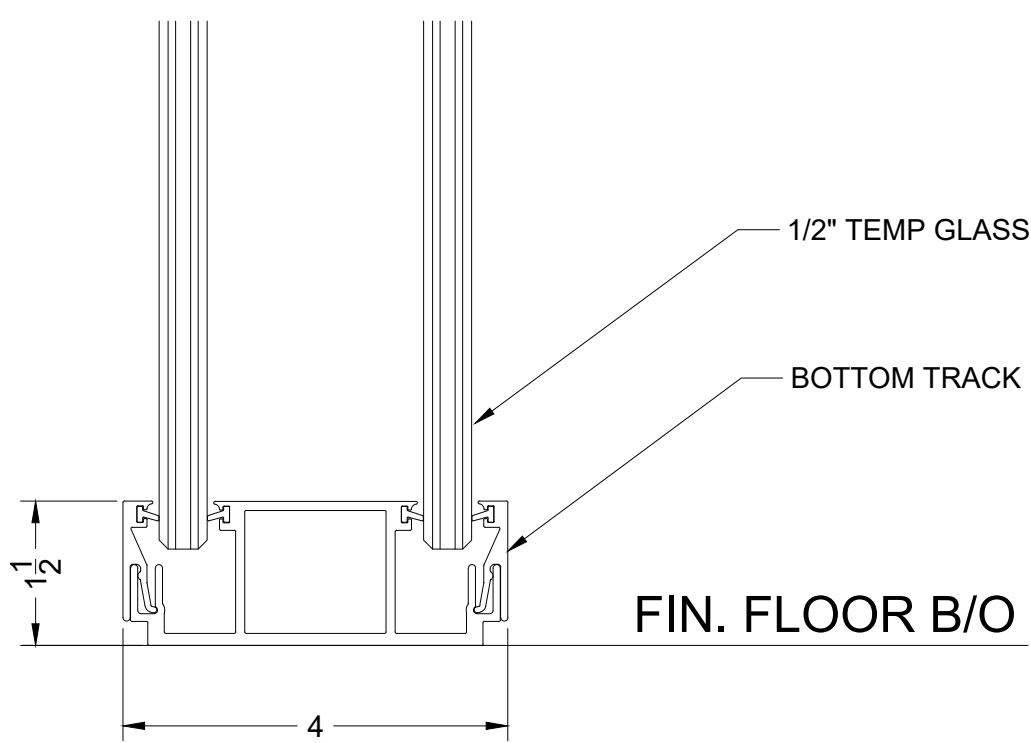
HEAD DETAIL @ SIDELIGHT
6" = 1'-0" **E**



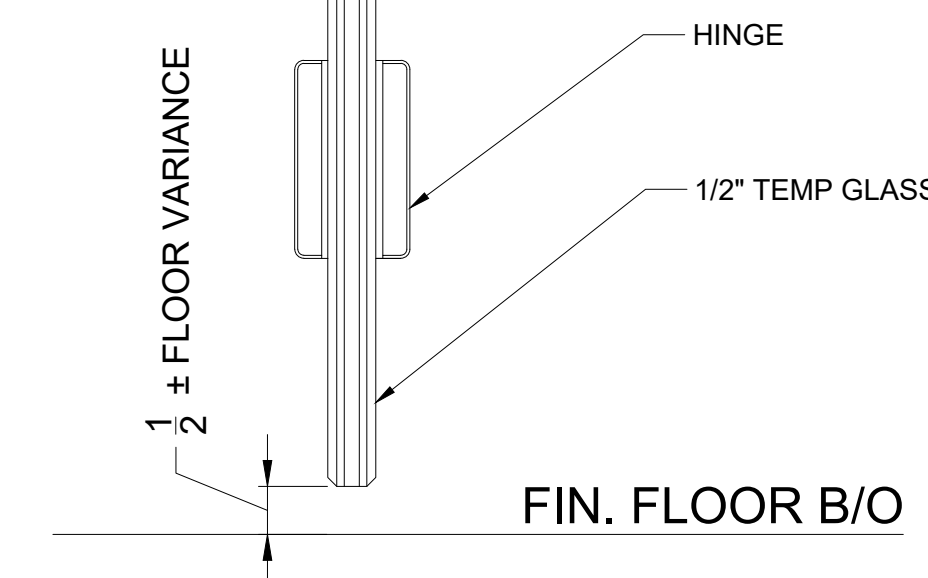
HEAD DETAIL@SWING DOOR
6" = 1'-0" **G**



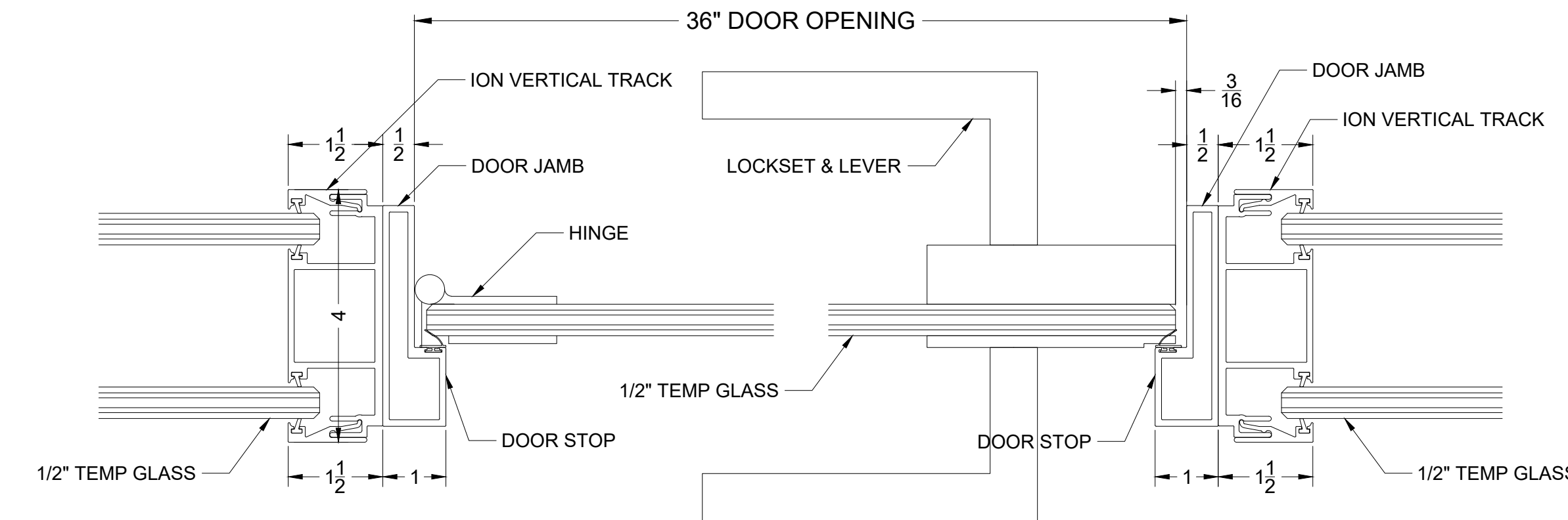
DETAIL@ DOOR & JAMB
6" = 1'-0" **J**



BOTTOM DETAIL @ SIDELIGHT
6" = 1'-0" **F**



BOTTOM DETAIL@SWING DOOR
6" = 1'-0" **H**



DETAIL@ DOOR & JAMB
6" = 1'-0" **K**

NOTES:

1. ALL DIMENSIONS ARE TO BE VERIFIED IN FIELD;
2. HEIGHTS MAY VARY ALONG FLOOR BASED ON FIELD CONDITION.
3. G.C. TO PROVIDE BLOCKING AT ALL THE WALL/HEADER WHERE POST/TRACK EXISTS;
4. GLASS TYPES:
THICKNESS: 3/8", 1/2", 5/8"
CLEAR TEMPERED
LOW IRON TEMPERED
CLEAR LAMINATED
5. FINISHES:
CLEAR ANODIZED
BLACK ANODIZED
POWDER COAT
BRUSHED SATIN
MEDIUM BRONZE
6. STD LEAD TIME: 6 WEEKS
7. CONTACT: info@tagwallny.com
estimating@tagwallny.com

TAGWALL

321 W. 44TH ST, SUITE 200 NY, NY 10036
212.354.9255 tagwallny.com

PROJECT:

ION SYSTEM

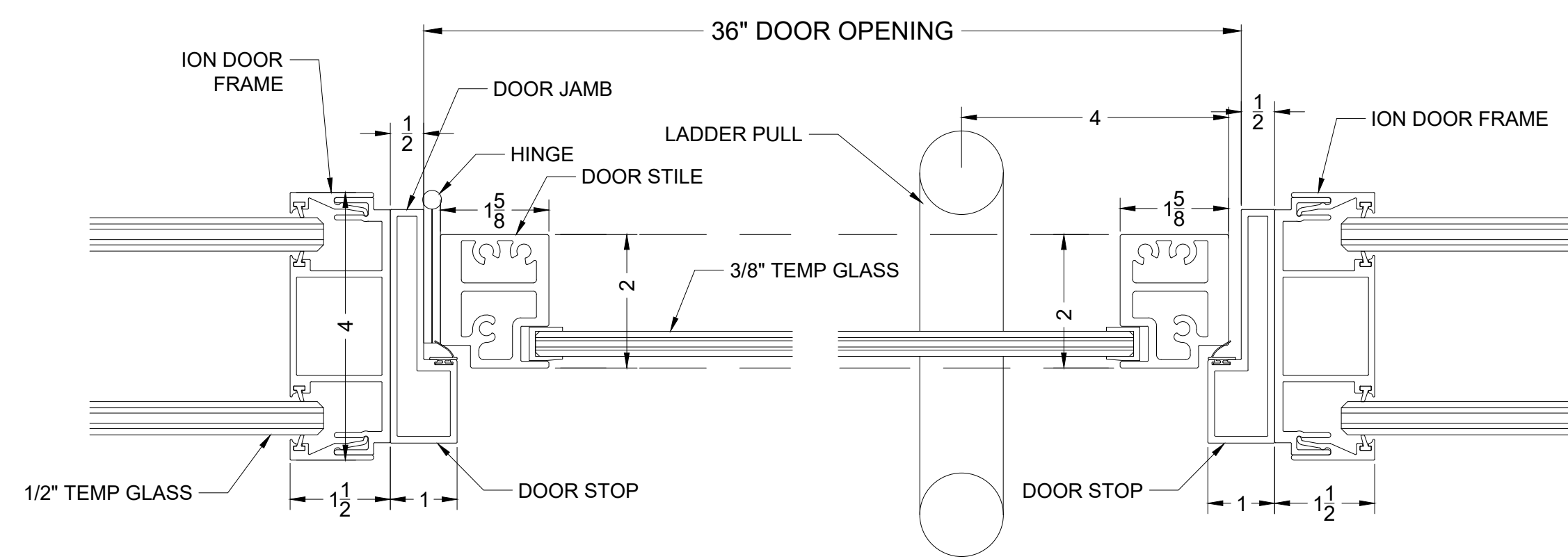
DATE: 11/24/2020

SCALE: 6" = 1'-0"

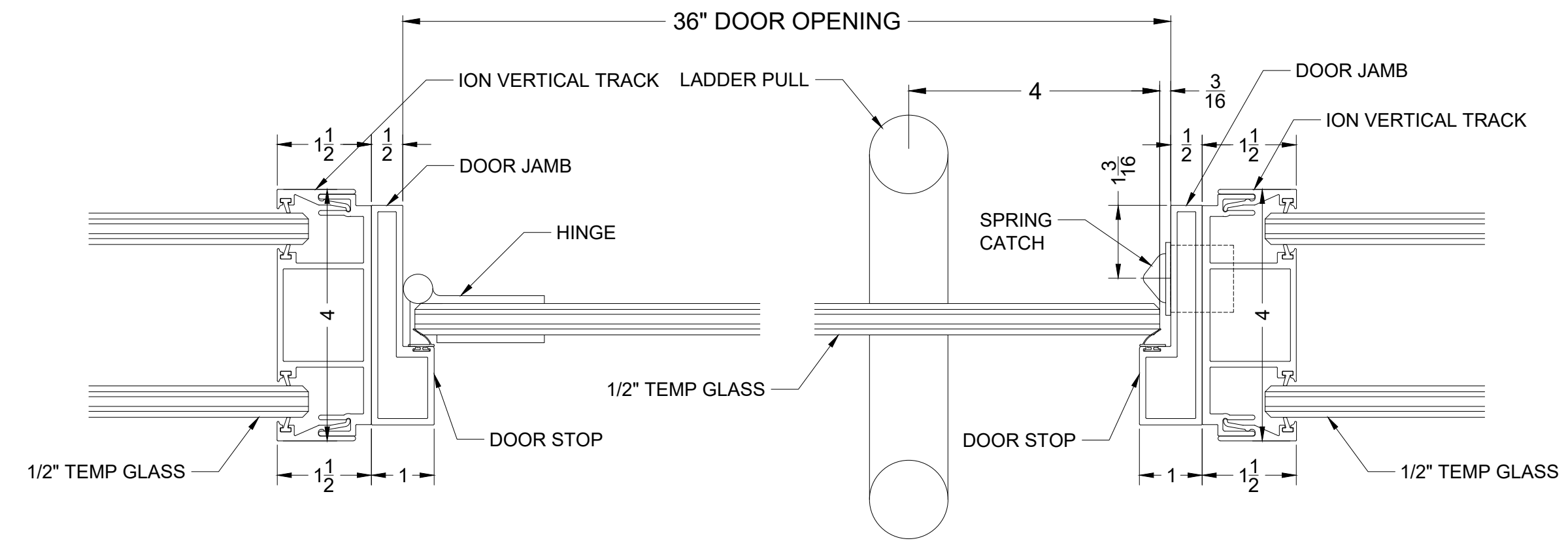
DRAWING No.

DRAWING TITLE:
DETAILS

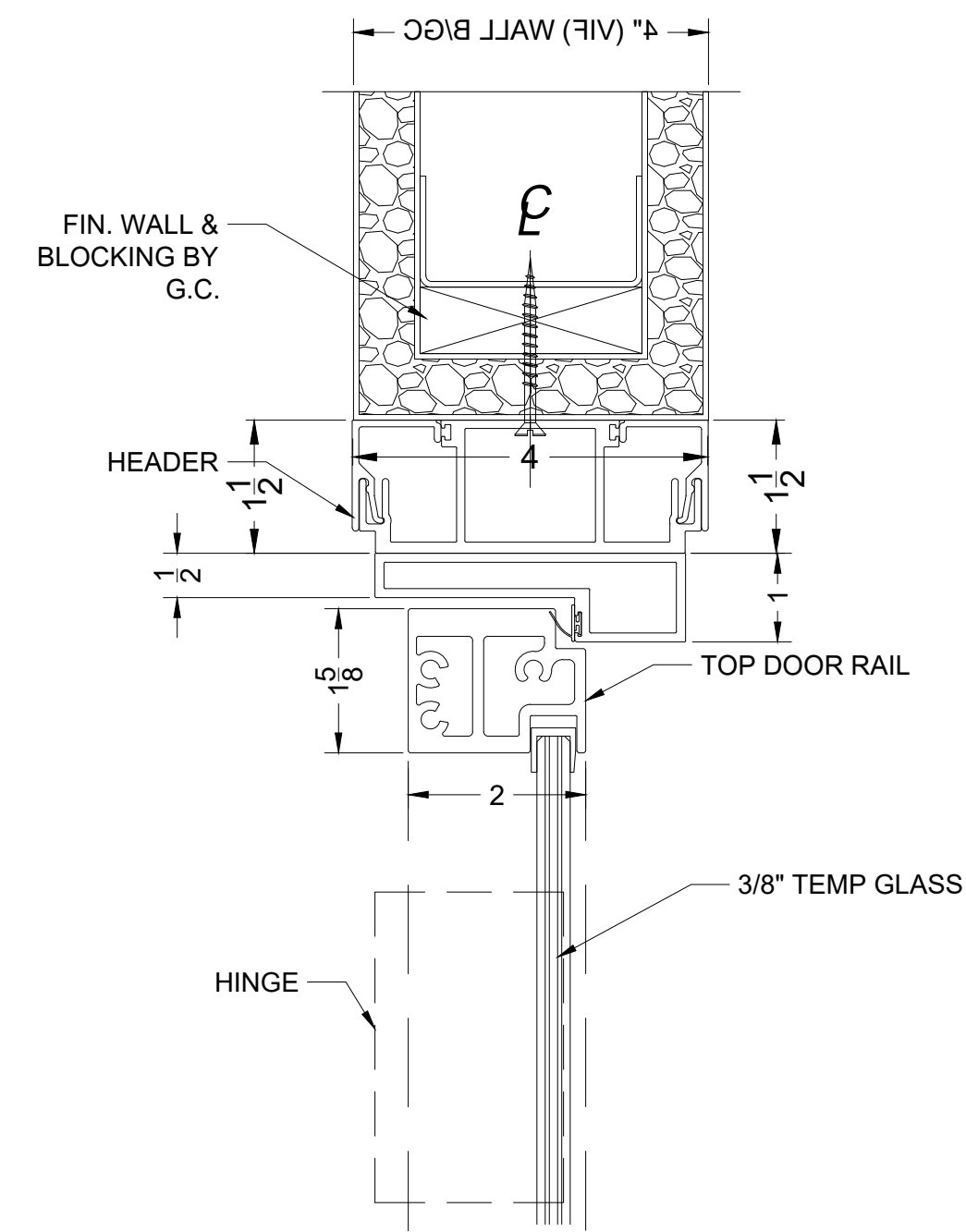
D-1



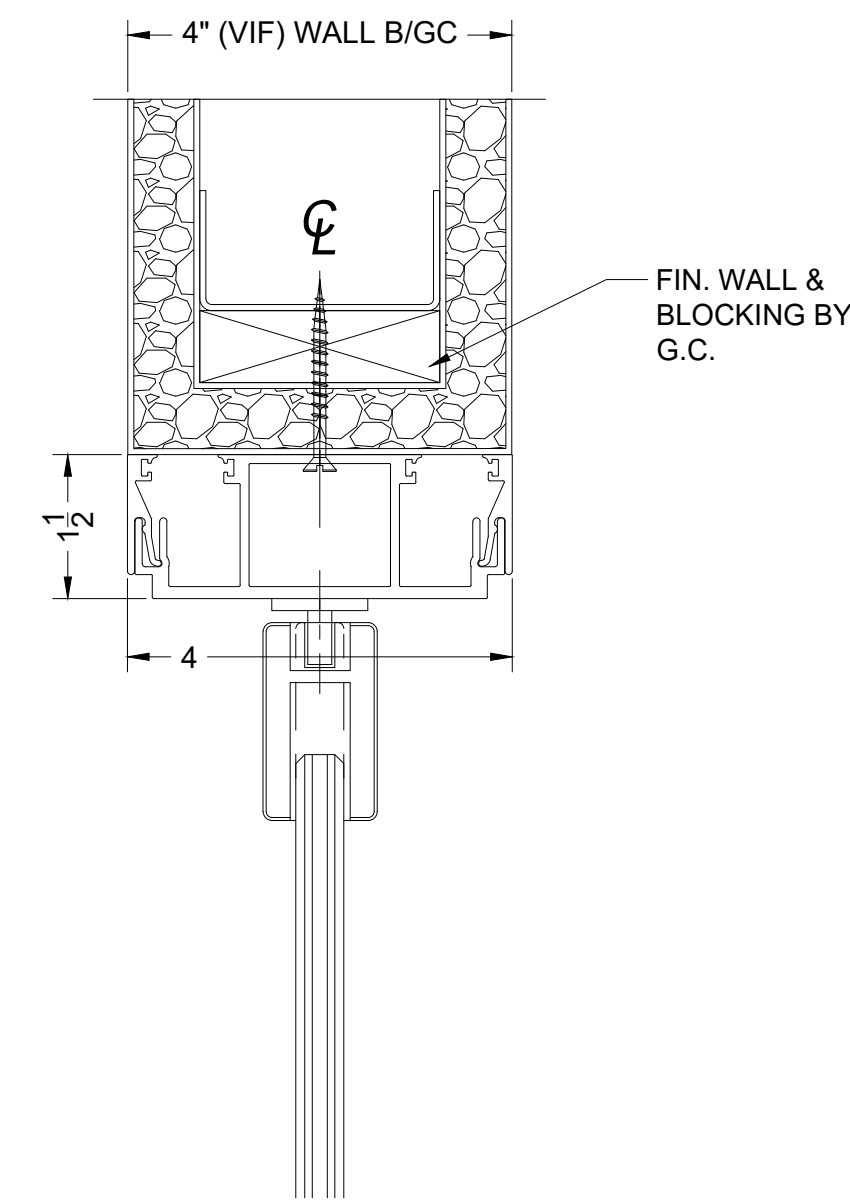
DETAIL @ FRAMED SWING GLASS DOOR
6" = 1'-0" **L**



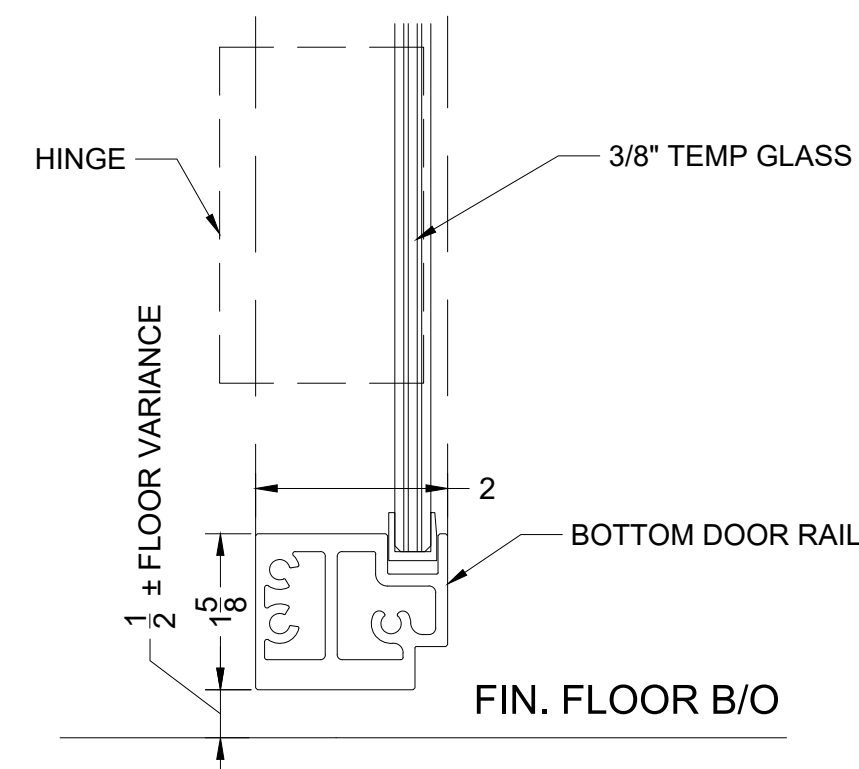
DETAIL @ DOOR & JAMB
6" = 1'-0" **P**



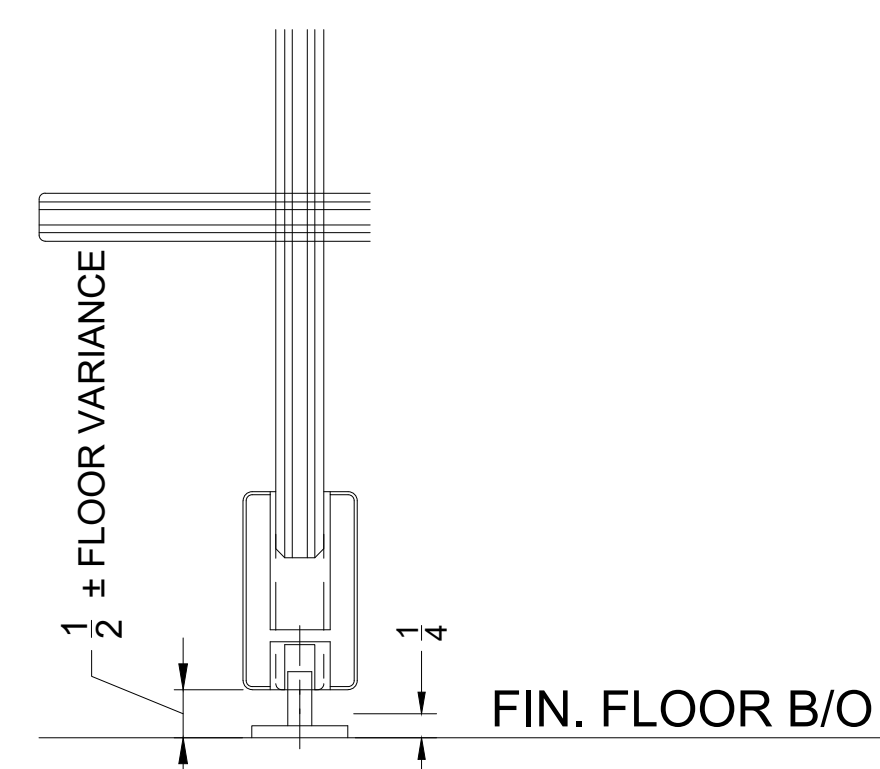
DETAIL @ FRAMED SWING DOOR
6" = 1'-0" **M**



HEAD DETAIL @ SWING DOOR
6" = 1'-0" **R**



DETAIL @ FRAMED SWING DOOR
6" = 1'-0" **N**



HEAD DETAIL @ SWING DOOR
6" = 1'-0" **S**

NOTES:

1. ALL DIMENSIONS ARE TO BE VERIFIED IN FIELD;
2. HEIGHTS MAY VARY ALONG FLOOR BASED ON FIELD CONDITION.
3. G.C. TO PROVIDE BLOCKING AT ALL THE WALL/HEADER WHERE POST/TRACK EXISTS;
4. GLASS TYPES:
THICKNESS: 3/8", 1/2", 5/8"
CLEAR TEMPERED
LOW IRON TEMPERED
CLEAR LAMINATED
5. FINISHES:
CLEAR ANODIZED
BLACK ANODIZED
POWDER COAT
BRUSHED SATIN
MEDIUM BRONZE
6. STD LEAD TIME: 6 WEEKS
7. CONTACT: info@tagwallny.com
estimating@tagwallny.com

TAGWALL

321 W. 44TH ST, SUITE 200 NY, NY 10036
212.354.9255 tagwallny.com

PROJECT:

ION SYSTEM

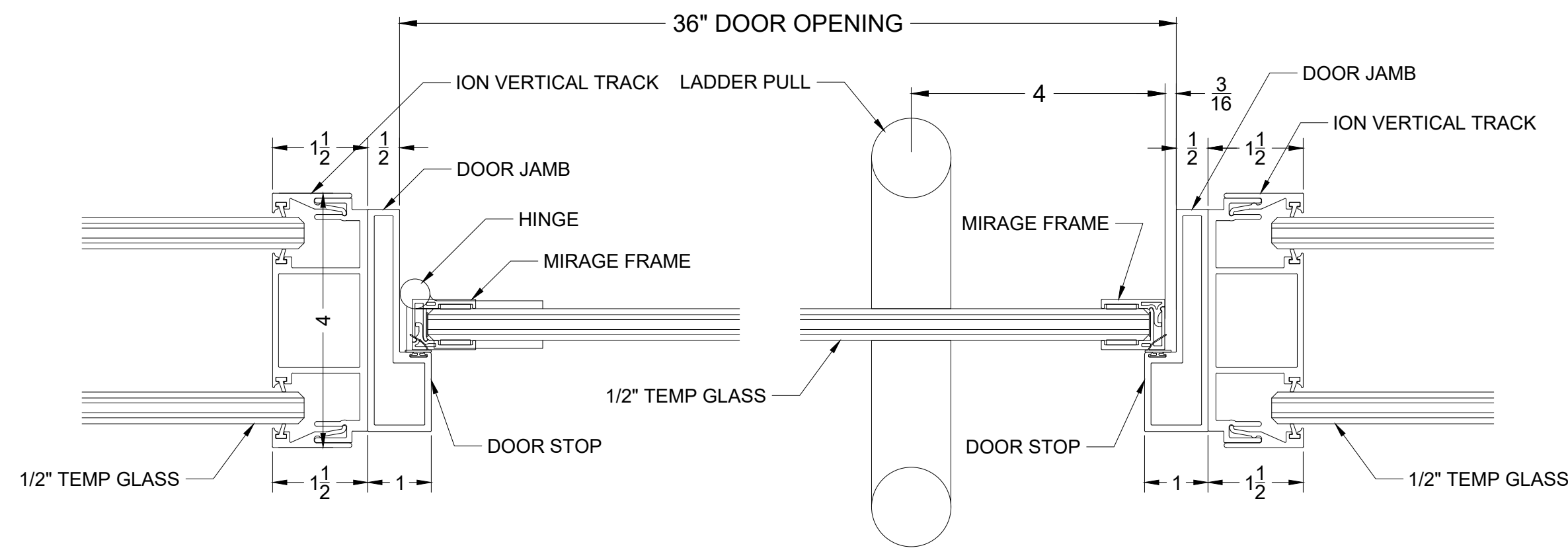
DATE: 11/24/2020

SCALE: 6" = 1'-0"

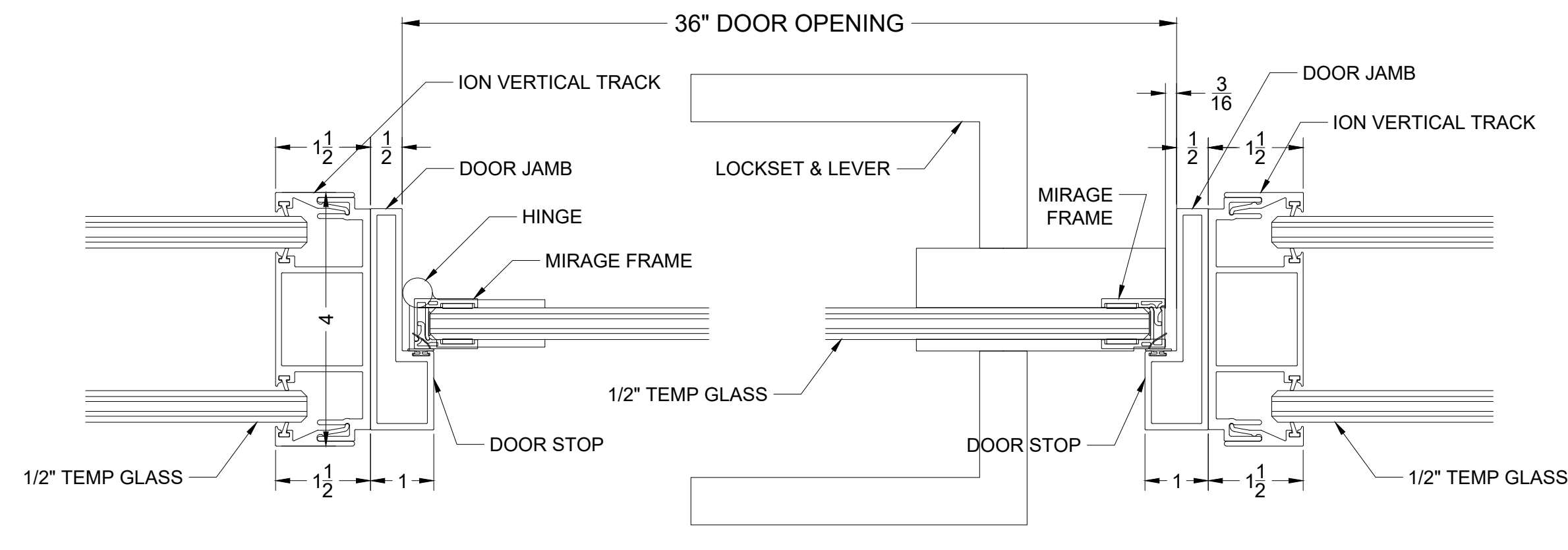
DRAWING No.

DRAWING TITLE:
DETAILS

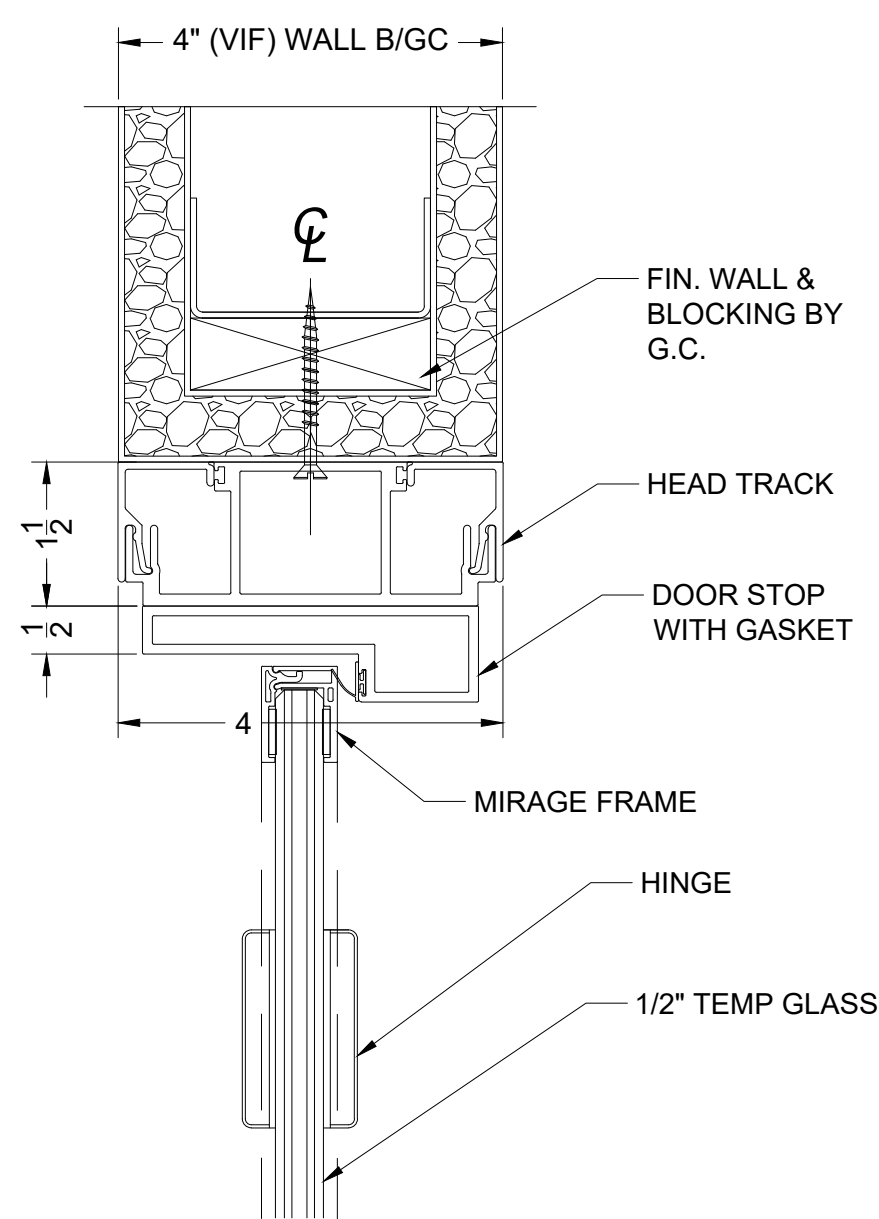
D-2



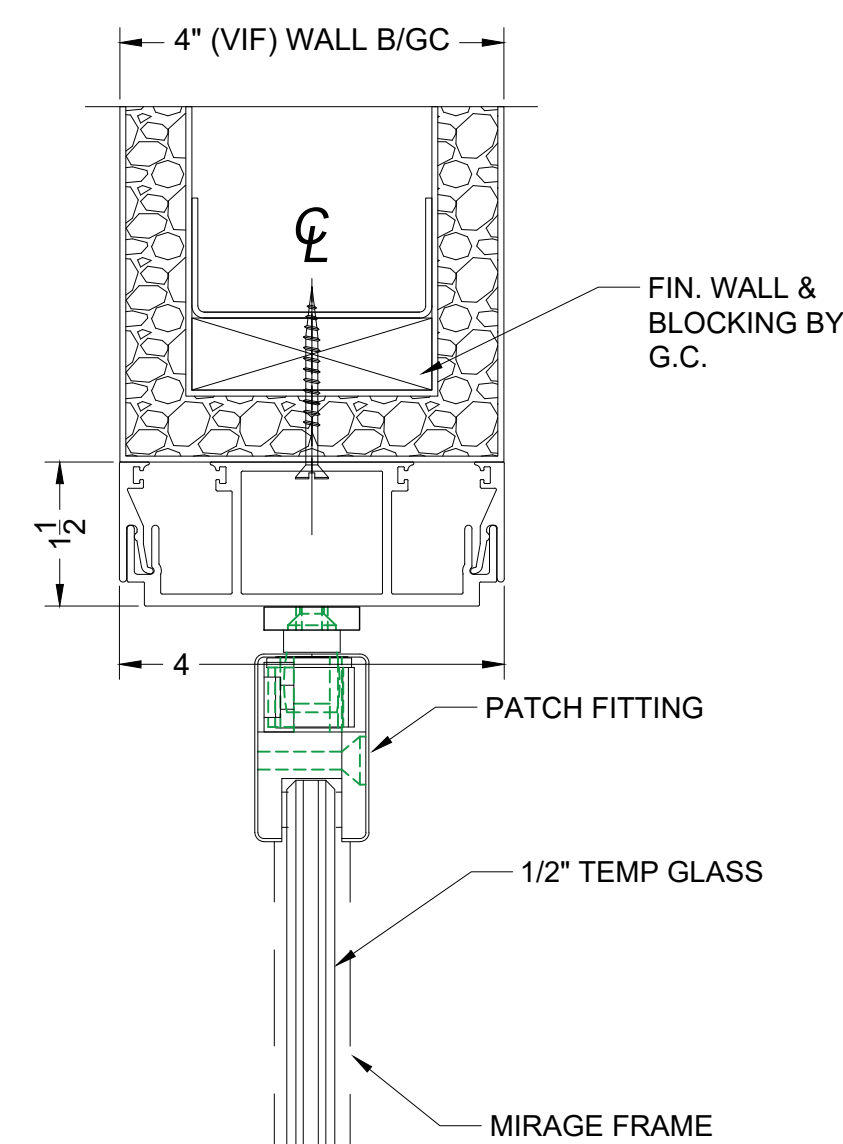
DETAIL@ DOOR & JAMB
6" = 1'-0" **C3**



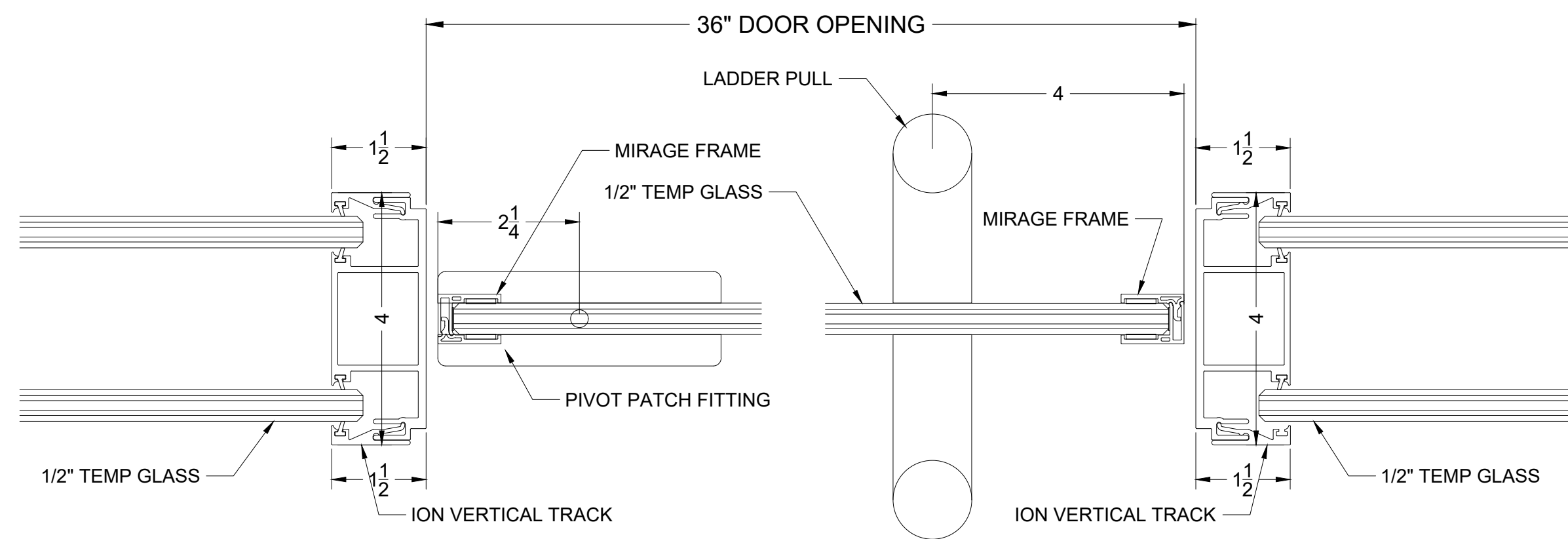
DETAIL@ DOOR & JAMB
6" = 1'-0" **D3**



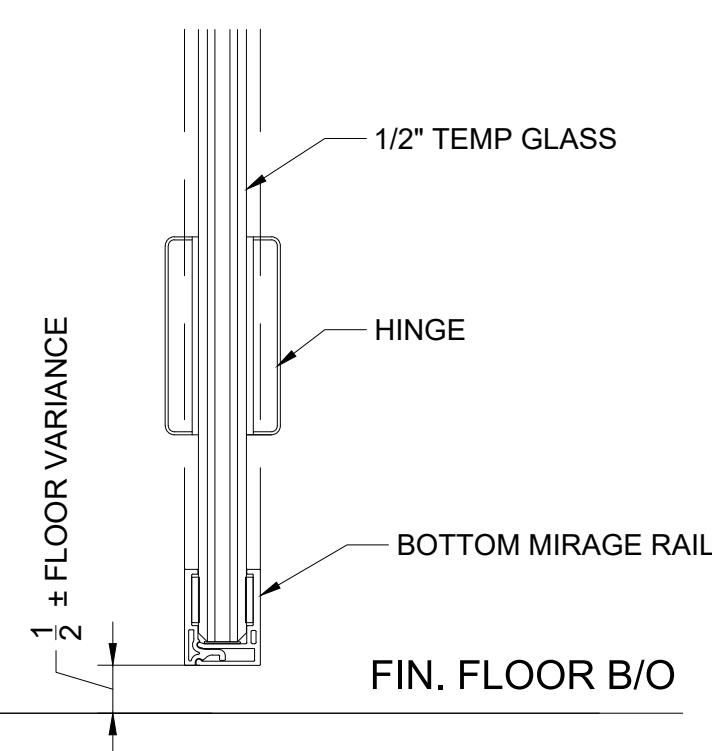
HEAD DETAIL@SWING DOOR
6" = 1'-0" **E3**



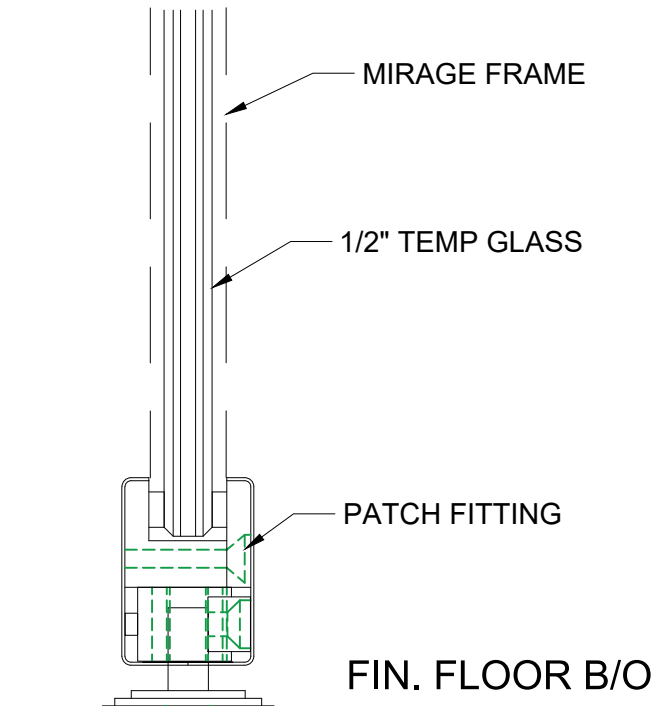
HEAD DETAIL@SWING DOOR
6" = 1'-0" **G3**



DETAIL@ DOOR & JAMB
6" = 1'-0" **J3**



BOTTOM DETAIL@SWING DOOR
6" = 1'-0" **F3**



BOTTOM DETAIL@SWING DOOR
6" = 1'-0" **H3**

- NOTES:
1. ALL DIMENSIONS ARE TO BE VERIFIED IN FIELD;
 2. HEIGHTS MAY VARY ALONG FLOOR BASED ON FIELD CONDITION.
 3. G.C. TO PROVIDE BLOCKING AT ALL THE WALL/HEADER WHERE POST/TRACK EXISTS;
 4. GLASS TYPES:
THICKNESS: 3/8", 1/2", 5/8"
CLEAR TEMPERED
LOW IRON TEMPERED
CLEAR LAMINATED
 5. FINISHES:
CLEAR ANODIZED
BLACK ANODIZED
POWDER COAT
BRUSHED SATIN
MEDIUM BRONZE
 6. STD LEAD TIME: 6 WEEKS
 7. CONTACT: info@tagwallny.com
estimating@tagwallny.com

TAGWALL

321 W. 44TH ST, SUITE 200 NY, NY 10036
212.354.9255 tagwallny.com

PROJECT:

ION SYSTEM

DATE: 11/24/2020

SCALE: 6" = 1'-0"

DRAWING No.

DRAWING TITLE:
DETAILS

D-3