

- NOTES:
1. ALL DIMENSIONS ARE TO BE VERIFIED IN FIELD;
 2. HEIGHTS MAY VARY ALONG FLOOR BASED ON FIELD CONDITION.
 3. G.C. TO PROVIDE BLOCKING AT ALL THE WALL/HEADER WHERE POST/TRACK EXISTS;
 4. GLASS TYPES:
THICKNESS: 3/8", 1/2", 5/8"
CLEAR TEMPERED
LOW IRON TEMPERED
CLEAR LAMINATED
 5. FINISHES:
CLEAR ANODIZED
BLACK ANODIZED
POWDER COAT
BRUSHED SATIN
MEDIUM BRONZE
 6. STD LEAD TIME: 6 WEEKS
 7. CONTACT: info@tagwallny.com
estimating@tagwallny.com

TAGWALL

321 W. 44TH ST, SUITE 200 NY, NY 10036
212.354.9255 tagwallny.com

PROJECT:

EVOLVE SYSTEM

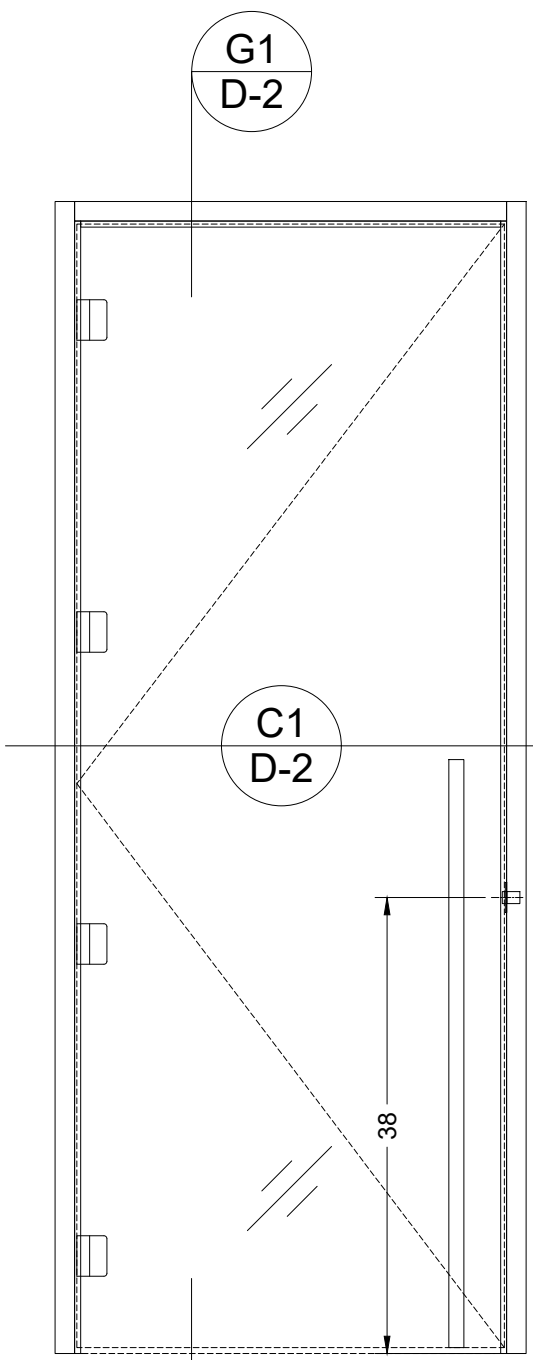
DATE: 11/25/2020

SCALE: 3/4" = 1'-0"

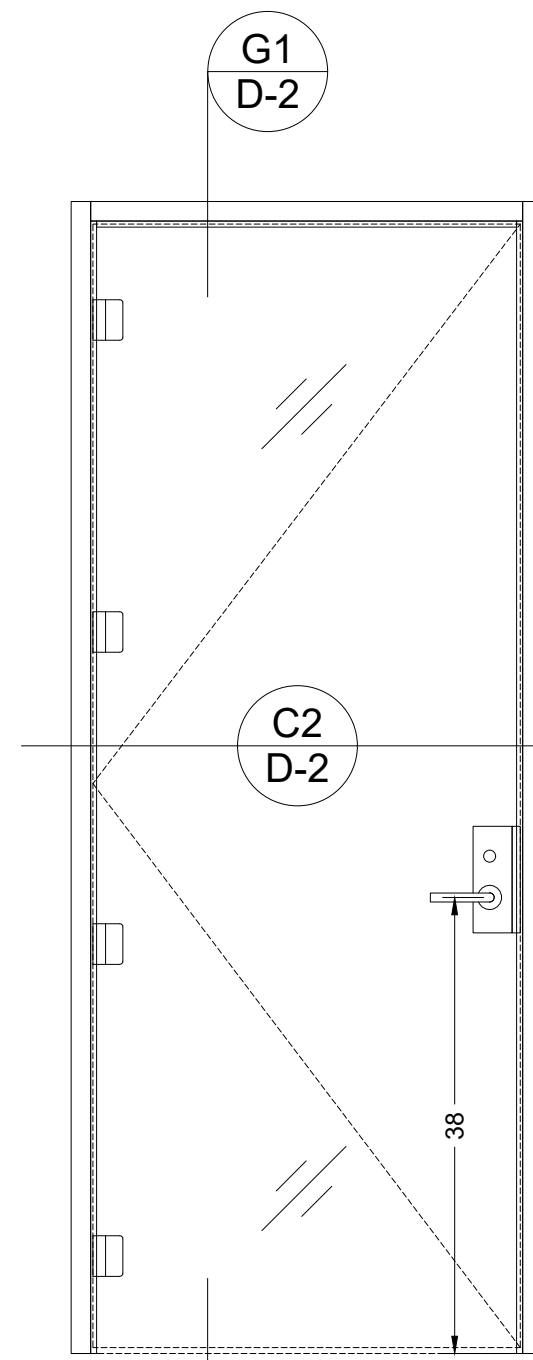
DRAWING No.

DRAWING TITLE:
ELEVATIONS

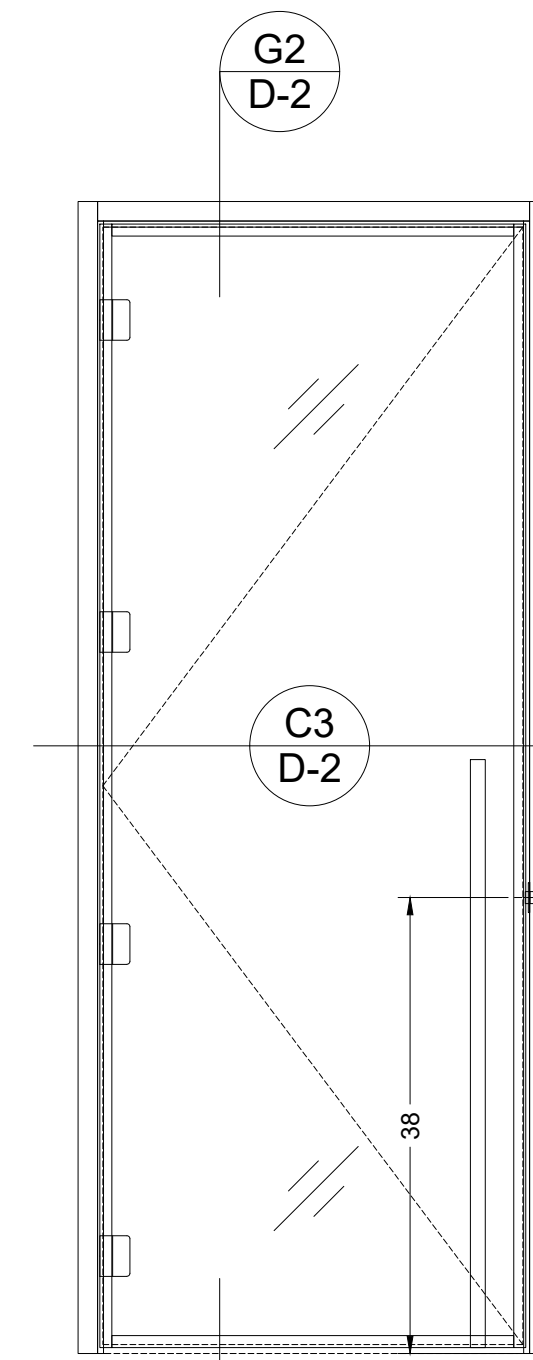
E-1



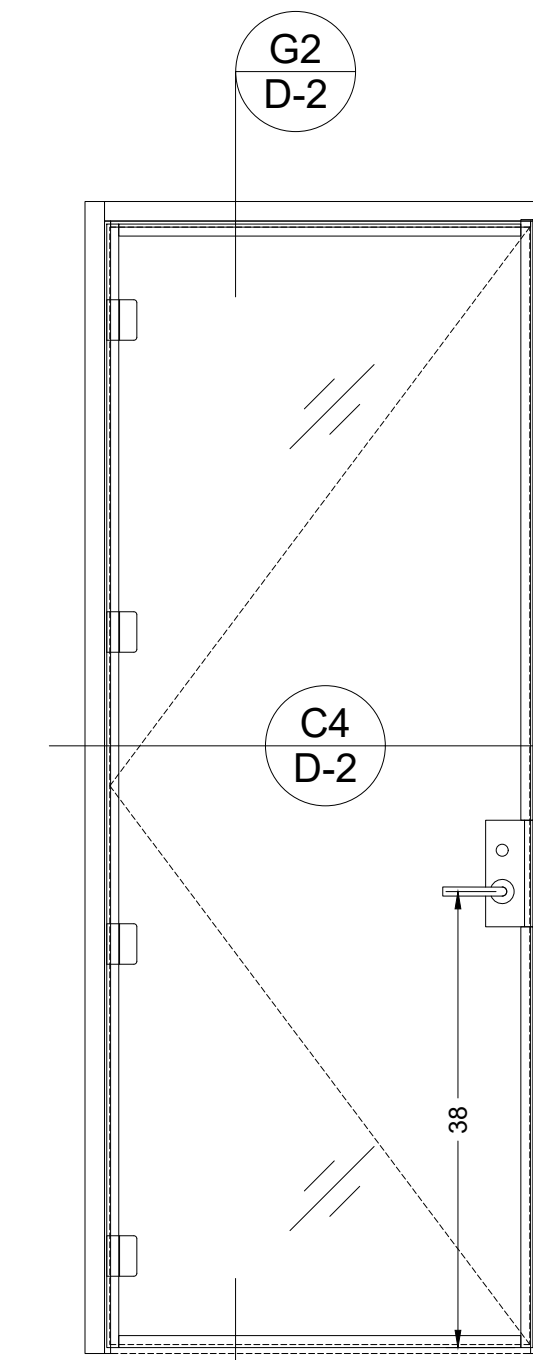
H1
D-2
1/2" GLASS DOOR
BUTT HINGES
LADDER PULL
(LOCKING AVAILABLE, TYP.)



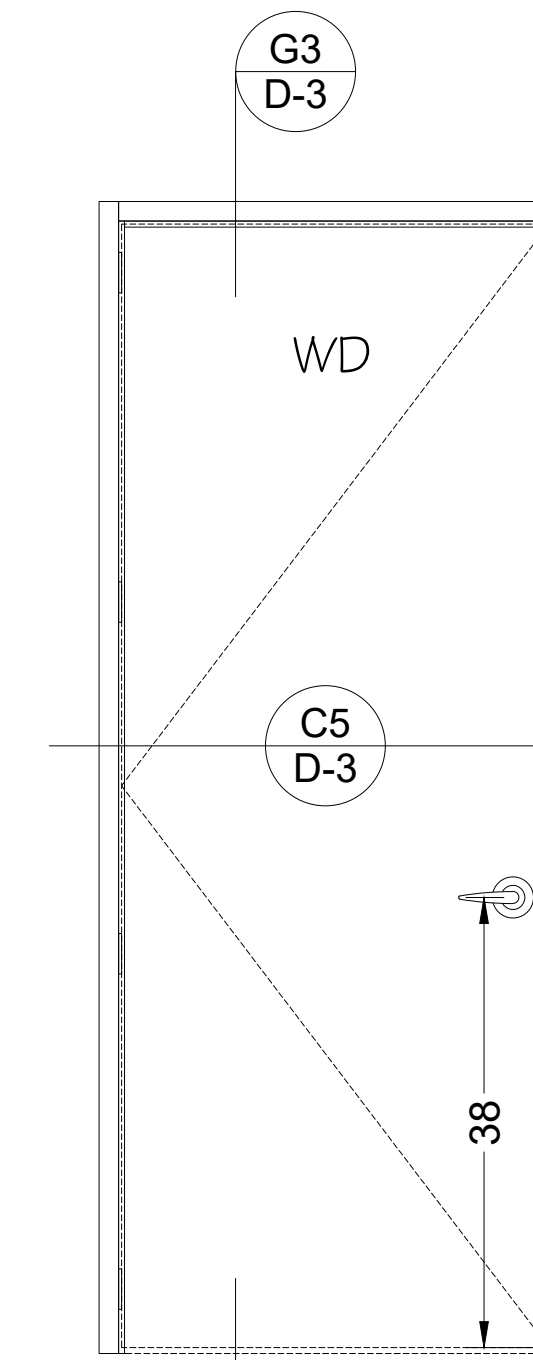
H1
D-2
1/2" GLASS DOOR
BUTT HINGES
LEVER SET
(LOCKING AVAILABLE, TYP.)



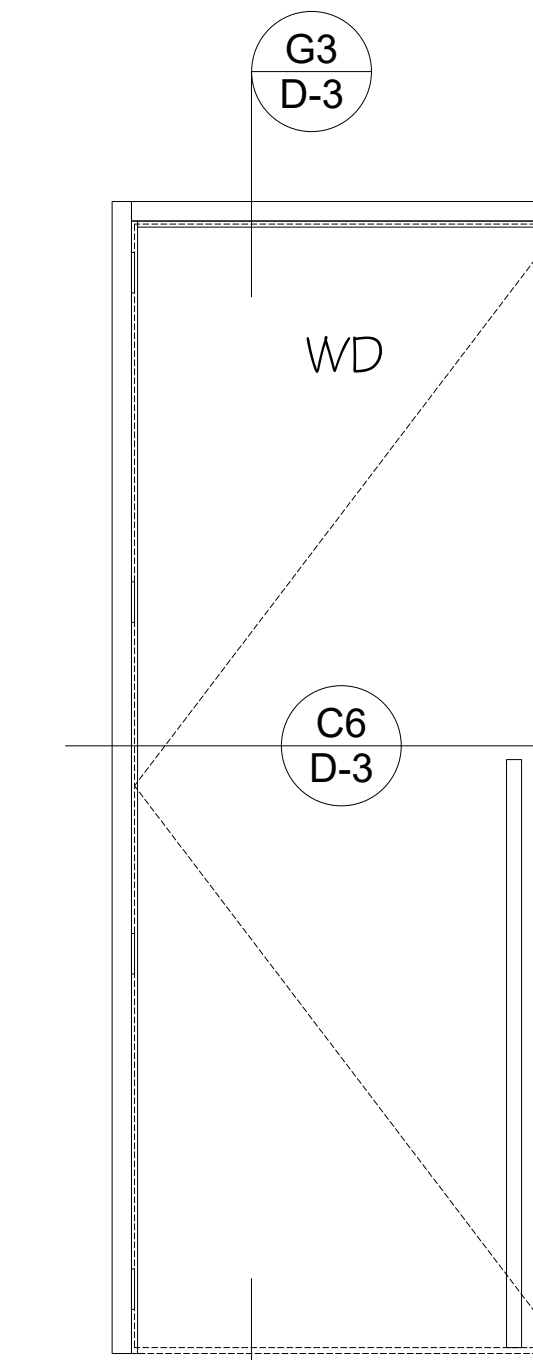
H2
D-2
1/2" GLASS DOOR
MIRAGE FRAMED
BUTT HINGES
LADDER PULL



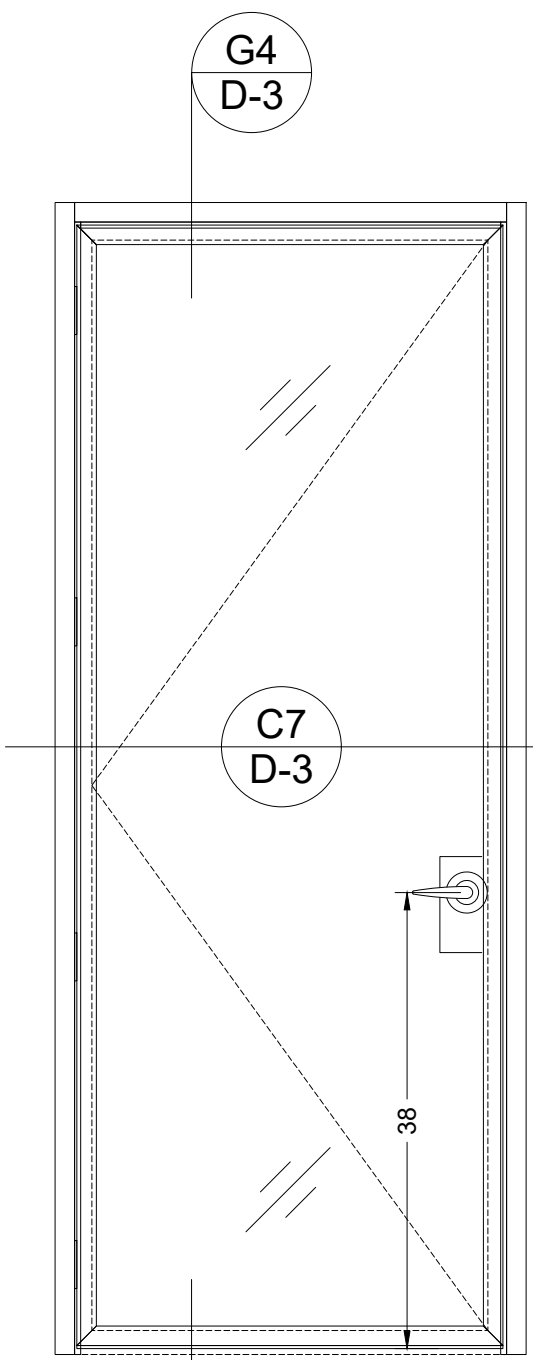
H2
D-2
1/2" GLASS DOOR
MIRAGE FRAMED
BUTT HINGES
LEVER SET



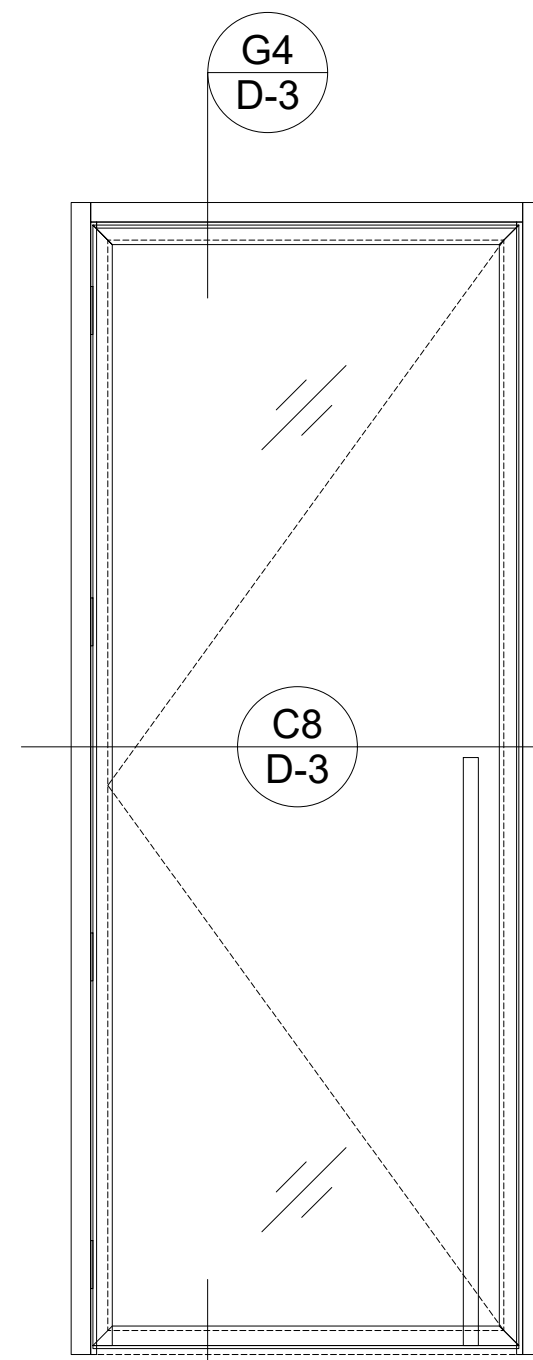
H3
D-3
1 3/4" WOOD DOOR
BUTT HINGES
LEVER SET



H3
D-3
1 3/4" WOOD DOOR
BUTT HINGES
LADDER PULL



H4
D-3
FULLY FRAMED
ADA GLASS DOOR
BUTT HINGES
LEVERSET



H4A
D-3
FULLY FRAMED
ADA GLASS DOOR
BUTT HINGES
LADDER PULL

NOTES:

1. ALL DIMENSIONS ARE TO BE VERIFIED IN FIELD;
2. HEIGHTS MAY VARY ALONG FLOOR BASED ON FIELD CONDITION.
3. G.C. TO PROVIDE BLOCKING AT ALL THE WALL/HEADER WHERE POST/TRACK EXISTS;
4. GLASS TYPES:
THICKNESS: 3/8", 1/2", 5/8"
CLEAR TEMPERED
LOW IRON TEMPERED
CLEAR LAMINATED
5. FINISHES:
CLEAR ANODIZED
BLACK ANODIZED
POWDER COAT
BRUSHED SATIN
MEDIUM BRONZE
6. STD LEAD TIME: 6 WEEKS
7. CONTACT: info@tagwallny.com
estimating@tagwallny.com

TAGWALL

321 W. 44TH ST, SUITE 200 NY, NY 10036
212.354.9255 tagwallny.com

PROJECT:

EVOLVE SYSTEM

DATE: 11/25/2020

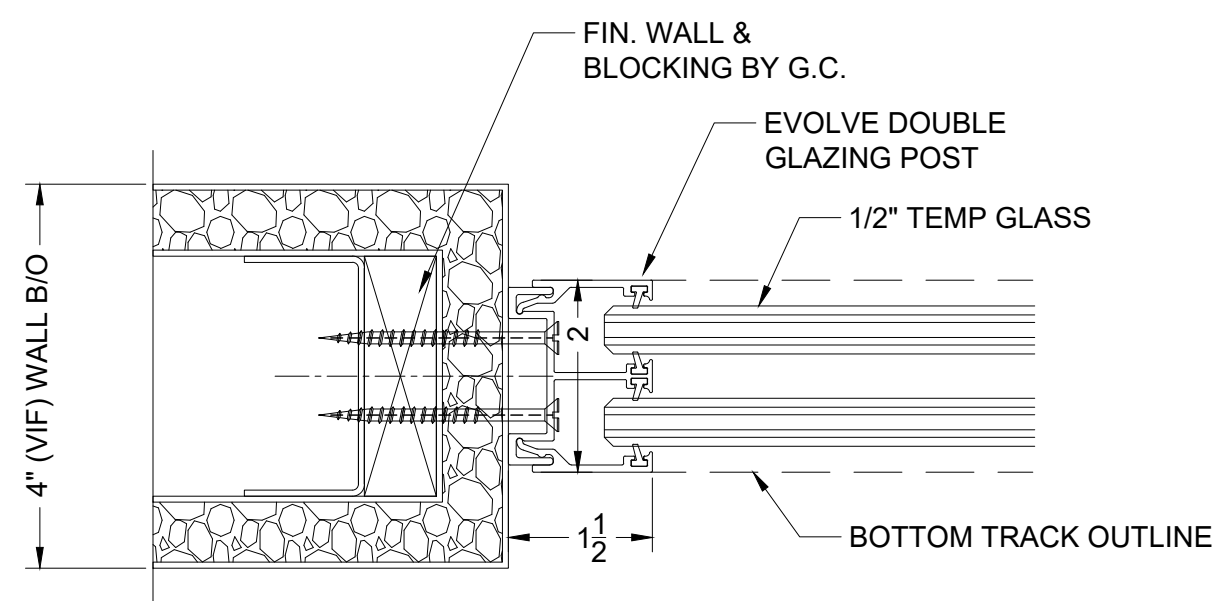
SCALE: 3/4" = 1'-0"

DRAWING No.

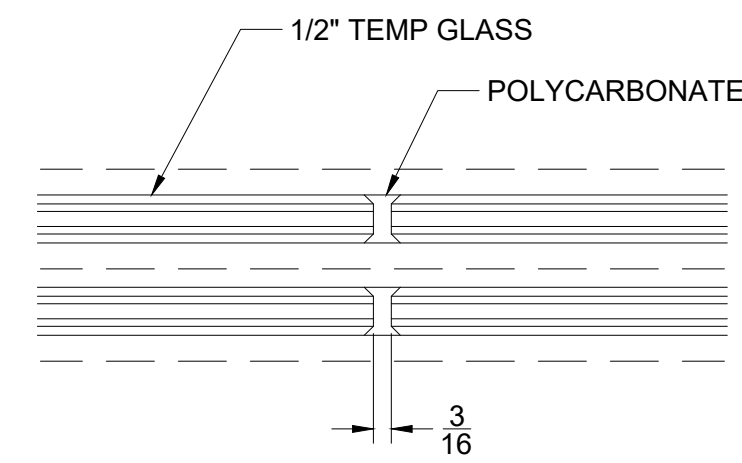
DRAWING TITLE:

ELEVATIONS

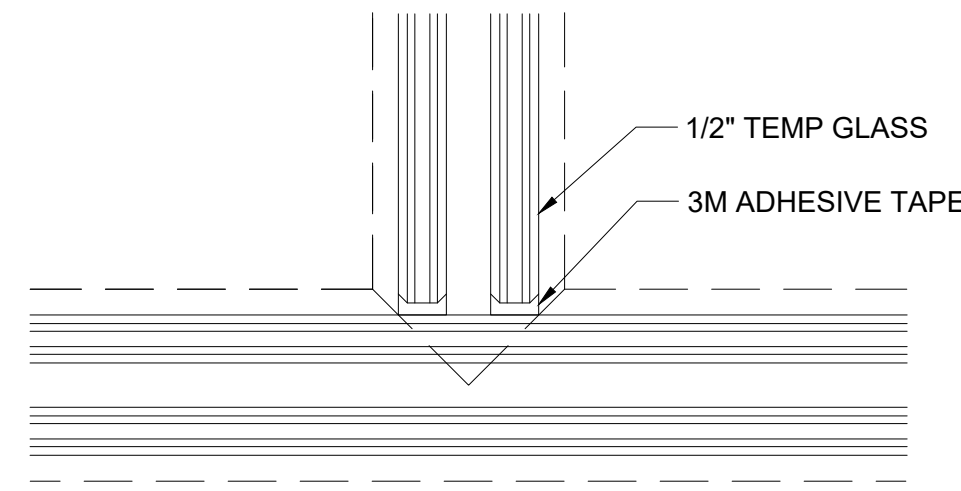
E-2



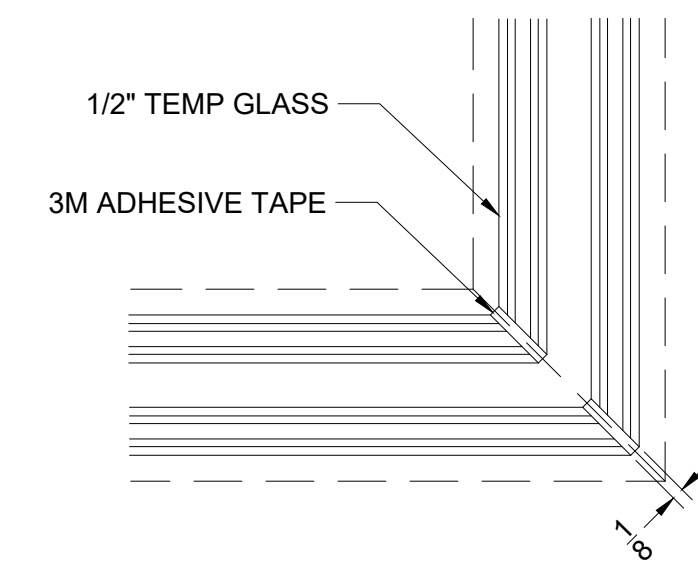
DETAIL @DBL GLAZING POST
6" = 1'-0" **A**



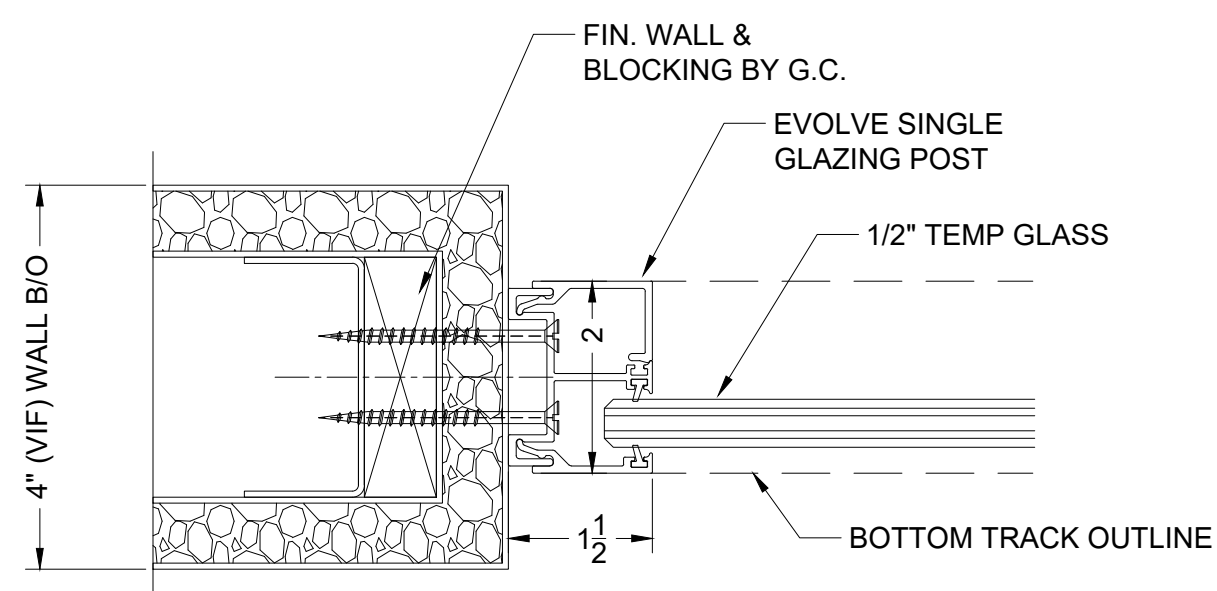
DETAIL @DBL GLASS JOINT
6" = 1'-0" **B**



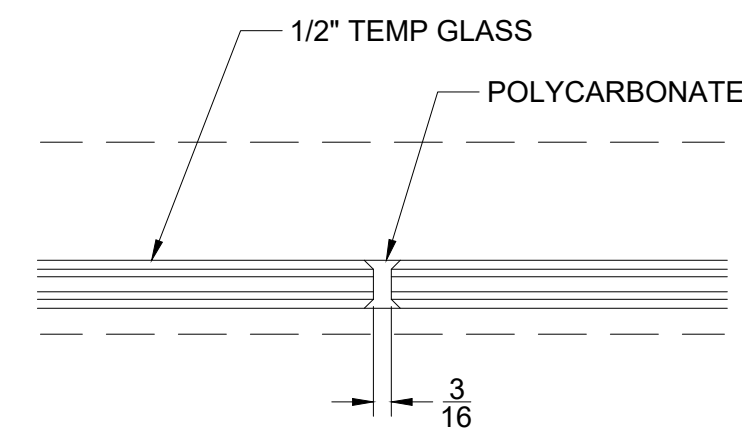
DETAIL @DBL GLASS FIN
6" = 1'-0" **BJ**



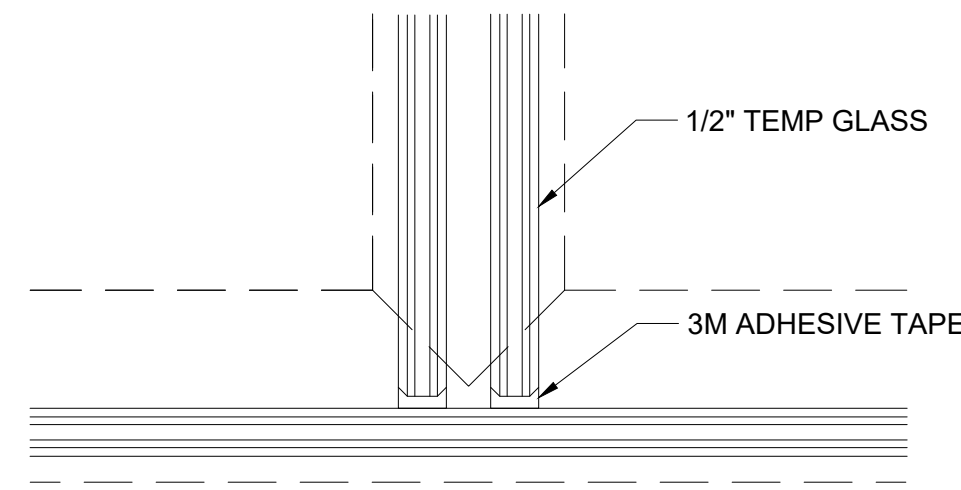
DETAIL@DBL GLASS RETURN
6" = 1'-0" **D**



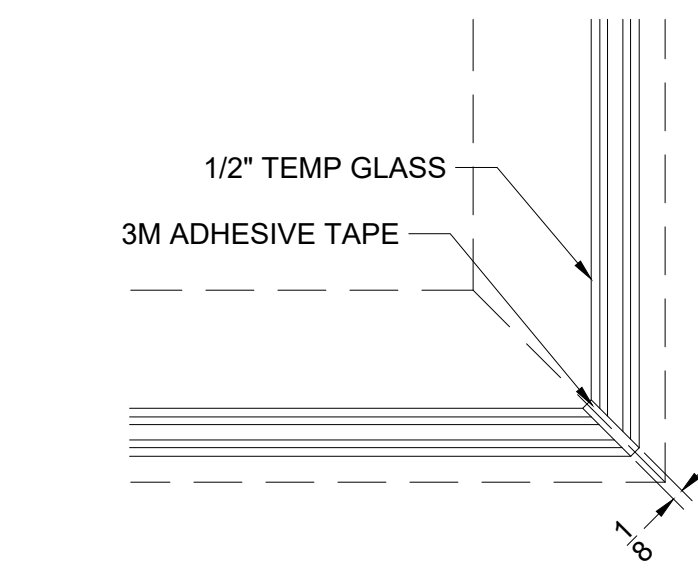
DETAIL @SINGLE GLAZING POST
6" = 1'-0" **A1**



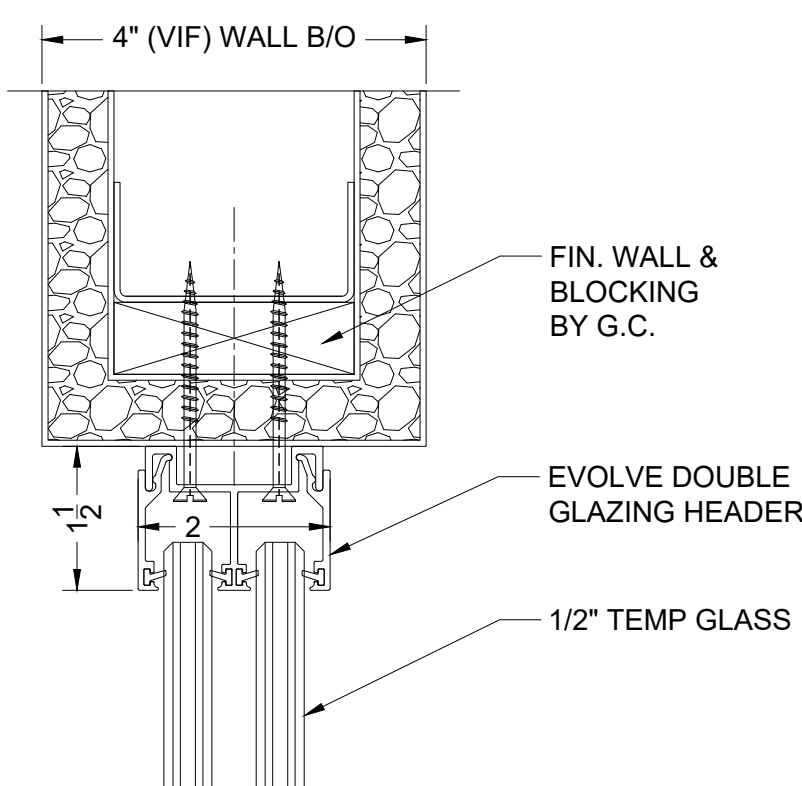
DETAIL @SINGLE GLASS JOINT
6" = 1'-0" **B1**



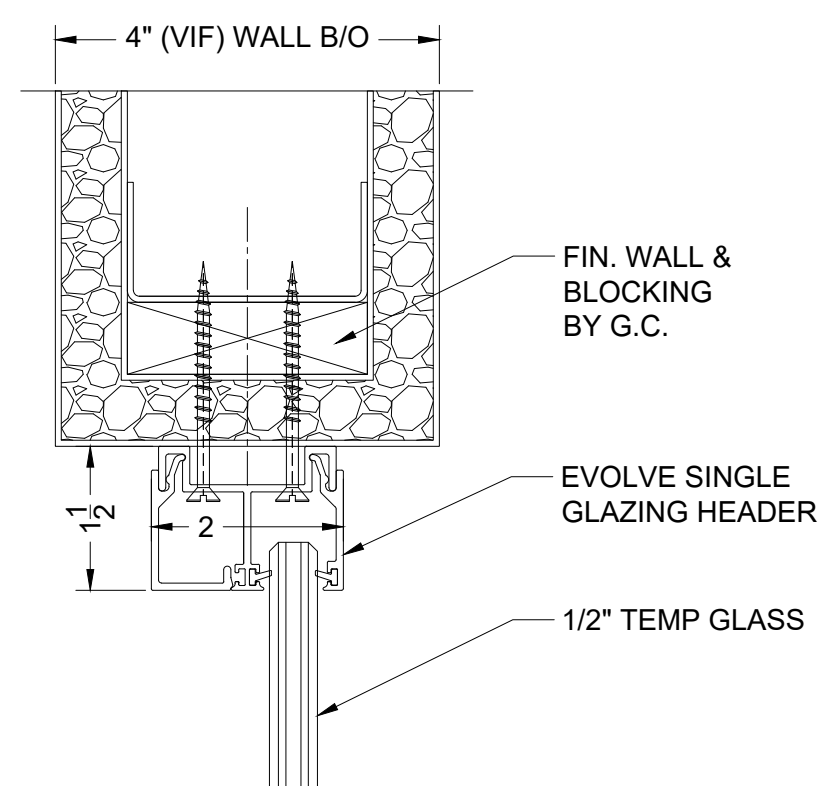
DETAIL @SINGLE GLASS FIN
6" = 1'-0" **BJ1**



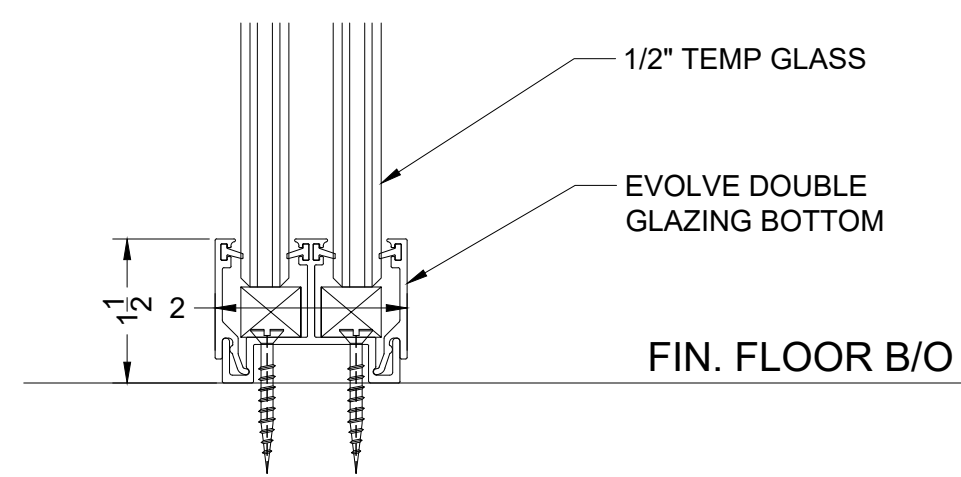
DETAIL@SINGLE GLASS RETURN
6" = 1'-0" **D1**



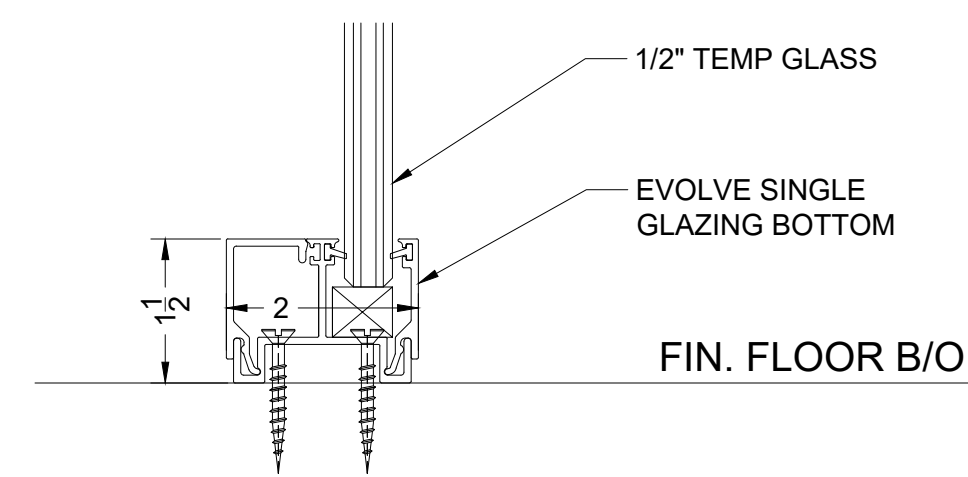
HEAD DETAIL @ FIXED DBL GLAZING PANEL
6" = 1'-0" **E**



HEAD DETAIL @ FIXED SINGLE GLAZING PANEL
6" = 1'-0" **E1**



BOTTOM DETAIL @ FIXED DBL GLAZING PANEL
6" = 1'-0" **F**



BOTTOM DETAIL @ FIXED SINGLE GLAZING PANEL
6" = 1'-0" **F1**

NOTES:

1. ALL DIMENSIONS ARE TO BE VERIFIED IN FIELD;
2. HEIGHTS MAY VARY ALONG FLOOR BASED ON FIELD CONDITION.
3. G.C. TO PROVIDE BLOCKING AT ALL THE WALL/HEADER WHERE POST/TRACK EXISTS;
4. GLASS TYPES:
THICKNESS: 3/8", 1/2", 5/8"
CLEAR TEMPERED
LOW IRON TEMPERED
CLEAR LAMINATED
5. FINISHES:
CLEAR ANODIZED
BLACK ANODIZED
POWDER COAT
BRUSHED SATIN
MEDIUM BRONZE
6. STD LEAD TIME: 6 WEEKS
7. CONTACT: info@tagwallny.com
estimating@tagwallny.com

TAGWALL

321 W. 44TH ST, SUITE 200 NY, NY 10036
212.354.9255 tagwallny.com

PROJECT:

EVOLVE SYSTEM

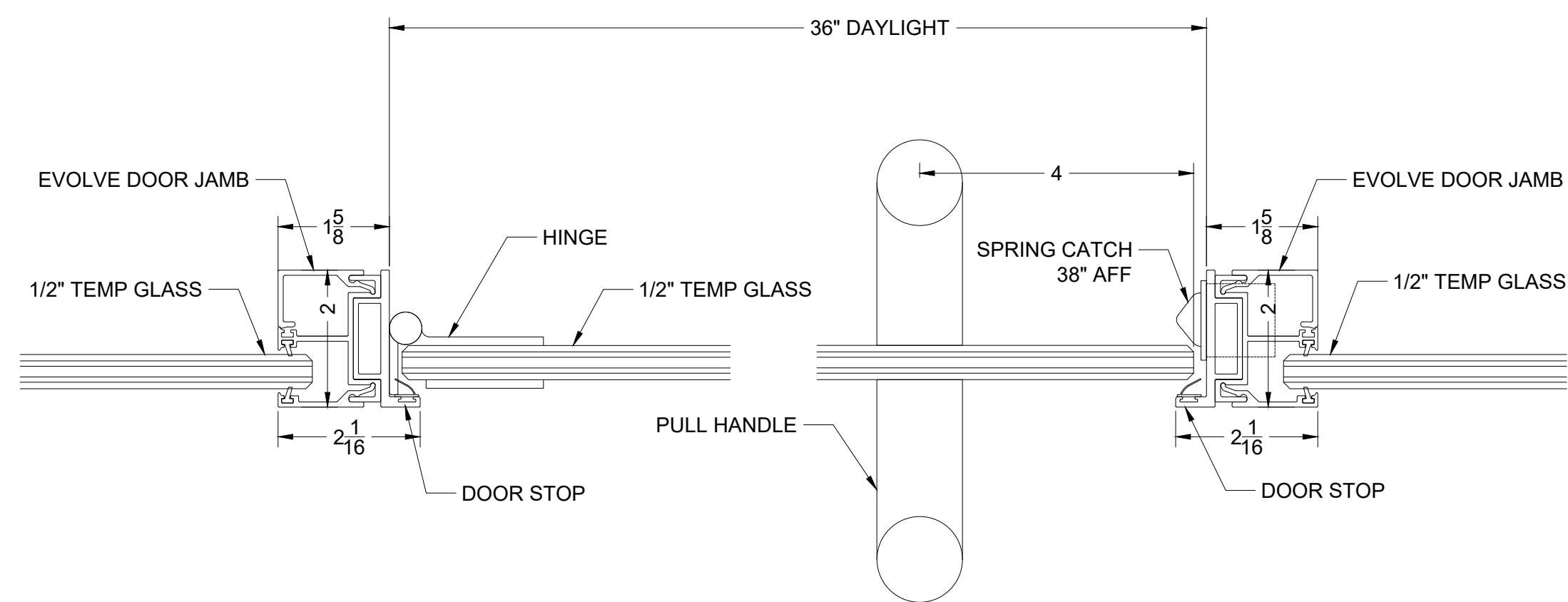
DATE: 11/25/2020

SCALE: 6" = 1'-0"

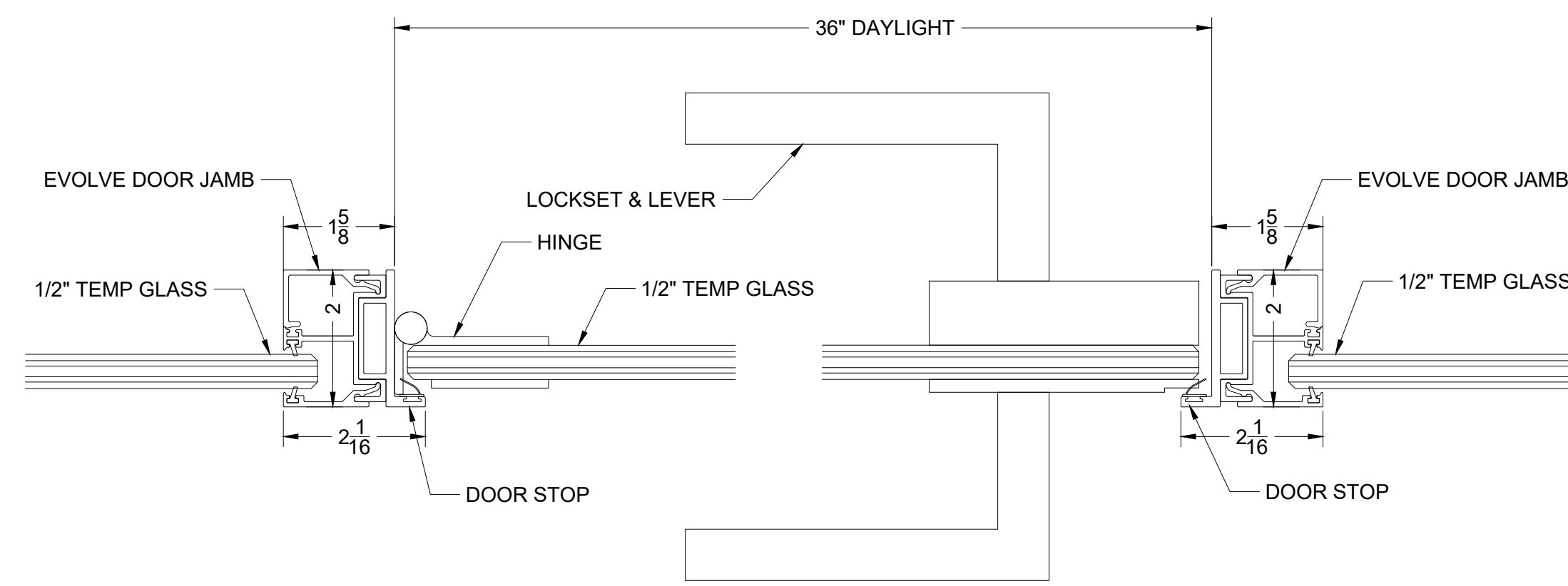
DRAWING No.

DRAWING TITLE:
DETAILS

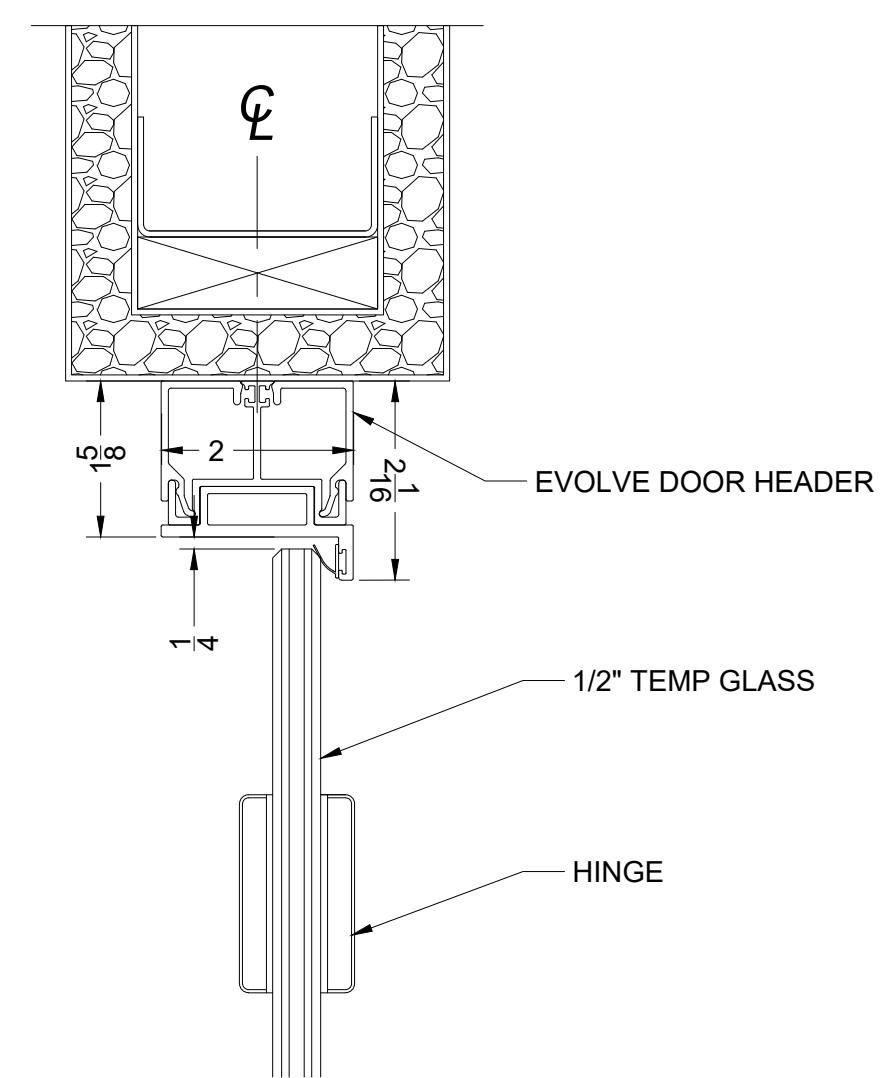
D-1



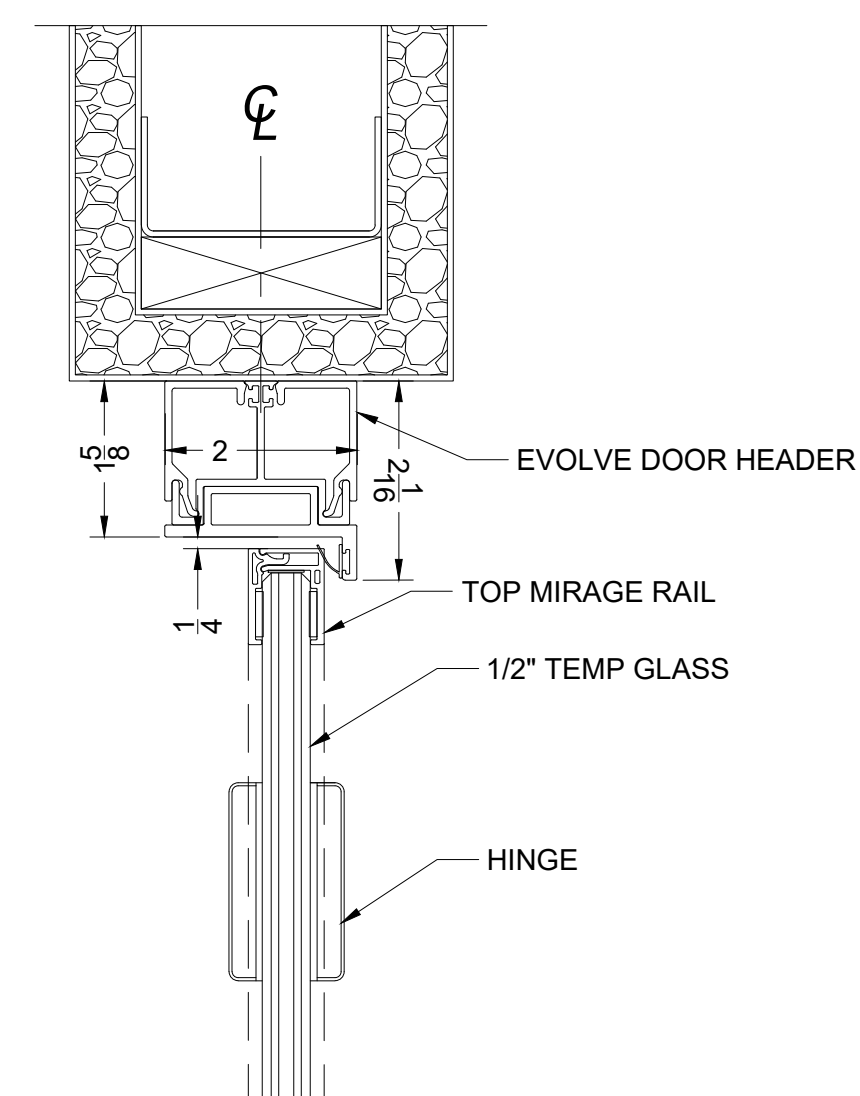
DETAIL @ SWING GLASS DOOR **C1**
6" = 1'-0"



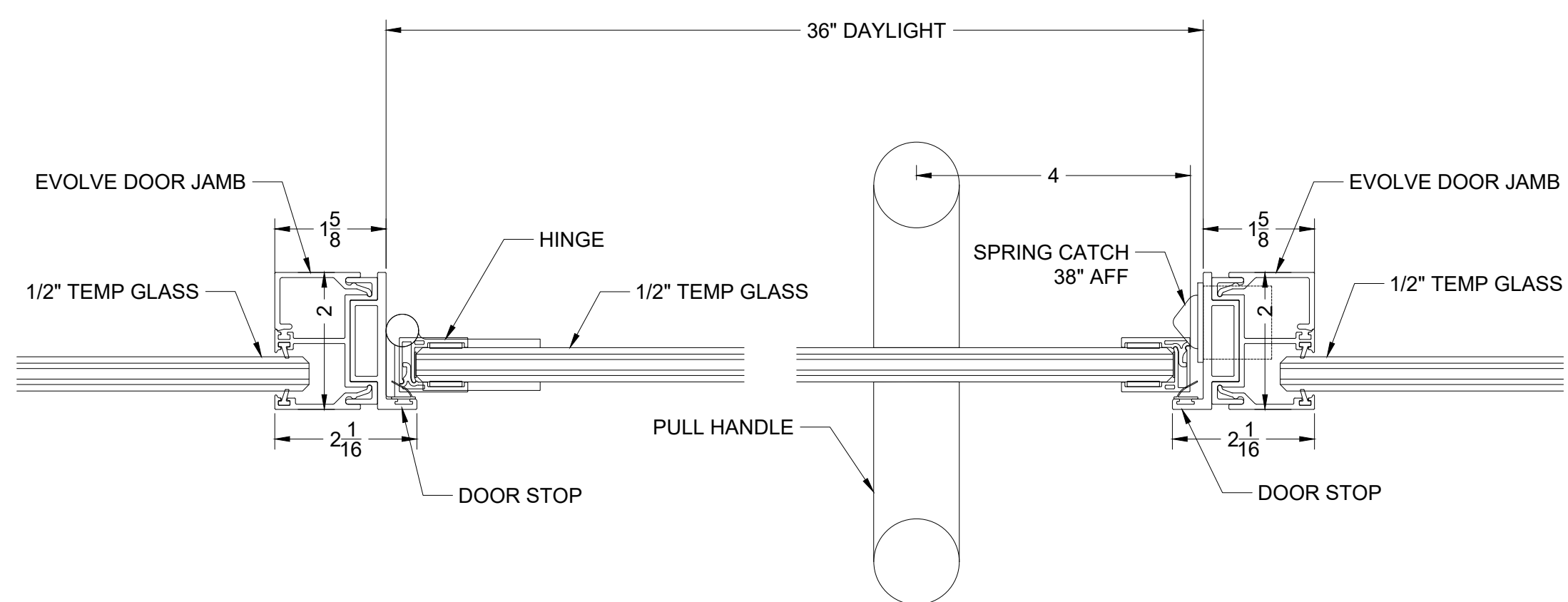
DETAIL @ SWING GLASS DOOR **C2**
6" = 1'-0"



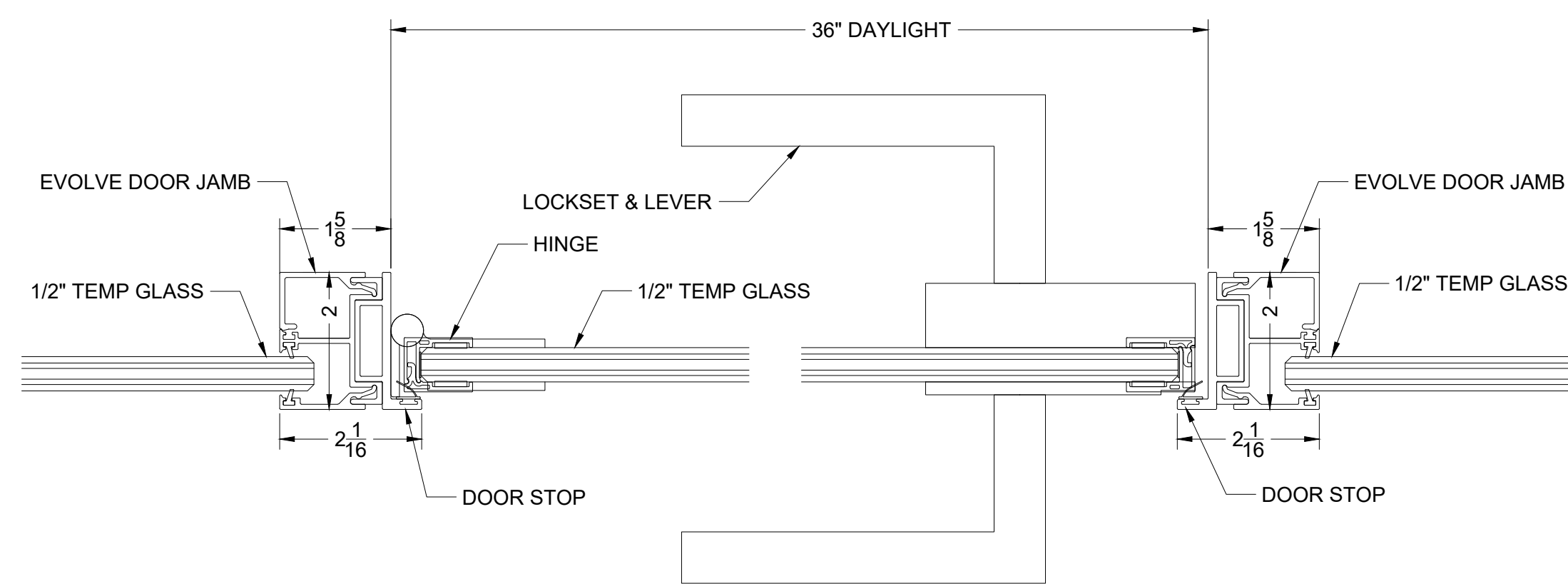
HEAD DETAIL @ SWING DOOR **G1**
6" = 1'-0"



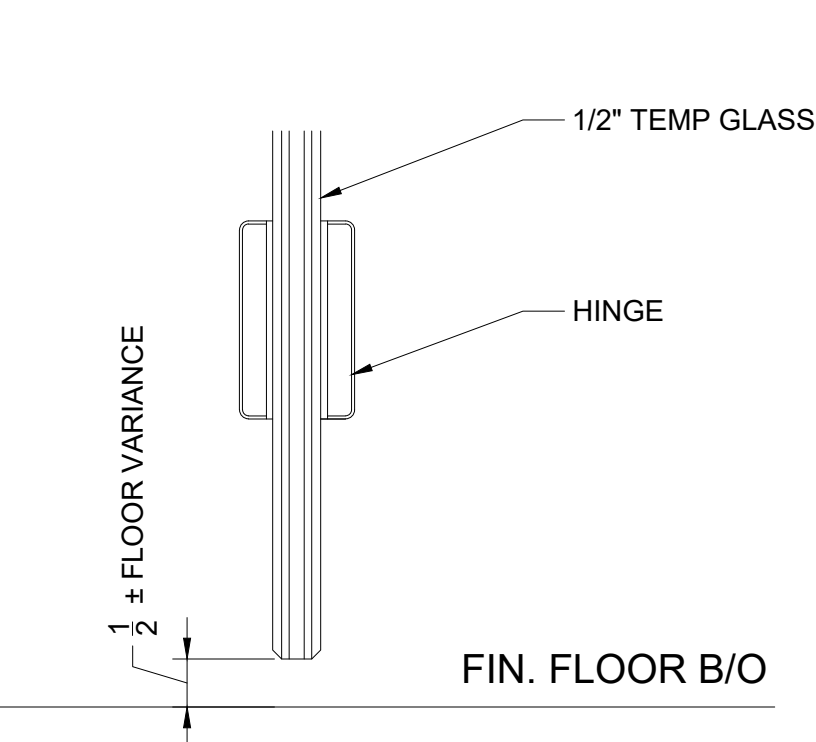
HEAD DETAIL @ SWING DOOR **G2**
6" = 1'-0"



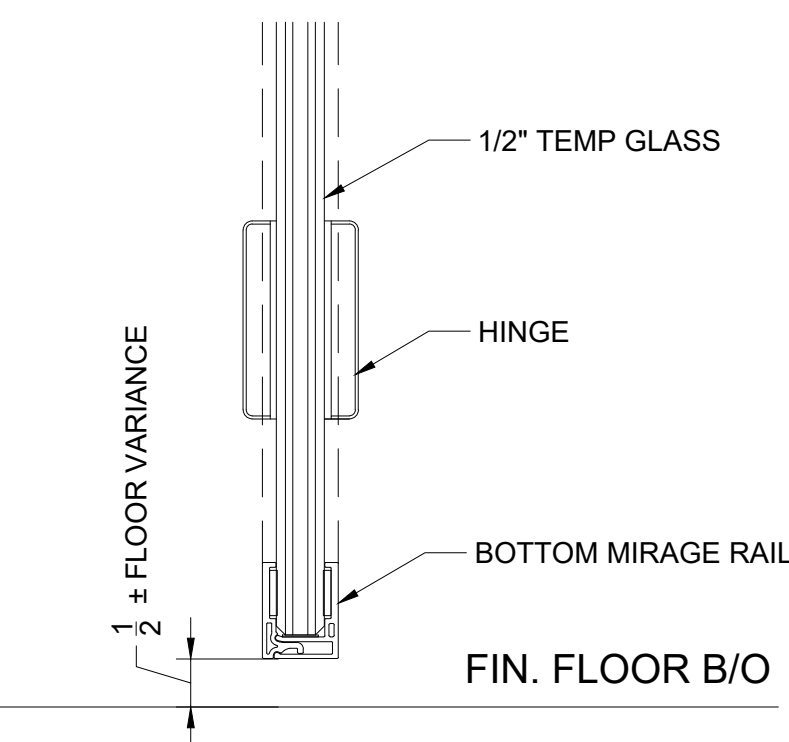
DETAIL @ SWING GLASS DOOR **C3**
6" = 1'-0"



DETAIL @ SWING GLASS DOOR **C4**
6" = 1'-0"



BOTTOM DETAIL @ SWING DOOR **H1**
6" = 1'-0"



BOTTOM DETAIL @ SWING DOOR **H2**
6" = 1'-0"

NOTES:

1. ALL DIMENSIONS ARE TO BE VERIFIED IN FIELD;
2. HEIGHTS MAY VARY ALONG FLOOR BASED ON FIELD CONDITION.
3. G.C. TO PROVIDE BLOCKING AT ALL THE WALL/HEADER WHERE POST/TRACK EXISTS;
4. GLASS TYPES:
THICKNESS: 3/8", 1/2", 5/8"
CLEAR TEMPERED
LOW IRON TEMPERED
CLEAR LAMINATED
5. FINISHES:
CLEAR ANODIZED
BLACK ANODIZED
POWDER COAT
BRUSHED SATIN
MEDIUM BRONZE
6. STD LEAD TIME: 6 WEEKS
7. CONTACT: info@tagwallny.com
estimating@tagwallny.com

TAGWALL

321 W. 44TH ST, SUITE 200 NY, NY 10036
212.354.9255 tagwallny.com

PROJECT:

EVOLVE SYSTEM

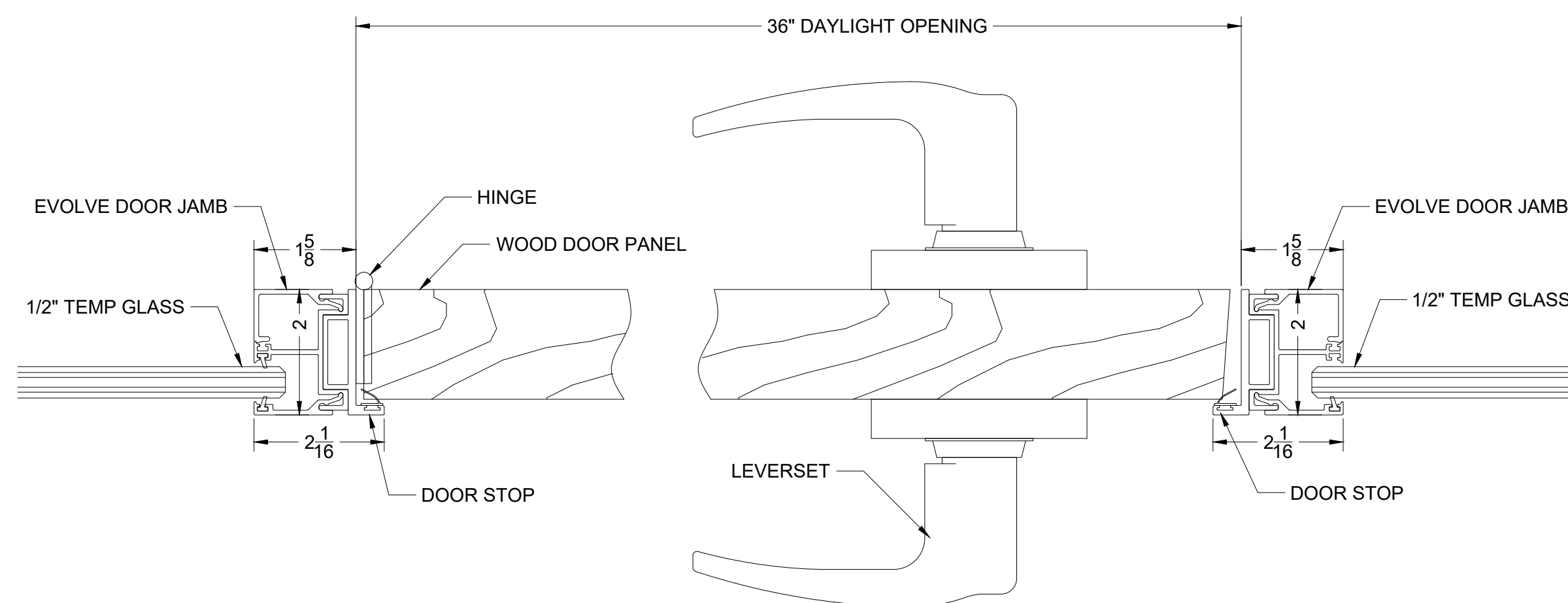
DATE: 11/25/2020

SCALE: 6" = 1'-0"

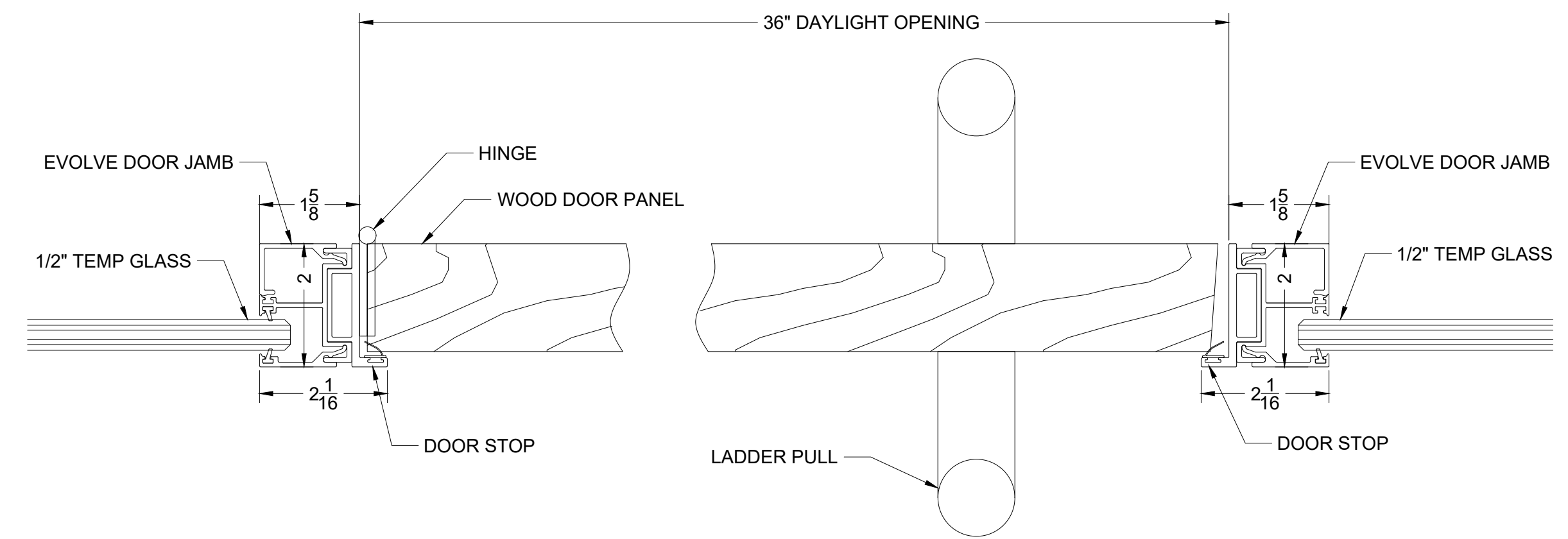
DRAWING No.

DRAWING TITLE:
DETAILS

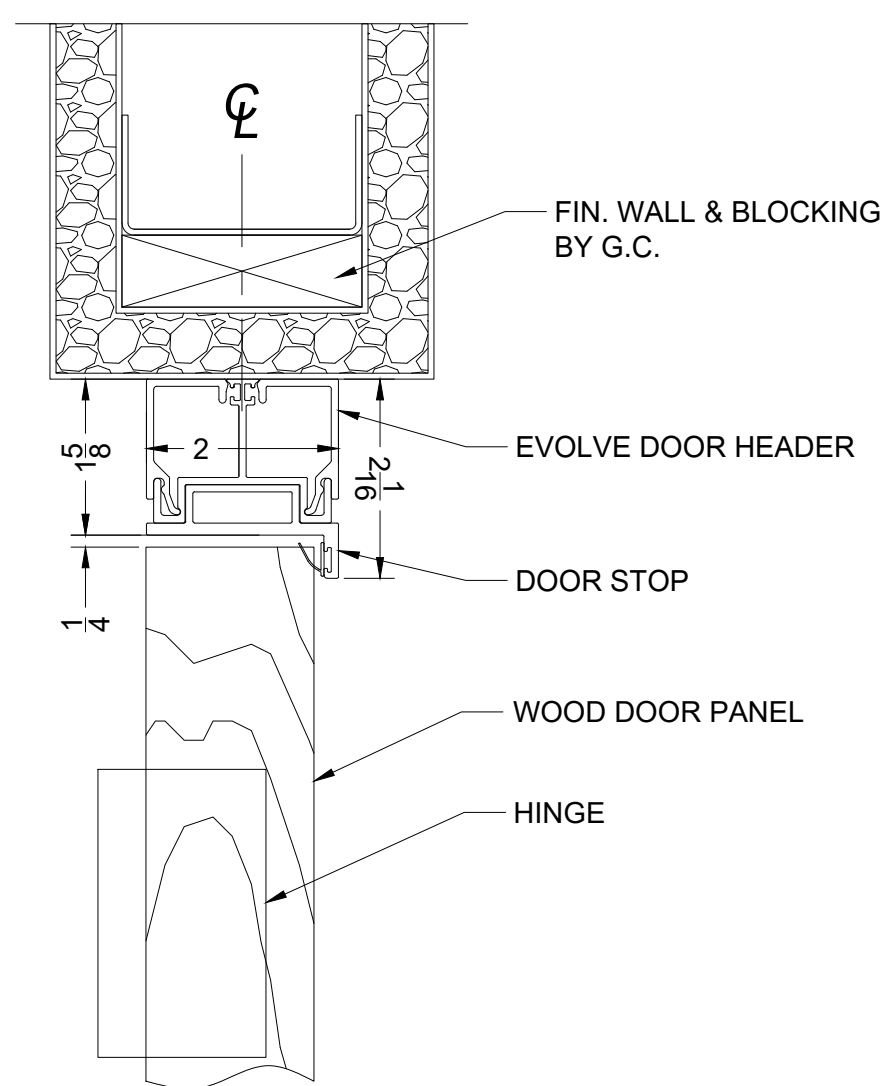
D-2



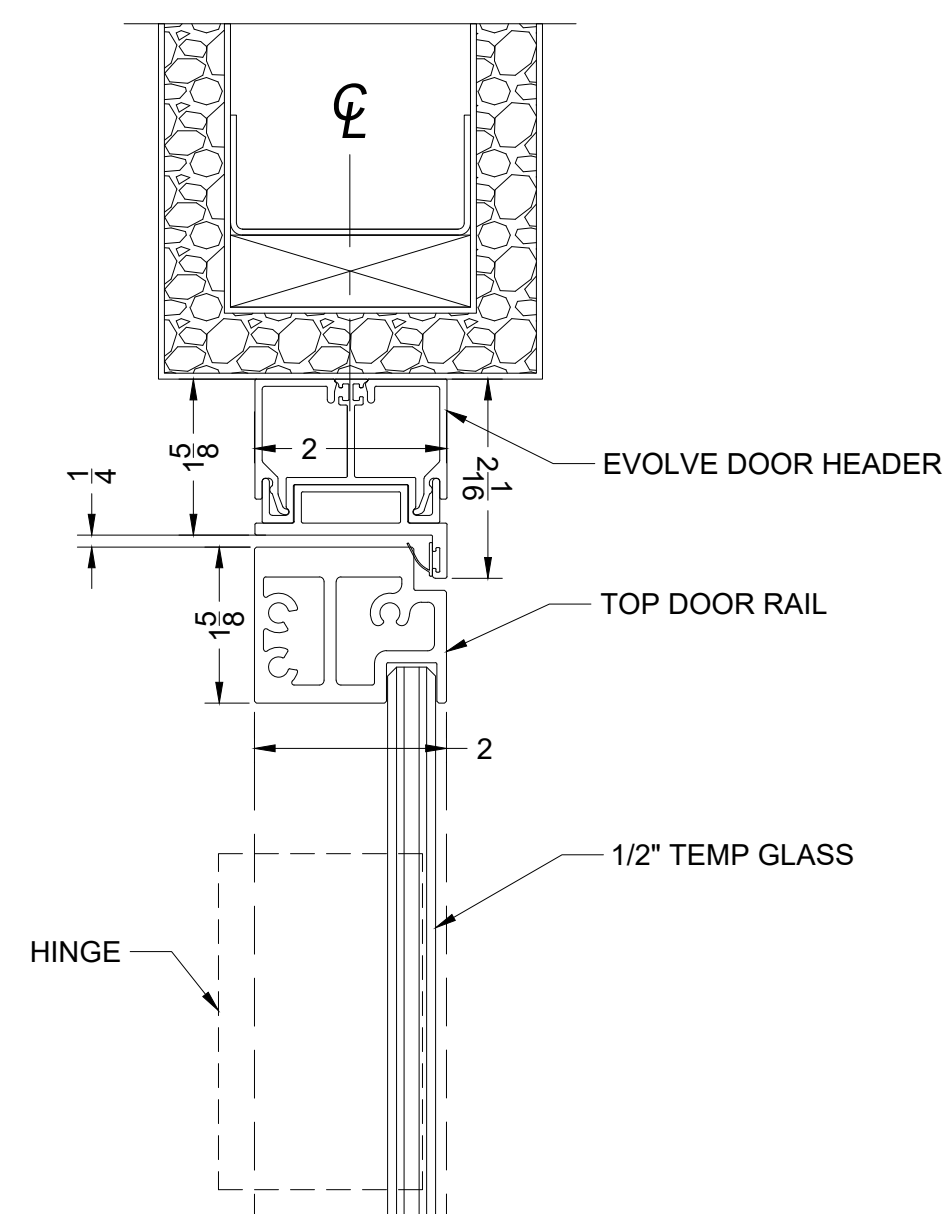
DETAIL @ HINGE WOOD DOOR & JAMB
6" = 1'-0" **C5**



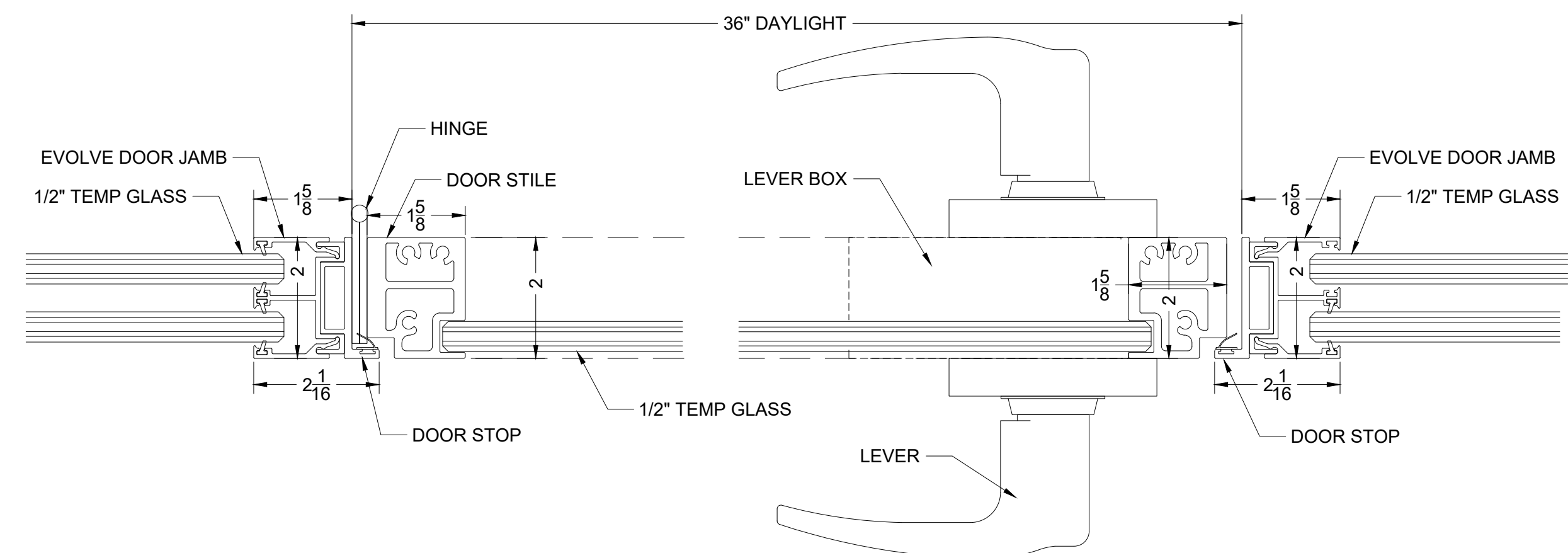
DETAIL @ HINGE WOOD DOOR JAMB / STRIKE
6" = 1'-0" **C6**



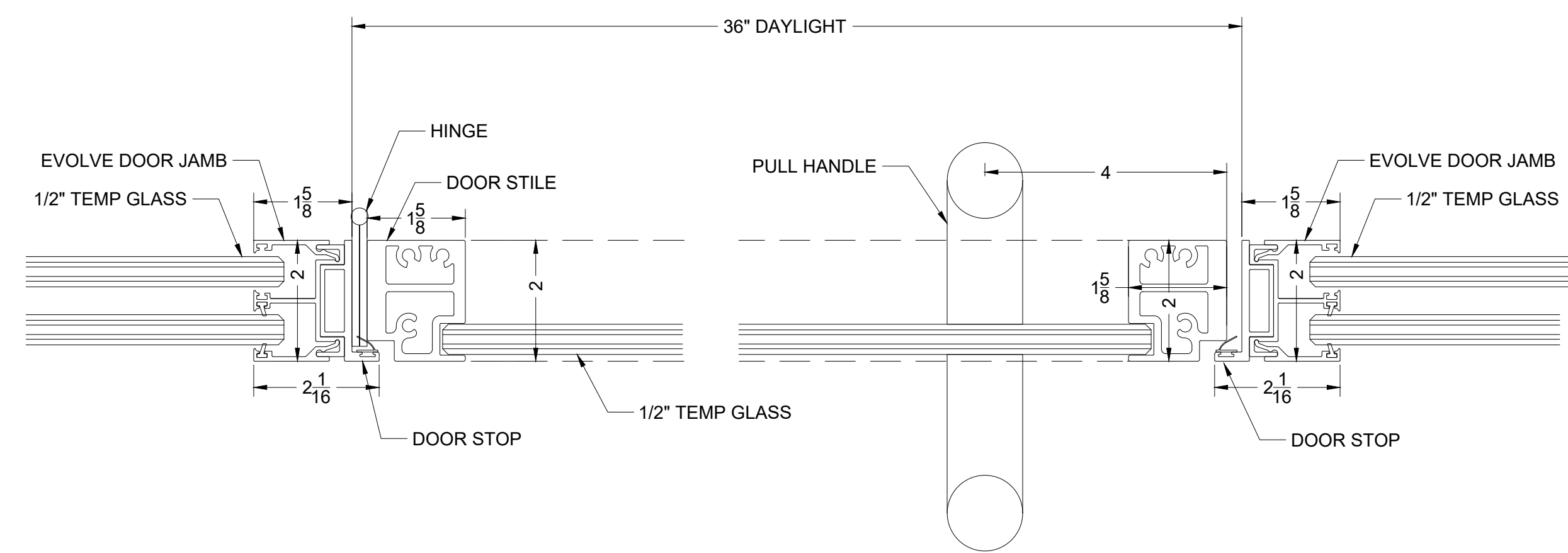
HEAD DETAIL @ WOOD SWING DOOR
6" = 1'-0" **G3**



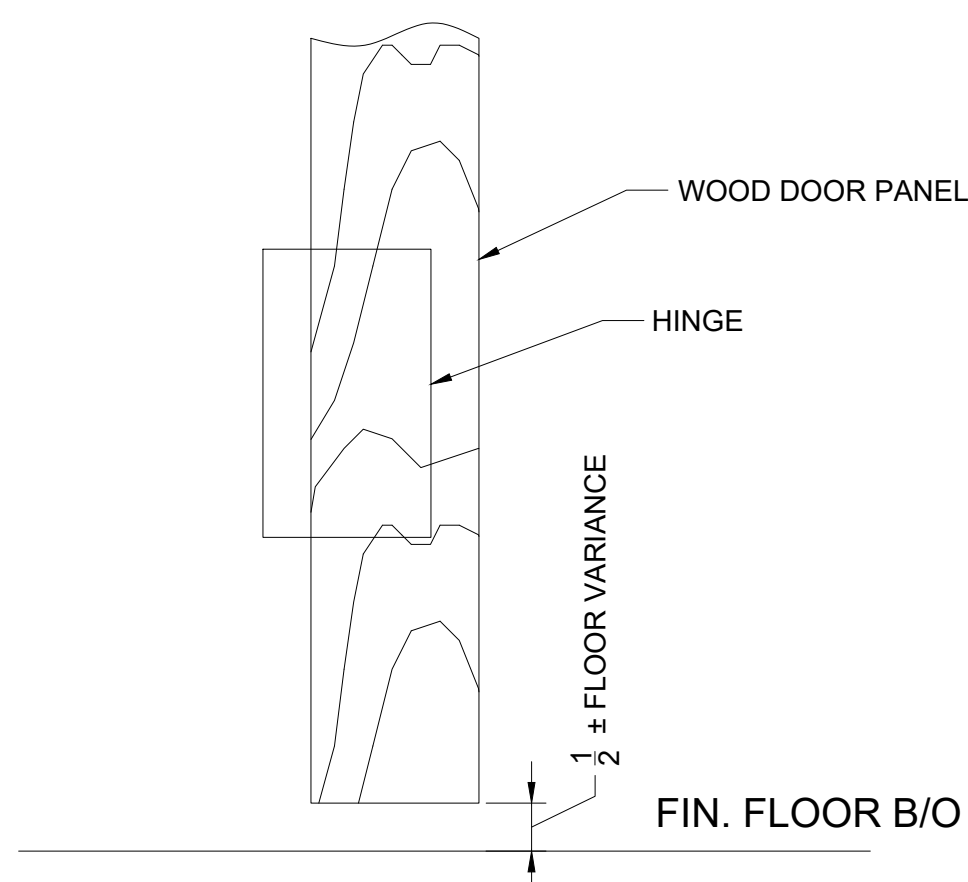
HEAD DETAIL @ FRAMED SWING DOOR
6" = 1'-0" **G4**



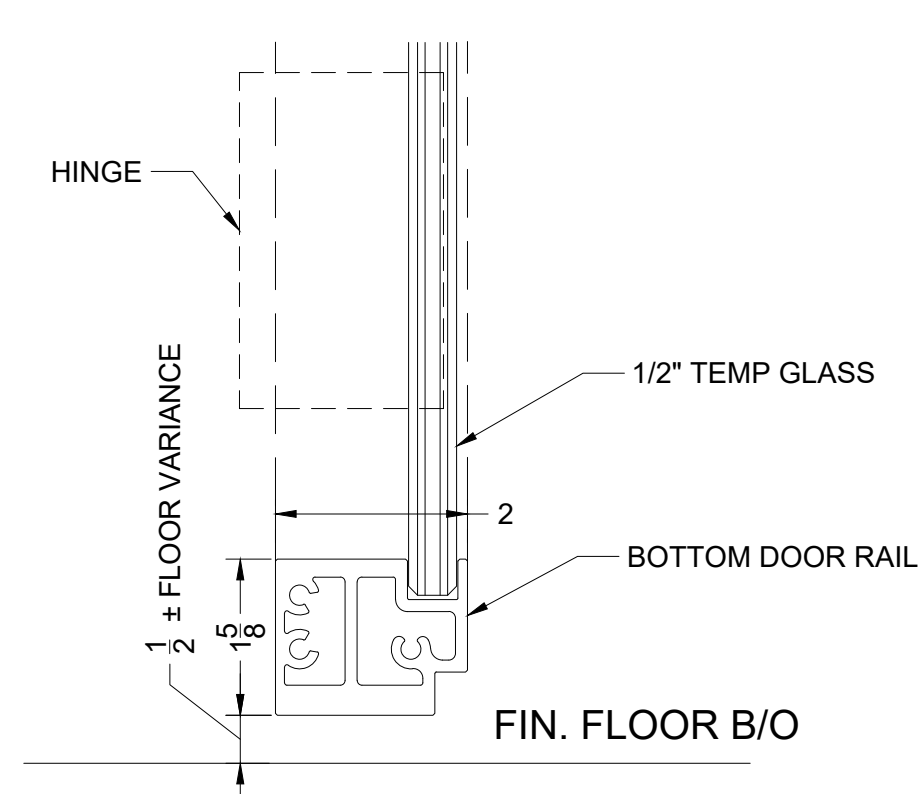
DETAIL @ FRAMED GLASS DOOR JAMB / STRIKE
6" = 1'-0" **C7**



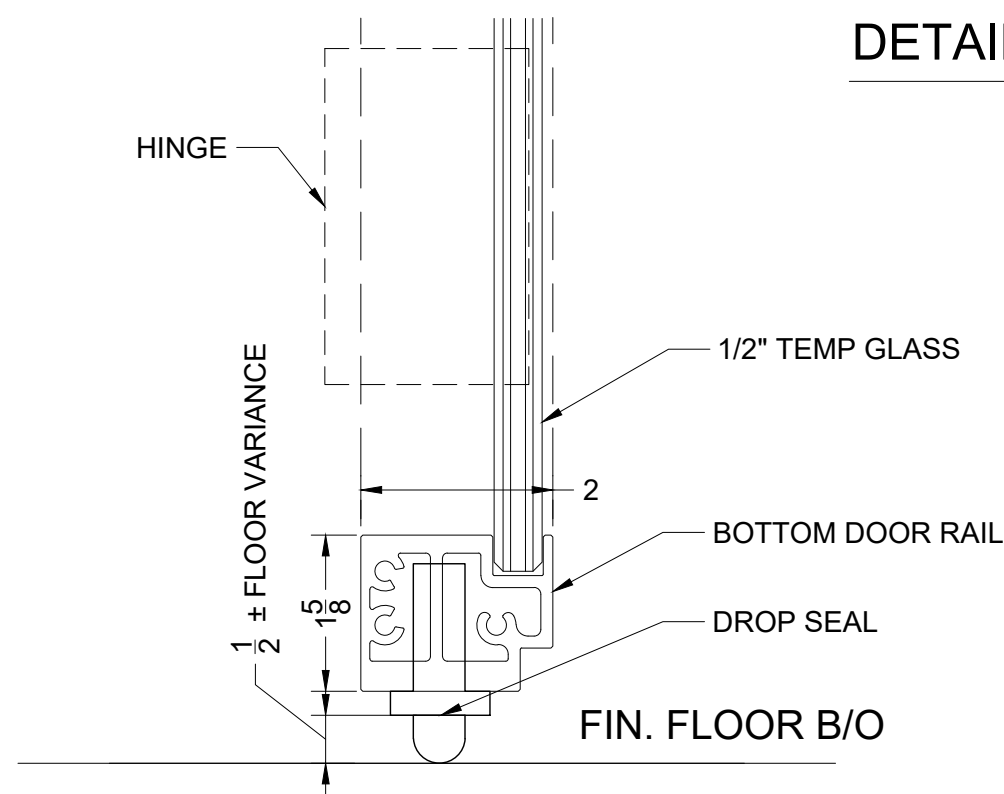
DETAIL @ HINGE FRAMED GLASS DOOR/JAMB
6" = 1'-0" **C8**



BOTTOM DETAIL @ WOOD SWING DOOR
6" = 1'-0" **H3**



BOTTOM DETAIL @ FRAMED SWING DOOR
6" = 1'-0" **H4**



BOTTOM DETAIL @ FRAMED SWING DOOR
6" = 1'-0" **H4A**

- NOTES:
1. ALL DIMENSIONS ARE TO BE VERIFIED IN FIELD;
 2. HEIGHTS MAY VARY ALONG FLOOR BASED ON FIELD CONDITION.
 3. G.C. TO PROVIDE BLOCKING AT ALL THE WALL/HEADER WHERE POST/TRACK EXISTS;
 4. GLASS TYPES:
THICKNESS: 3/8", 1/2", 5/8"
CLEAR TEMPERED
LOW IRON TEMPERED
CLEAR LAMINATED
 5. FINISHES:
CLEAR ANODIZED
BLACK ANODIZED
POWDER COAT
BRUSHED SATIN
MEDIUM BRONZE
 6. STD LEAD TIME: 6 WEEKS
 7. CONTACT: info@tagwallny.com
estimating@tagwallny.com

TAGWALL

321 W. 44TH ST., SUITE 200 NY, NY 10036
212.354.9255 tagwallny.com

PROJECT:

EVOLVE SYSTEM

DATE: 11/25/2020

SCALE: 6" = 1'-0"

DRAWING No.

DRAWING TITLE:

DETAILS

D-3