

- NOTES:
1. ALL DIMENSIONS ARE TO BE VERIFIED IN FIELD;
 2. HEIGHTS MAY VARY ALONG FLOOR BASED ON FIELD CONDITION.
 3. G.C. TO PROVIDE BLOCKING AT ALL THE WALL/HEADER WHERE POST/TRACK EXISTS;
 4. GLASS TYPES:
 THICKNESS: 3/8", 1/2", 5/8"
 CLEAR TEMPERED
 LOW IRON TEMPERED
 CLEAR LAMINATED
 ACOUSTIC LAMINATED
 LOW IRON LAMINATED
 5. FINISHES:
 CLEAR ANODIZED
 BLACK ANODIZED
 POWDER COAT
 BRUSHED SATIN
 MEDIUM BRONZE
 6. STD LEAD TIME: 3-5 WEEKS
 7. CONTACT: info@tagwallny.com
estimating@tagwallny.com

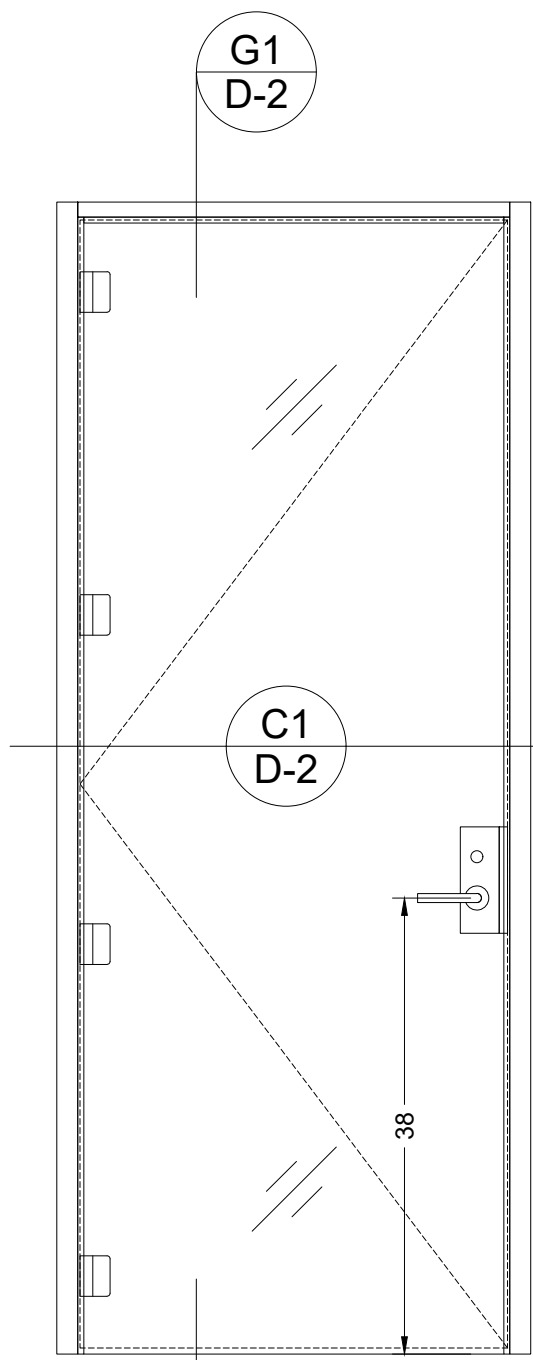
TAGWALL

321 W. 44TH ST, SUITE 200 NY, NY 10036
 212.354.9255 tagwallny.com

PROJECT:
ENCORE SYSTEM

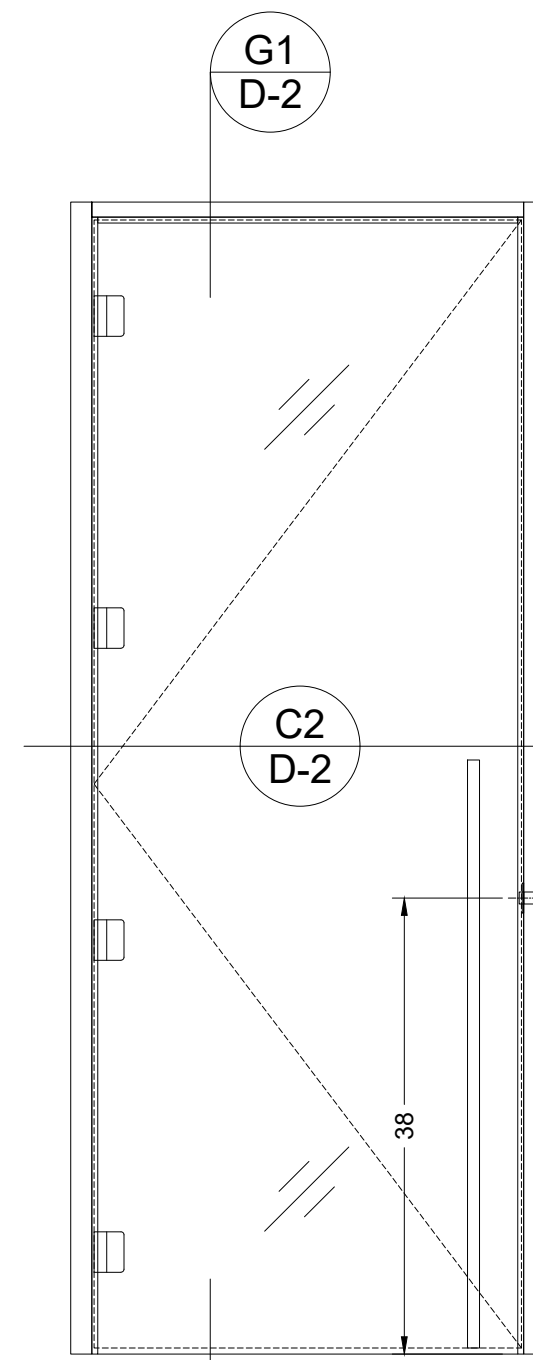
DATE: 11/25/2020 SCALE: 3/8" = 1'-0"
 DRAWING TITLE:
ELEVATIONS

DRAWING No.
E-1



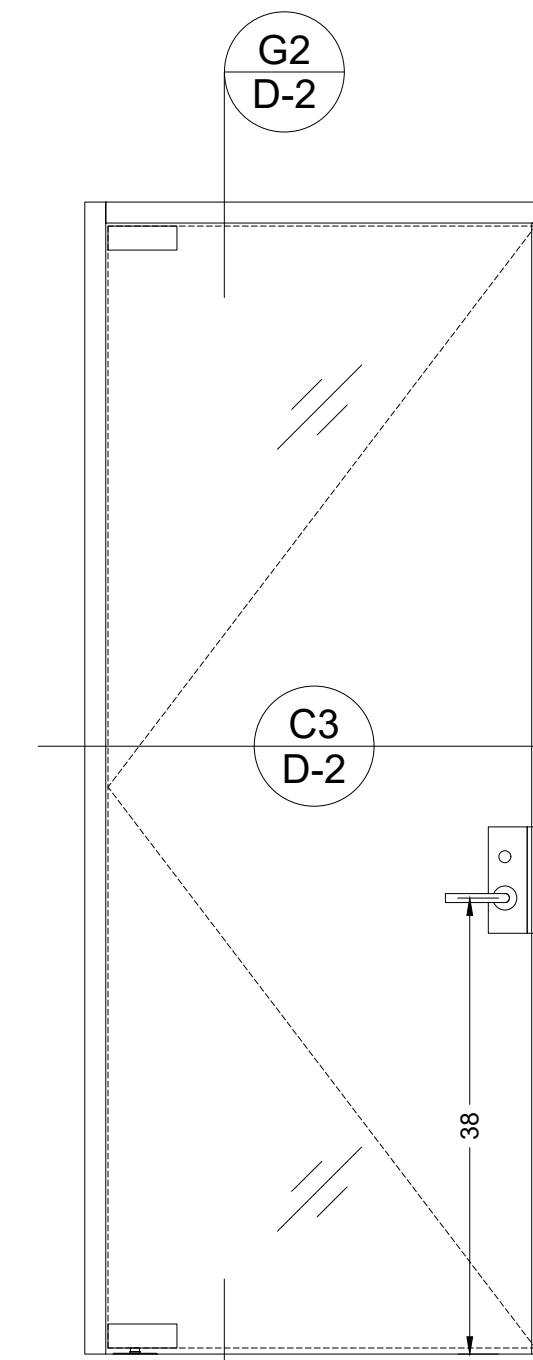
H1
D-2

1/2" GLASS DOOR
BUTT HINGES
LEVER SET



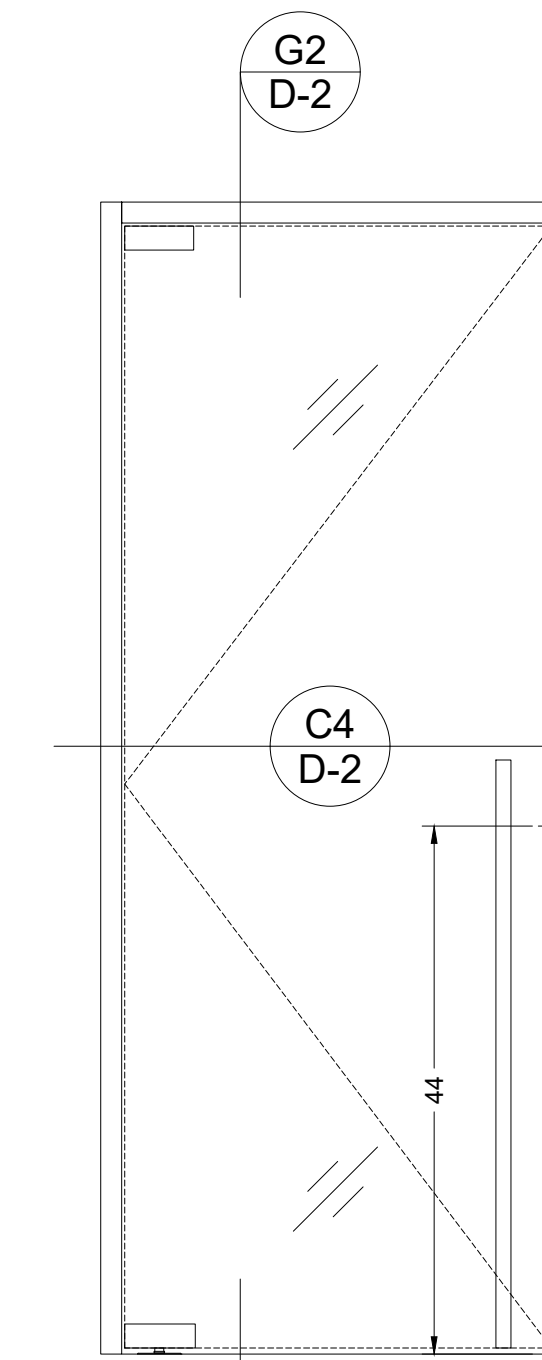
H1
D-2

1/2" GLASS DOOR
BUTT HINGES
LADDER PULLS



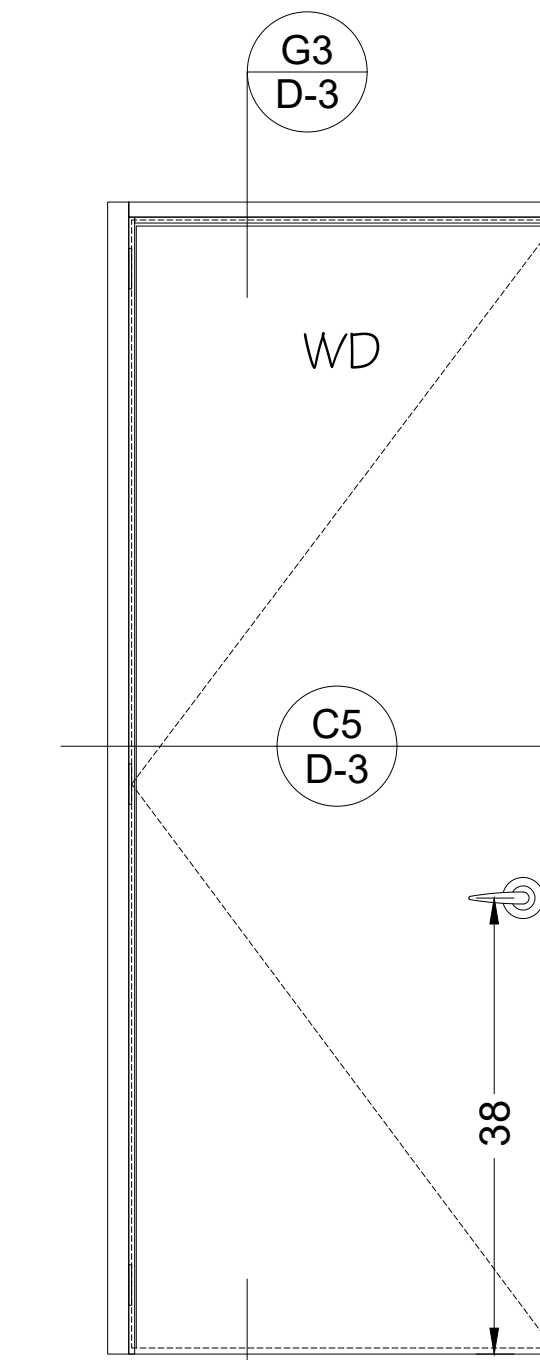
H2
D-2

1/2" GLASS DOOR
TOP/BOTTOM PATCH FITTINGS
LEVER SET



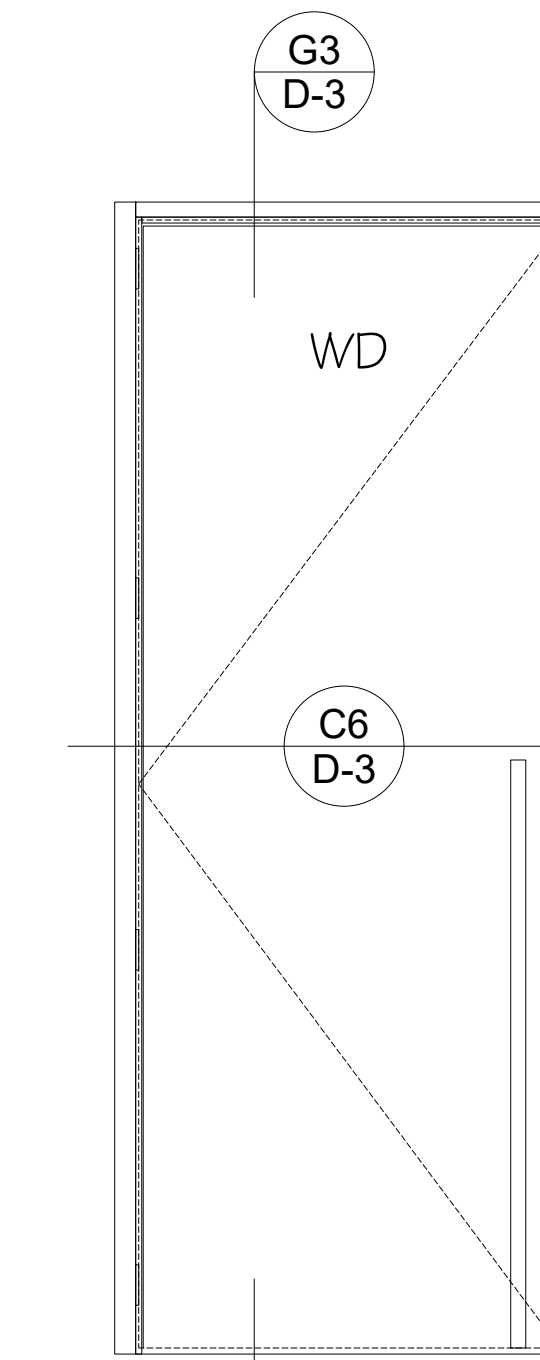
H2
D-2

1/2" GLASS DOOR
TOP/BOTTOM PATCH FITTINGS
LADDER PULLS



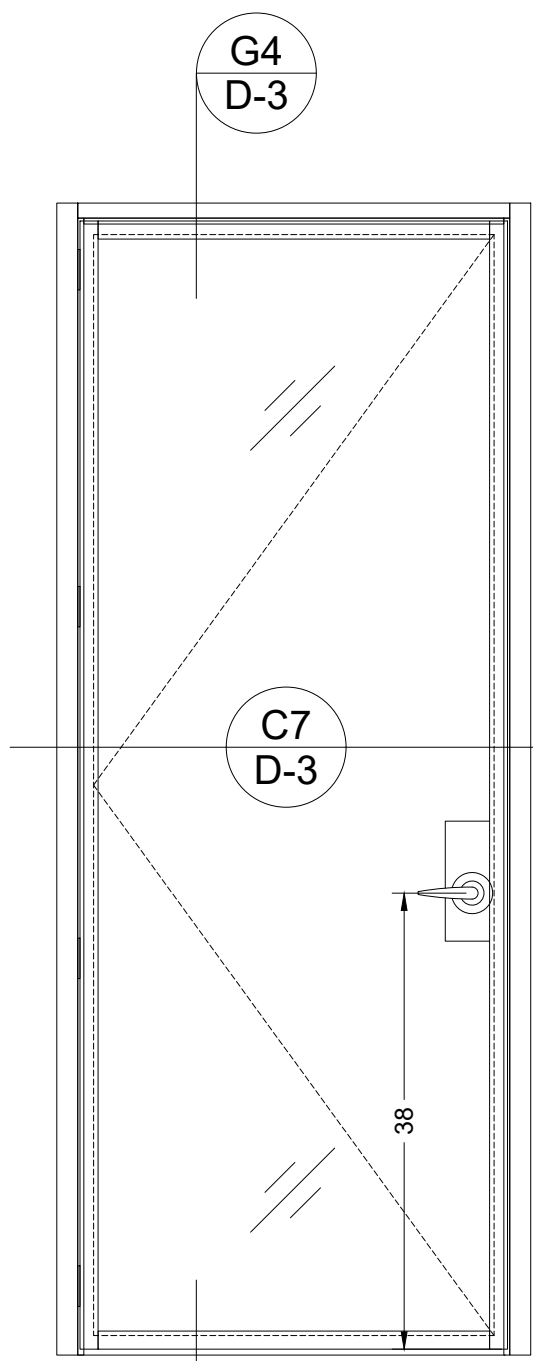
H3
D-3

1 3/4" WOOD DOOR
BUTT HINGES
LEVER SET



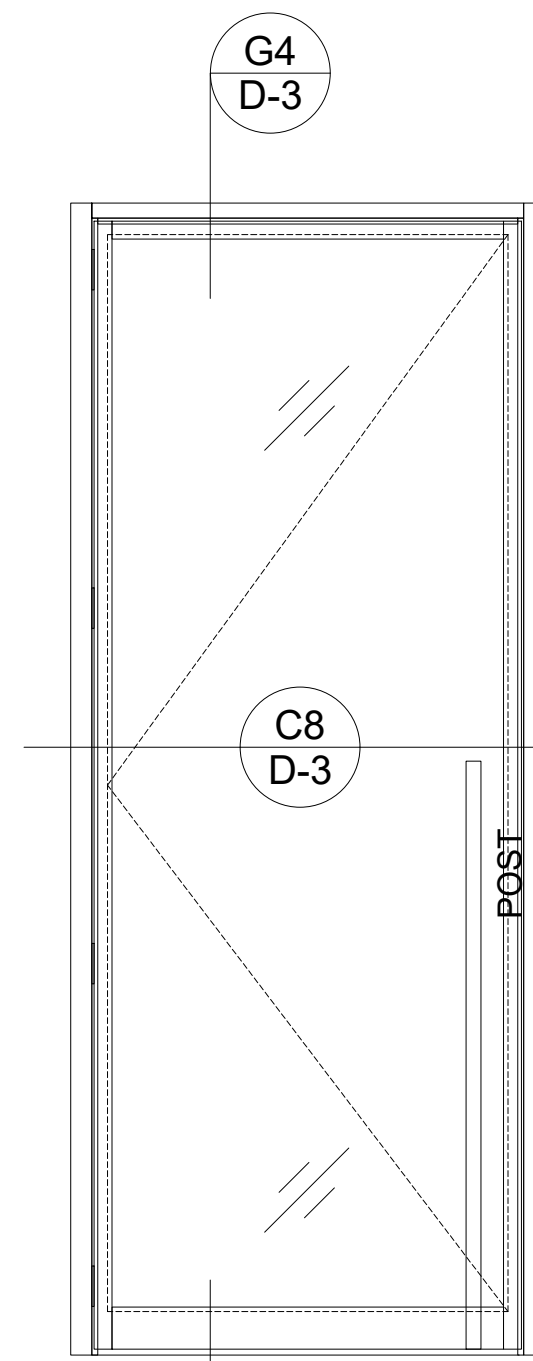
H3
D-3

1 3/4" WOOD DOOR
BUTT HINGES
LADDER PULLS



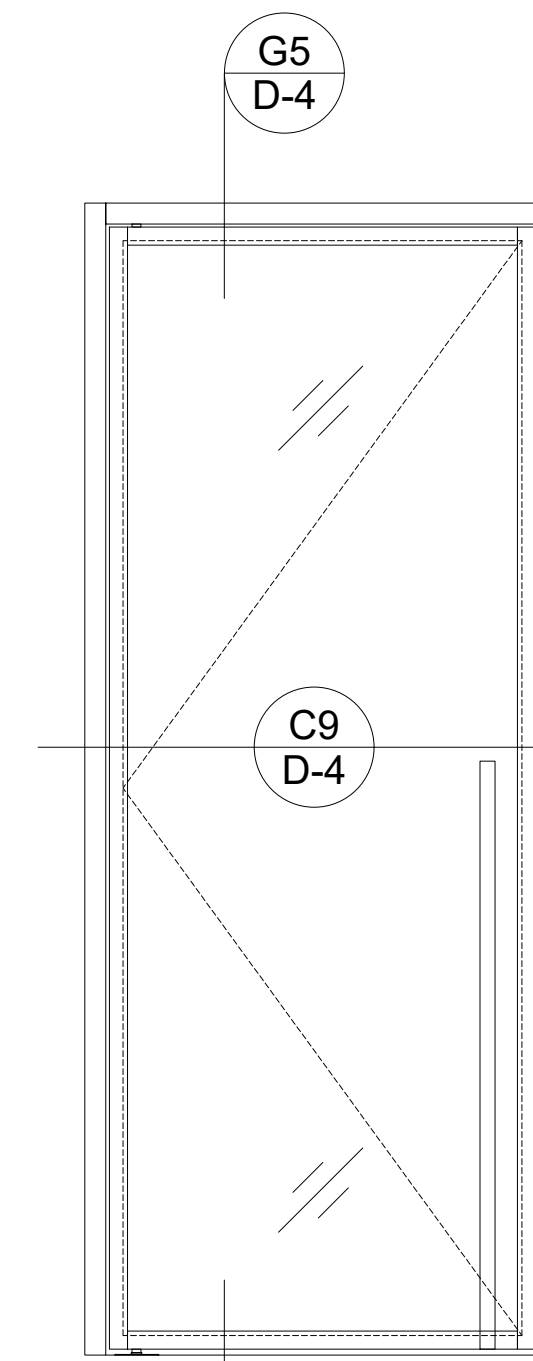
H4
D-3

FULLY FRAMED GLASS DOOR
BUTT HINGES
LEVER SET



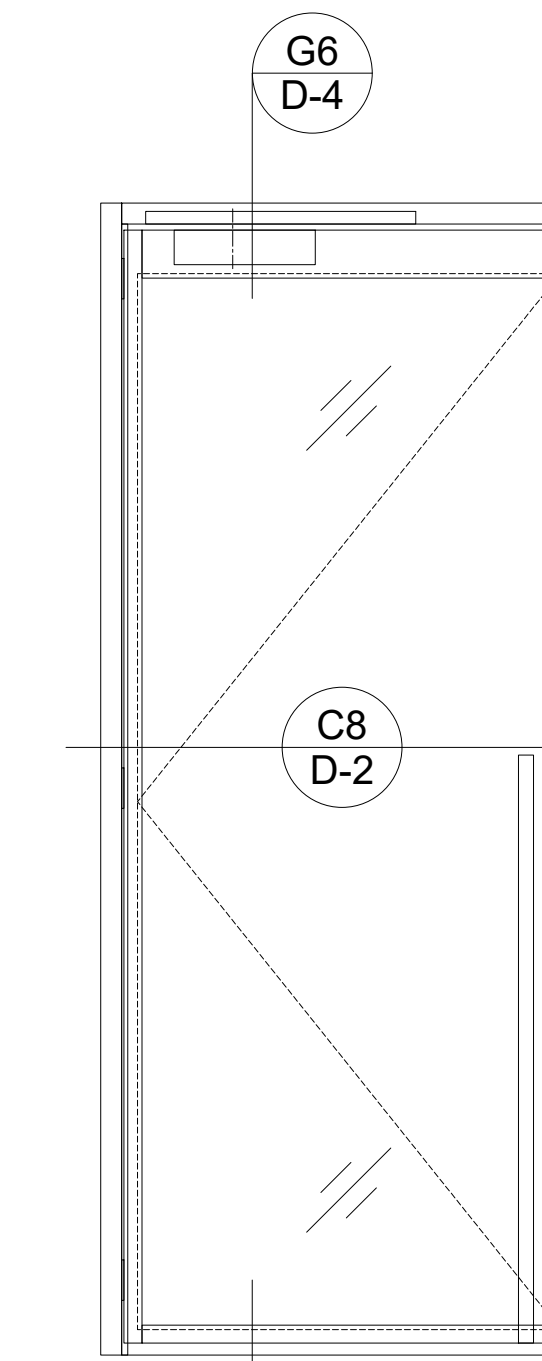
H4A
D-3

FULLY FRAMED GLASS DOOR
BUTT HINGES
LADDER PULL
DROP SEAL



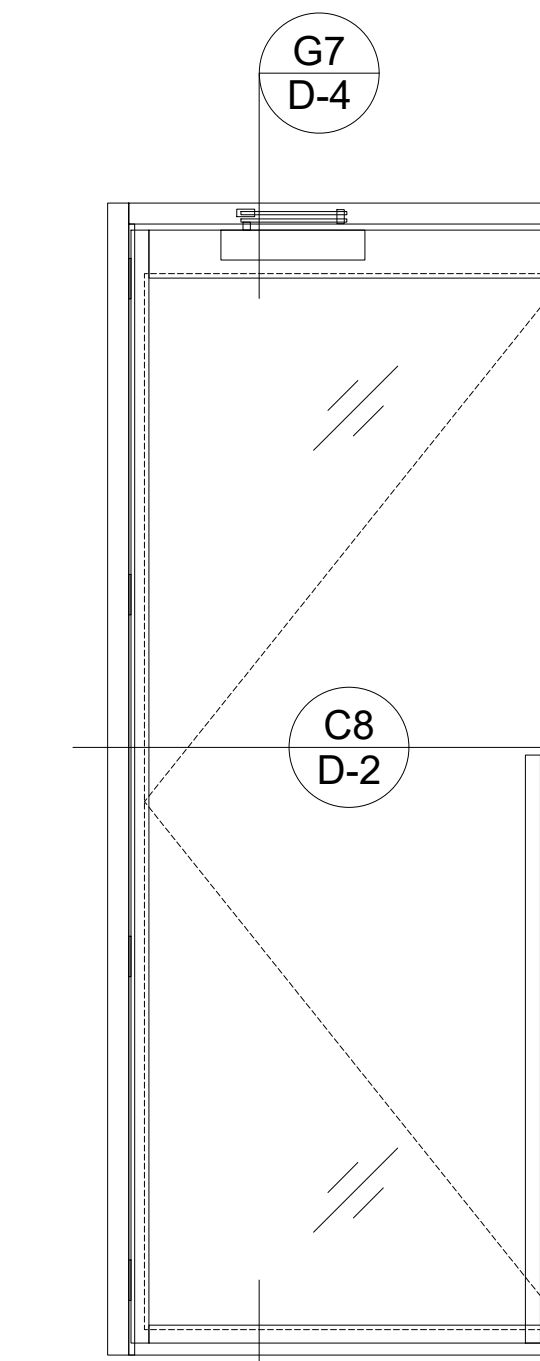
H5
D-4

FULLY FRAMED GLASS DOOR
TOP/BOTTOM PIVOT
LADDER PULL



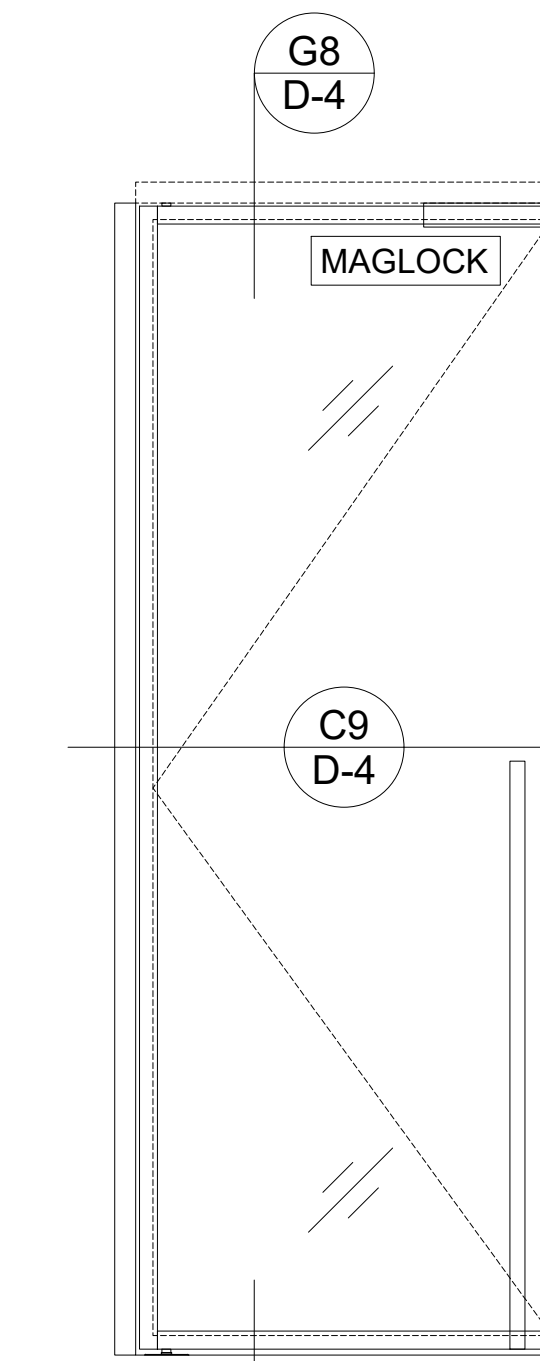
H4
D-3

FULLY FRAMED GLASS DOOR
BUTT HINGES
LADDER PULL
CONCEALED DOOR CLOSER



H4
D-3

FULLY FRAMED GLASS DOOR
BUTT HINGES
LADDER PULL
ARM DOOR CLOSER



H5
D-4

FULLY FRAMED GLASS DOOR
TOP/BOTTOM PIVOT
LADDER PULL
RECESSED DOOR CLOSER
MAGLOCK

NOTES:

1. ALL DIMENSIONS ARE TO BE VERIFIED IN FIELD;
2. HEIGHTS MAY VARY ALONG FLOOR BASED ON FIELD CONDITION.
3. G.C. TO PROVIDE BLOCKING AT ALL THE WALL/HEADER WHERE POST/TRACK EXISTS;
4. GLASS TYPES:
THICKNESS: 3/8", 1/2", 5/8"
CLEAR TEMPERED
LOW IRON TEMPERED
CLEAR LAMINATED
ACOUSTIC LAMINATED
LOW IRON LAMINATED
5. FINISHES:
CLEAR ANODIZED
BLACK ANODIZED
POWDER COAT
BRUSHED SATIN
MEDIUM BRONZE
6. STD LEAD TIME: 3-5 WEEKS
7. CONTACT: info@tagwallny.com
estimating@tagwallny.com

TAGWALL

321 W. 44TH ST., SUITE 200 NY, NY 10036
212.354.9255 tagwallny.com

PROJECT:

ENCORE SYSTEM

DATE: 11/25/2020

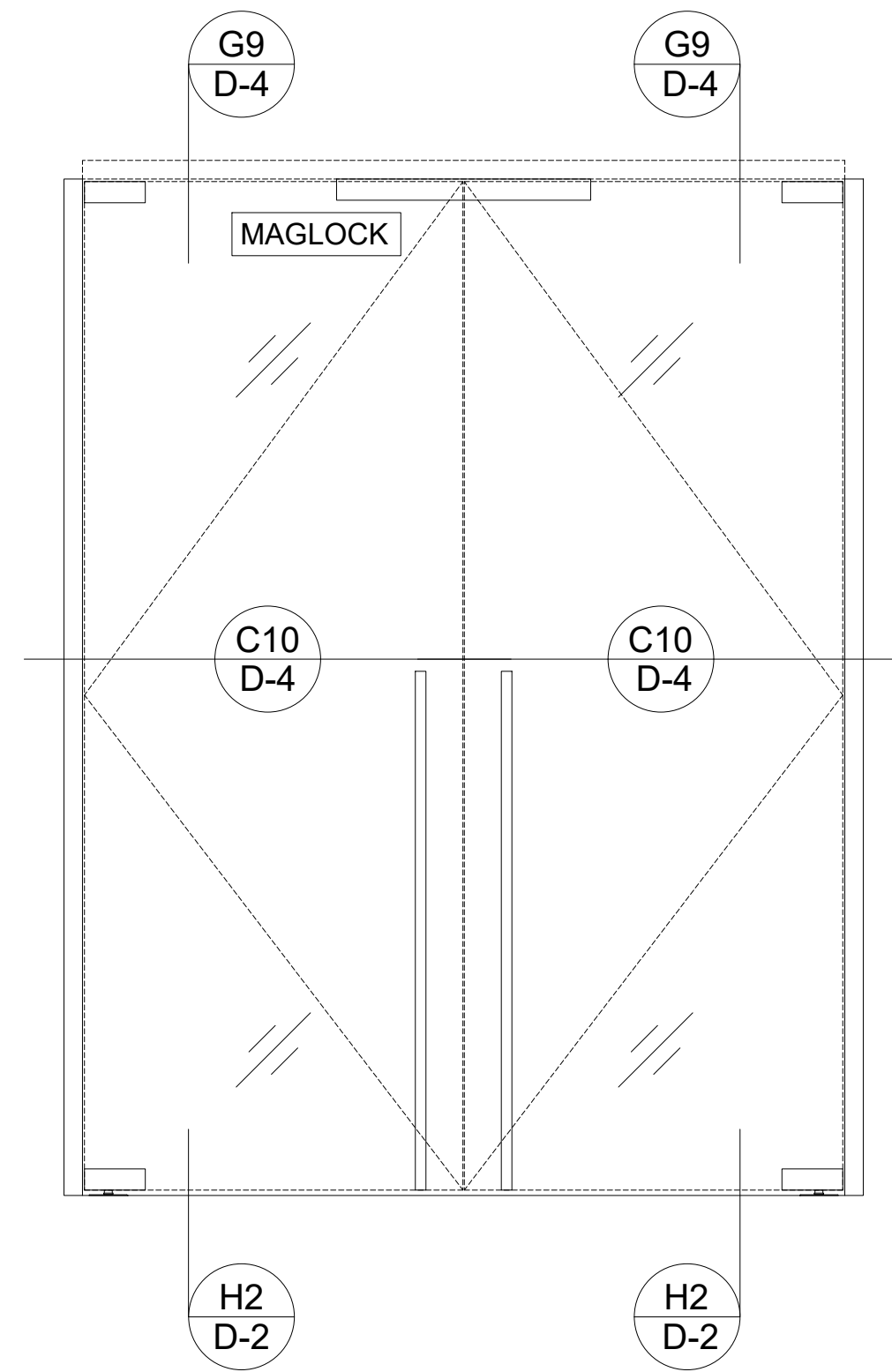
SCALE: 3/4" = 1'-0"

DRAWING No.

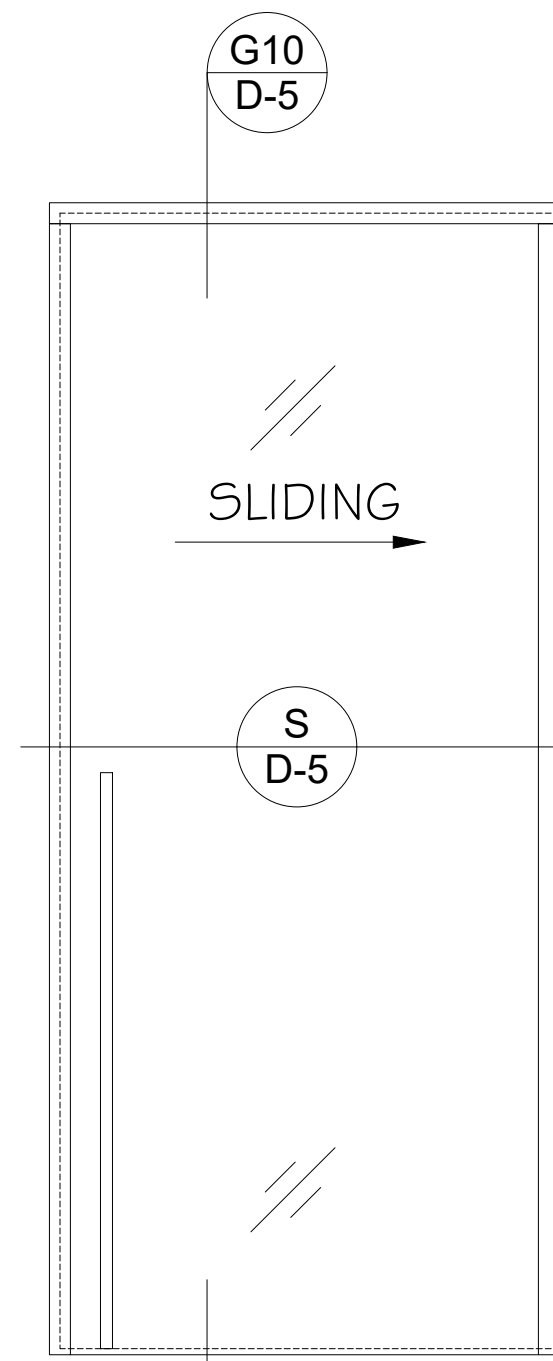
DRAWING TITLE:

ELEVATIONS

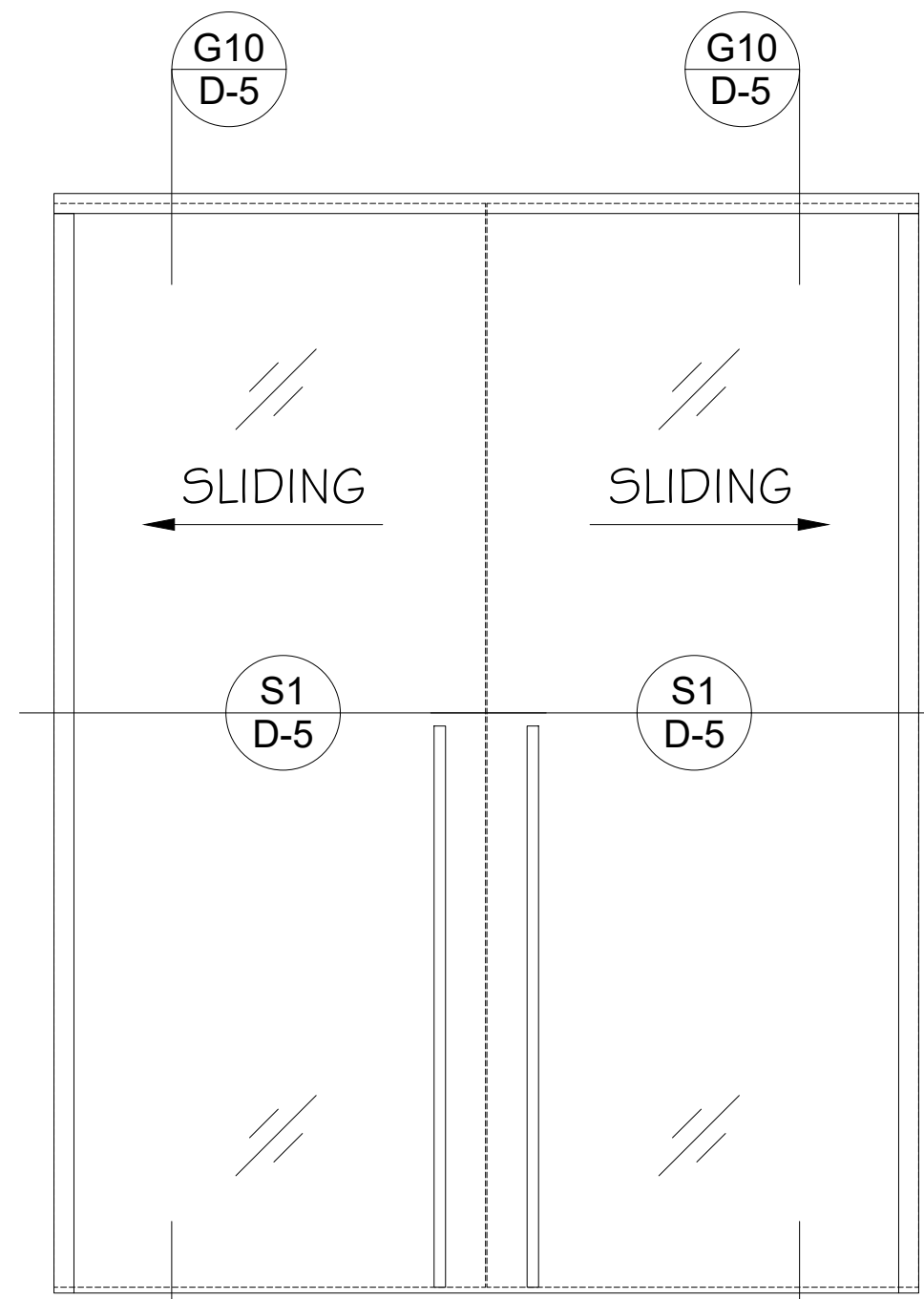
E-2



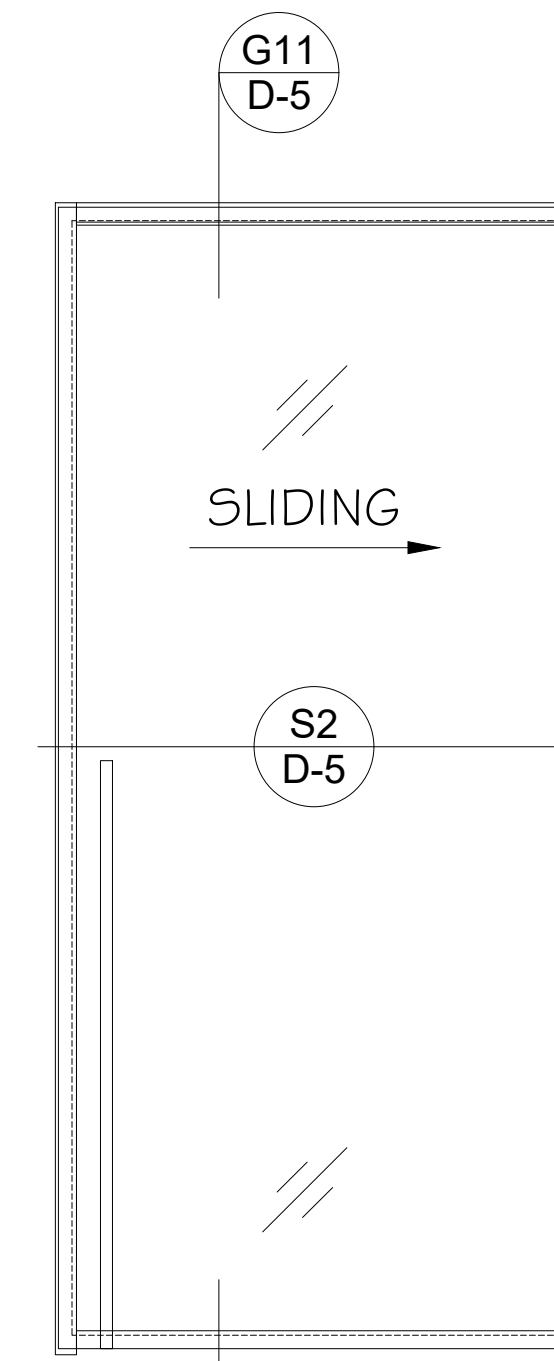
1/2" GLASS DOUBLE DOOR
TOP/BOTTOM PATCH FITTINGS
LADDER PULL



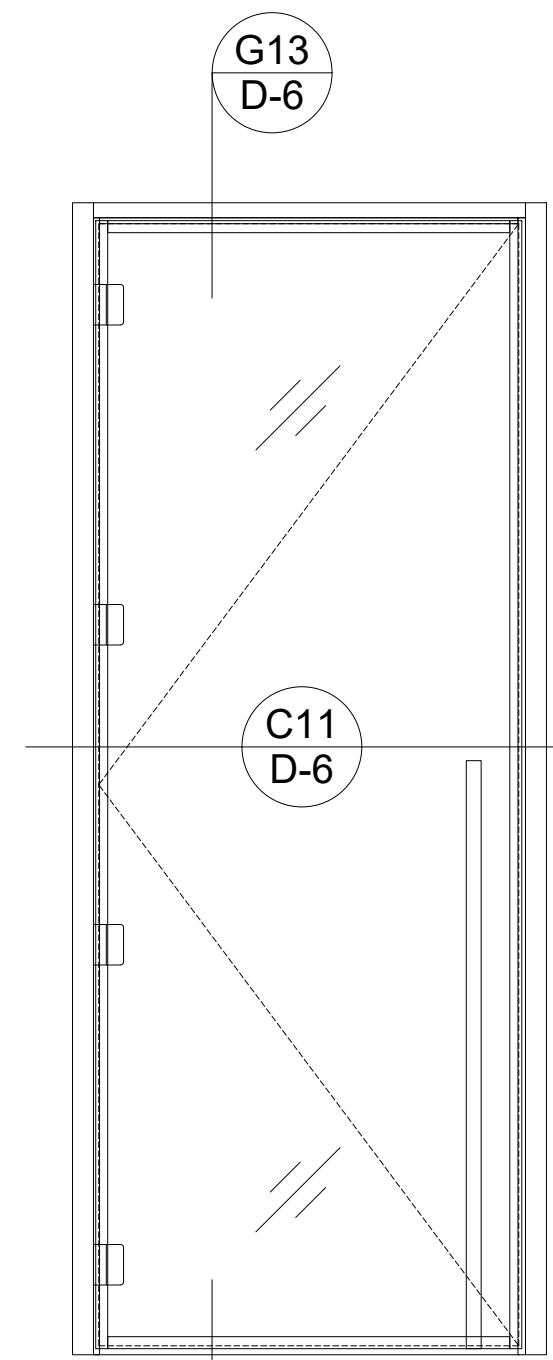
1/2" GLASS SLIDING DOOR
LADDER PULL



1/2" GLASS DOUBLE SLIDING DOOR
LADDER PULL

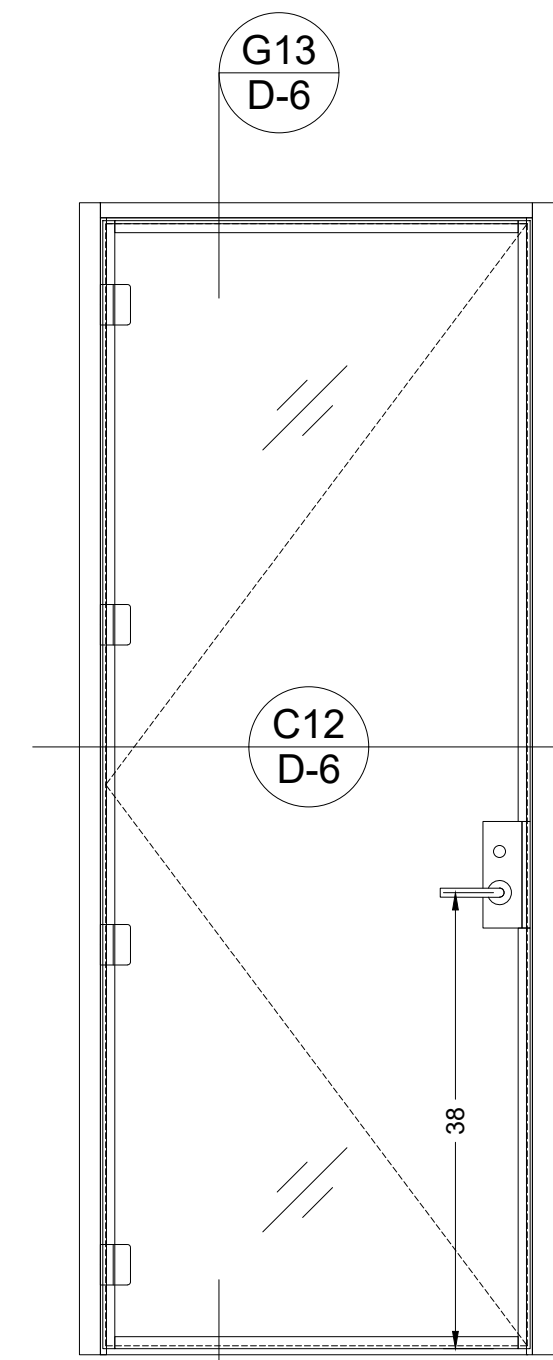


FULLY FRAMED GLASS DOOR
LADDER PULL



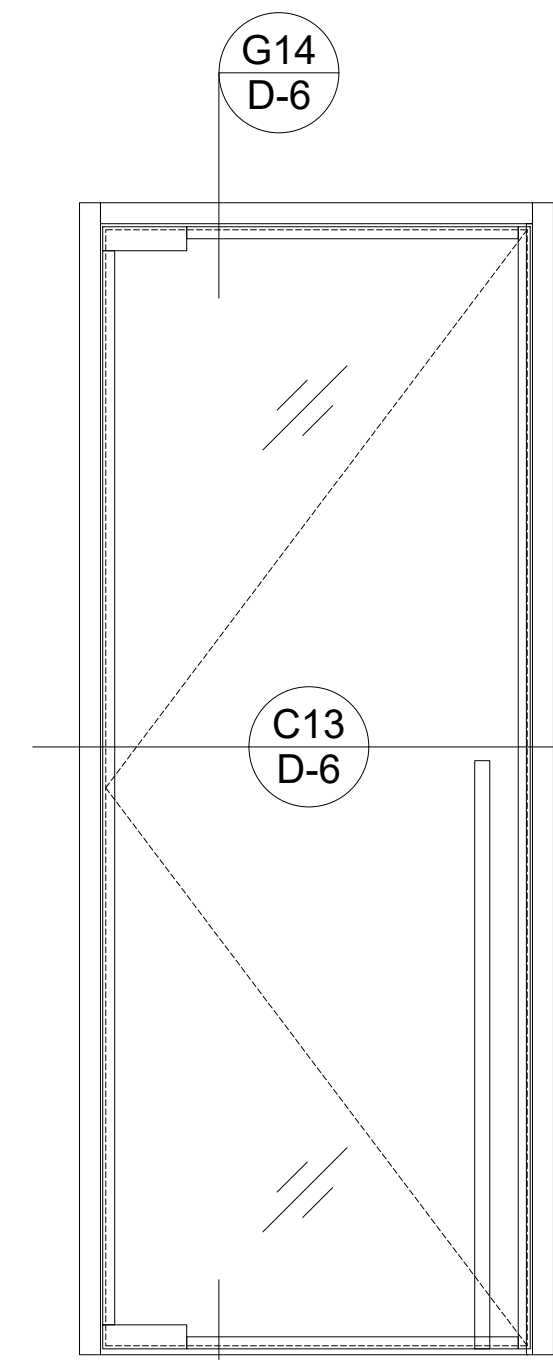
H9
D-6

MIRAGE FRAMED
1/2" GLASS DOOR
BUTT HINGES
LADDER PULL



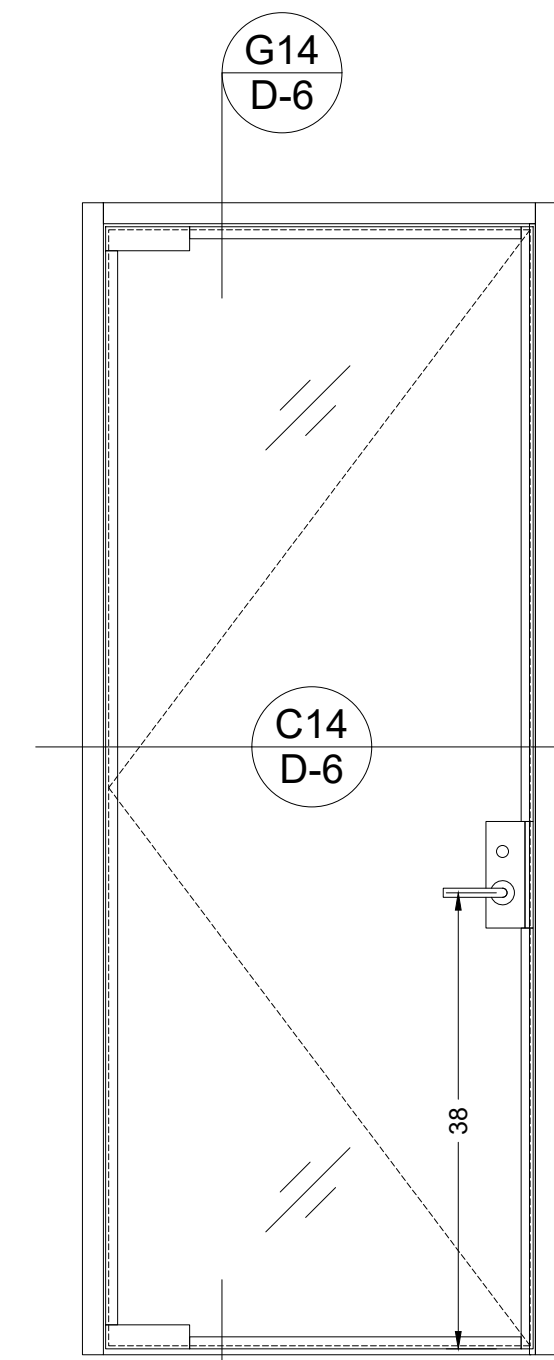
H9
D-6

MIRAGE FRAMED
1/2" GLASS DOOR
BUTT HINGES
LEVER SET



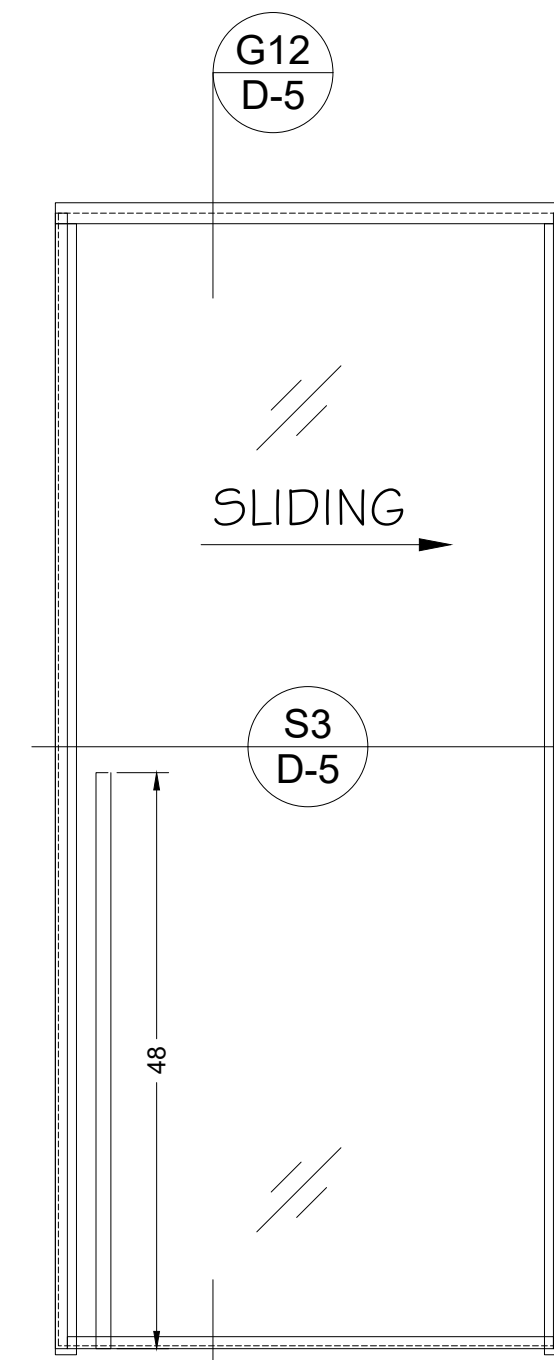
H10
D-6

MIRAGE FRAMED
1/2" GLASS DOOR
TOP/BOTTOM PATCH FITTINGS
LADDER PULL



H10
D-6

MIRAGE FRAMED
1/2" GLASS DOOR
TOP/BOTTOM PATCH FITTINGS
LEVER SET



H8
D-5

MIRAGE FRAMED
1/2" GLASS SLIDING DOOR
LADDER PULL

NOTES:

1. ALL DIMENSIONS ARE TO BE VERIFIED IN FIELD;
2. HEIGHTS MAY VARY ALONG FLOOR BASED ON FIELD CONDITION.
3. G.C. TO PROVIDE BLOCKING AT ALL THE WALL/HEADER WHERE POST/TRACK EXISTS;
4. GLASS TYPES:
THICKNESS: 3/8", 1/2", 5/8"
CLEAR TEMPERED
LOW IRON TEMPERED
CLEAR LAMINATED
ACOUSTIC LAMINATED
LOW IRON LAMINATED
5. FINISHES:
CLEAR ANODIZED
BLACK ANODIZED
POWDER COAT
BRUSHED SATIN
MEDIUM BRONZE
6. STD LEAD TIME: 3-5 WEEKS
7. CONTACT: info@tagwallny.com
estimating@tagwallny.com

TAGWALL

321 W. 44TH ST, SUITE 200 NY, NY 10036
212.354.9255 tagwallny.com

PROJECT:

ENCORE SYSTEM

DATE: 11/25/2020

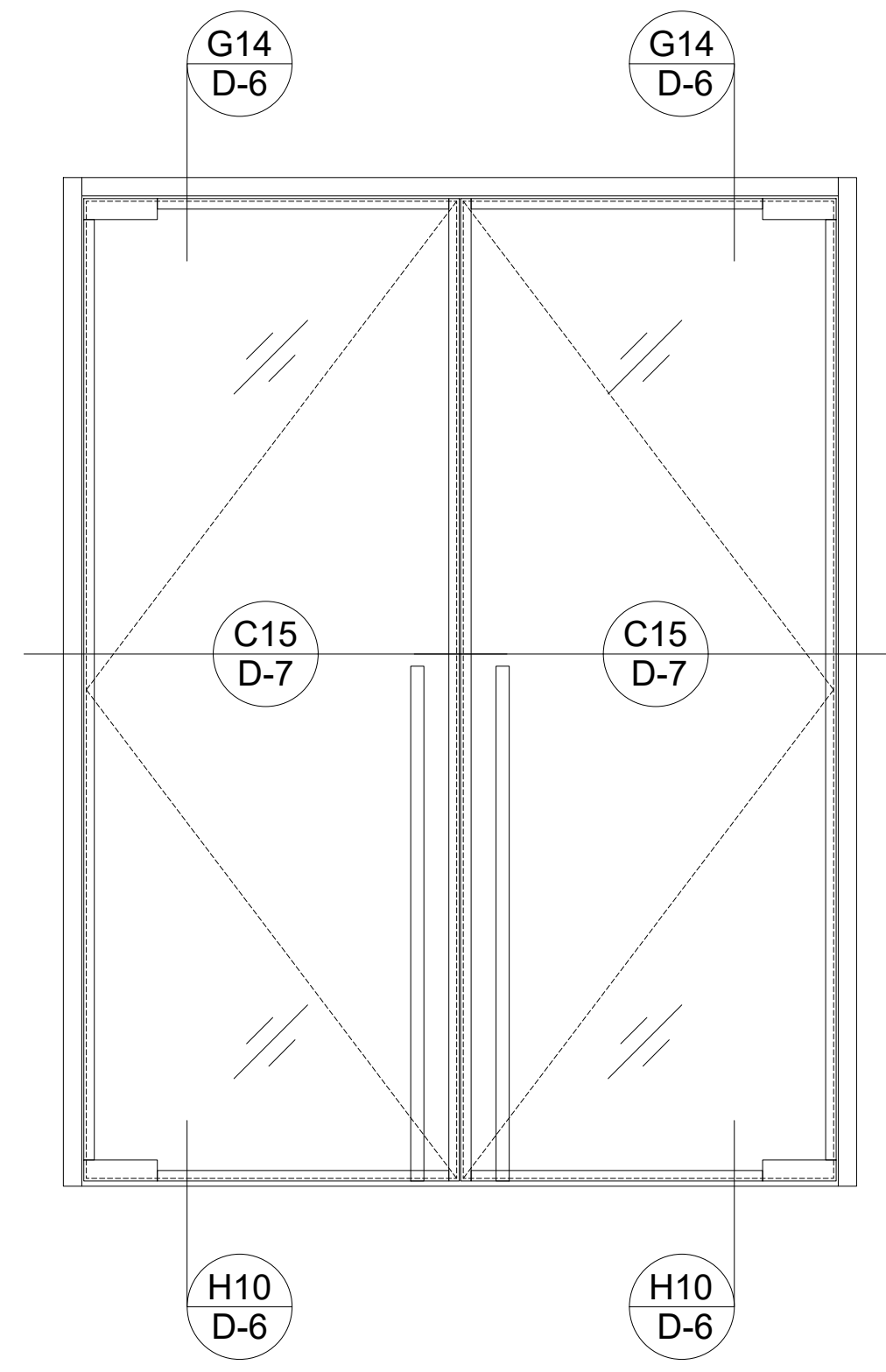
SCALE: 3/4" = 1'-0"

DRAWING No.

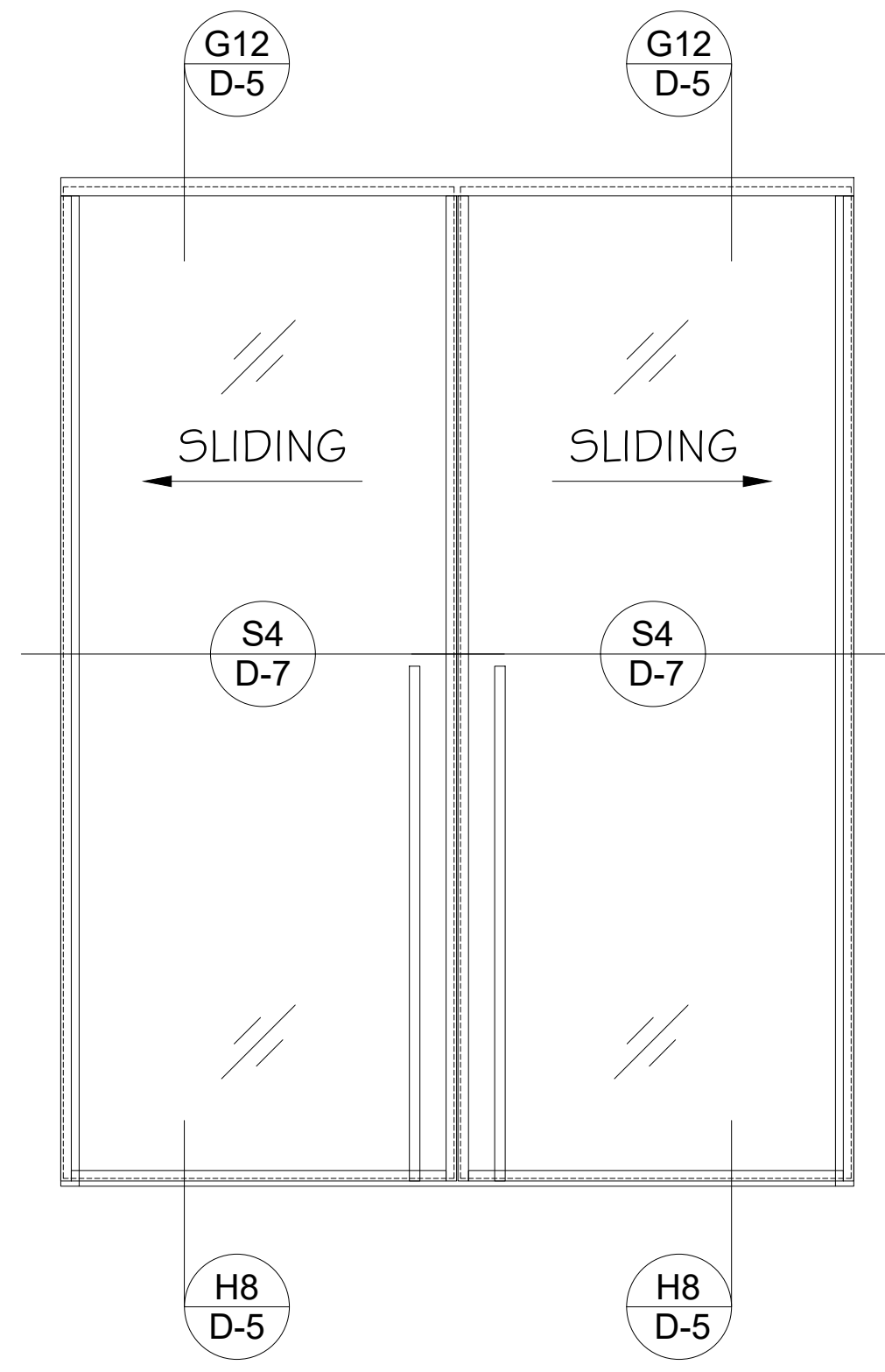
DRAWING TITLE:

ELEVATIONS

E-3



MIRAGE FRAMED
1/2" GLASS DOUBLE DOOR
TOP/BOTTOM PATCH FITTINGS
LADDER PULL



MIRAGE FRAMED
1/2" GLASS DOUBLE SLIDING DOOR
LADDER PULL

NOTES:

1. ALL DIMENSIONS ARE TO BE VERIFIED IN FIELD;
2. HEIGHTS MAY VARY ALONG FLOOR BASED ON FIELD CONDITION.
3. G.C. TO PROVIDE BLOCKING AT ALL THE WALL/HEADER WHERE POST/TRACK EXISTS;
4. GLASS TYPES:
THICKNESS: 3/8", 1/2", 5/8"
CLEAR TEMPERED
LOW IRON TEMPERED
CLEAR LAMINATED
ACOUSTIC LAMINATED
LOW IRON LAMINATED
5. FINISHES:
CLEAR ANODIZED
BLACK ANODIZED
POWDER COAT
BRUSHED SATIN
MEDIUM BRONZE
6. STD LEAD TIME: 3-5 WEEKS
7. CONTACT: info@tagwallny.com
estimating@tagwallny.com

TAGWALL

321 W. 44TH ST, SUITE 200 NY, NY 10036
212.354.9255 tagwallny.com

PROJECT:

ENCORE SYSTEM

DATE: 11/25/2020

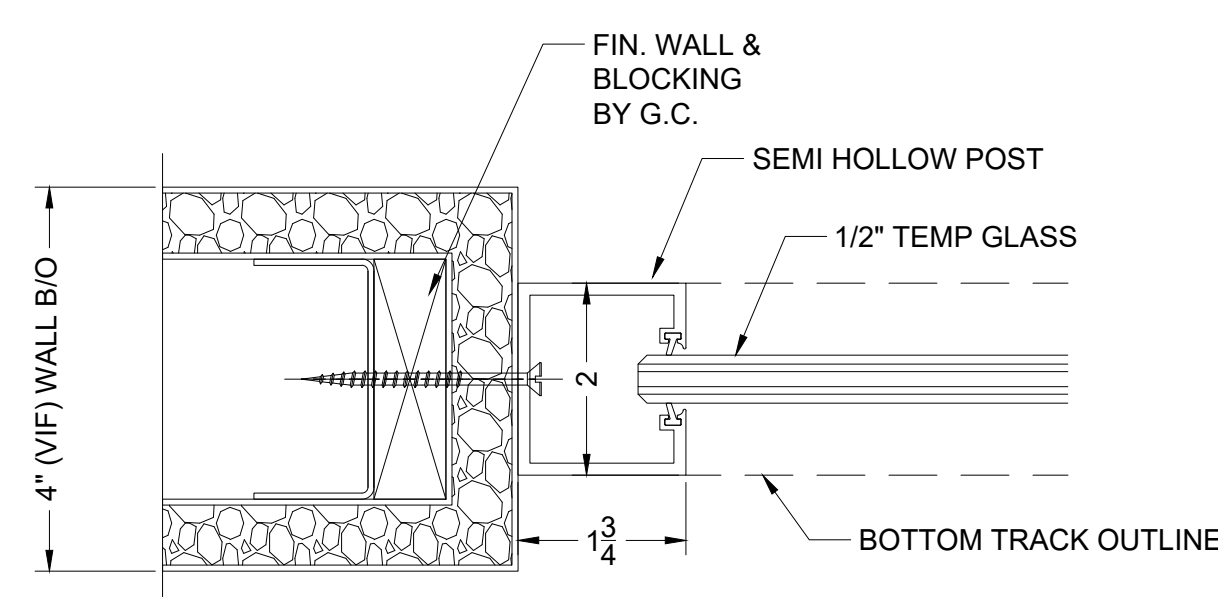
SCALE: 3/4" = 1'-0"

DRAWING No.

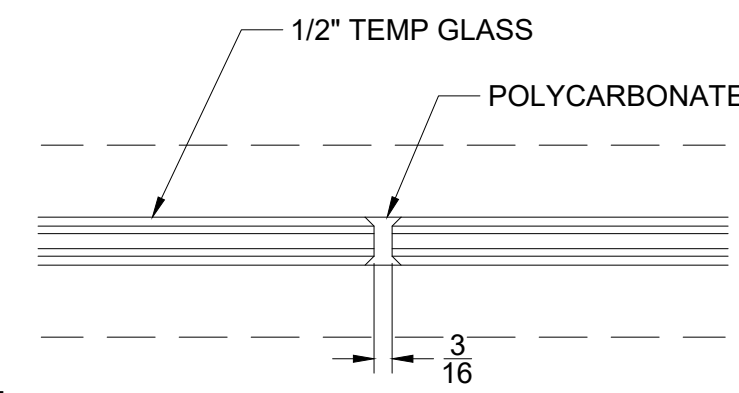
DRAWING TITLE:

ELEVATIONS

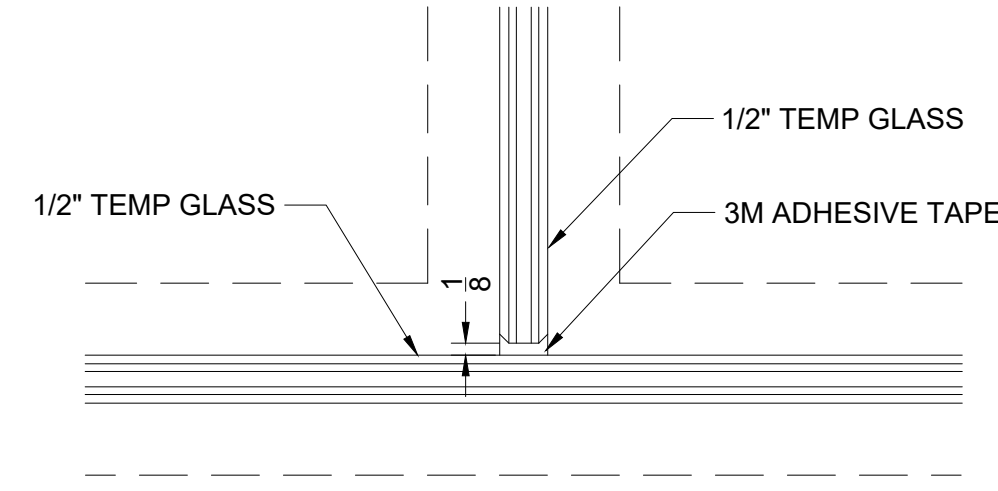
E-4



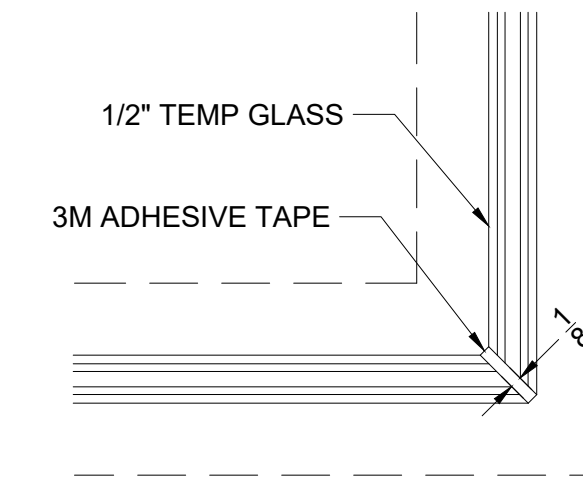
DETAIL @ WALL POST A
6" = 1'-0"



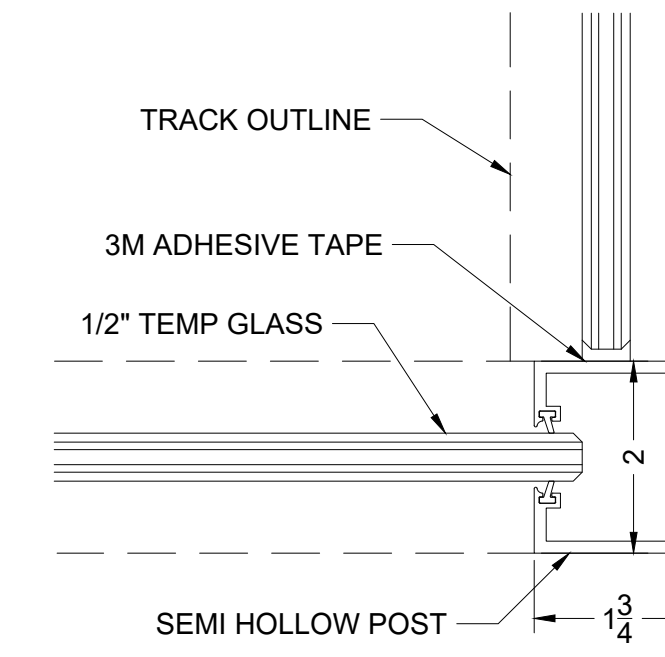
DETAIL @ GLASS JOINT B
6" = 1'-0"



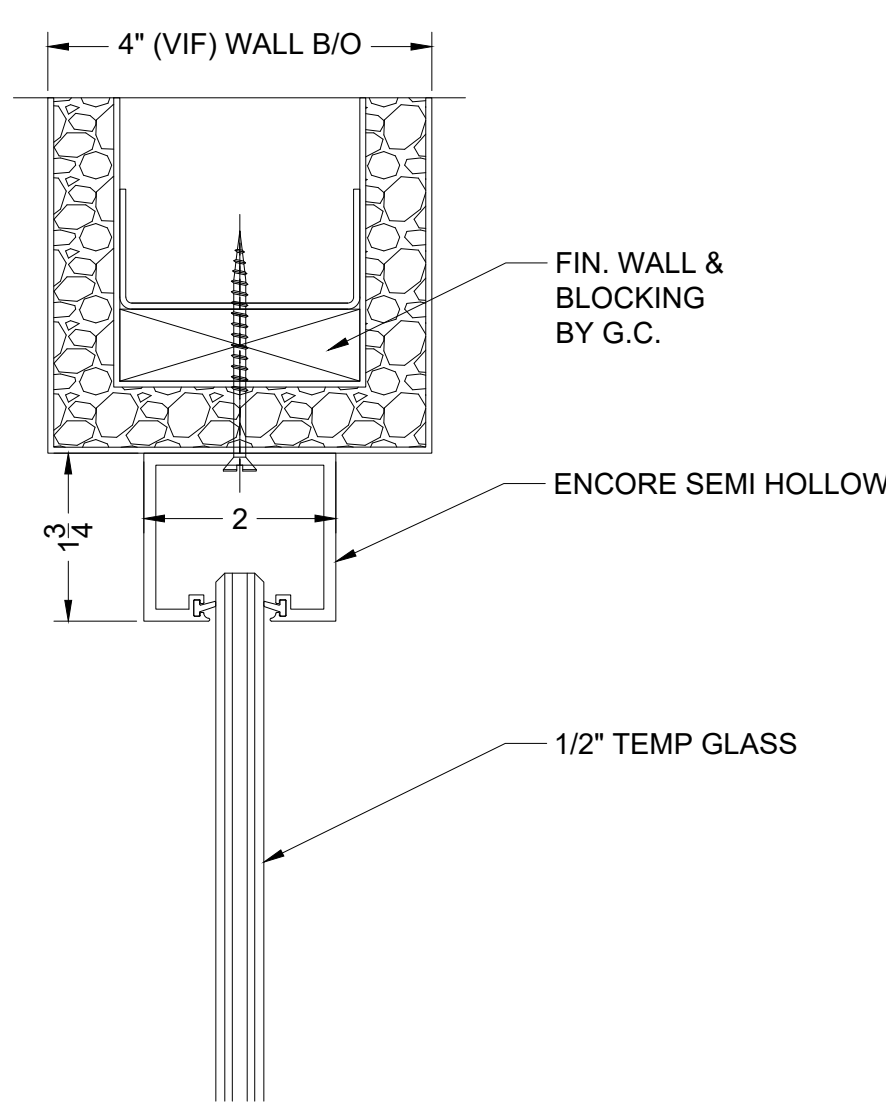
DETAIL @ GLASS JOINT C
6" = 1'-0"



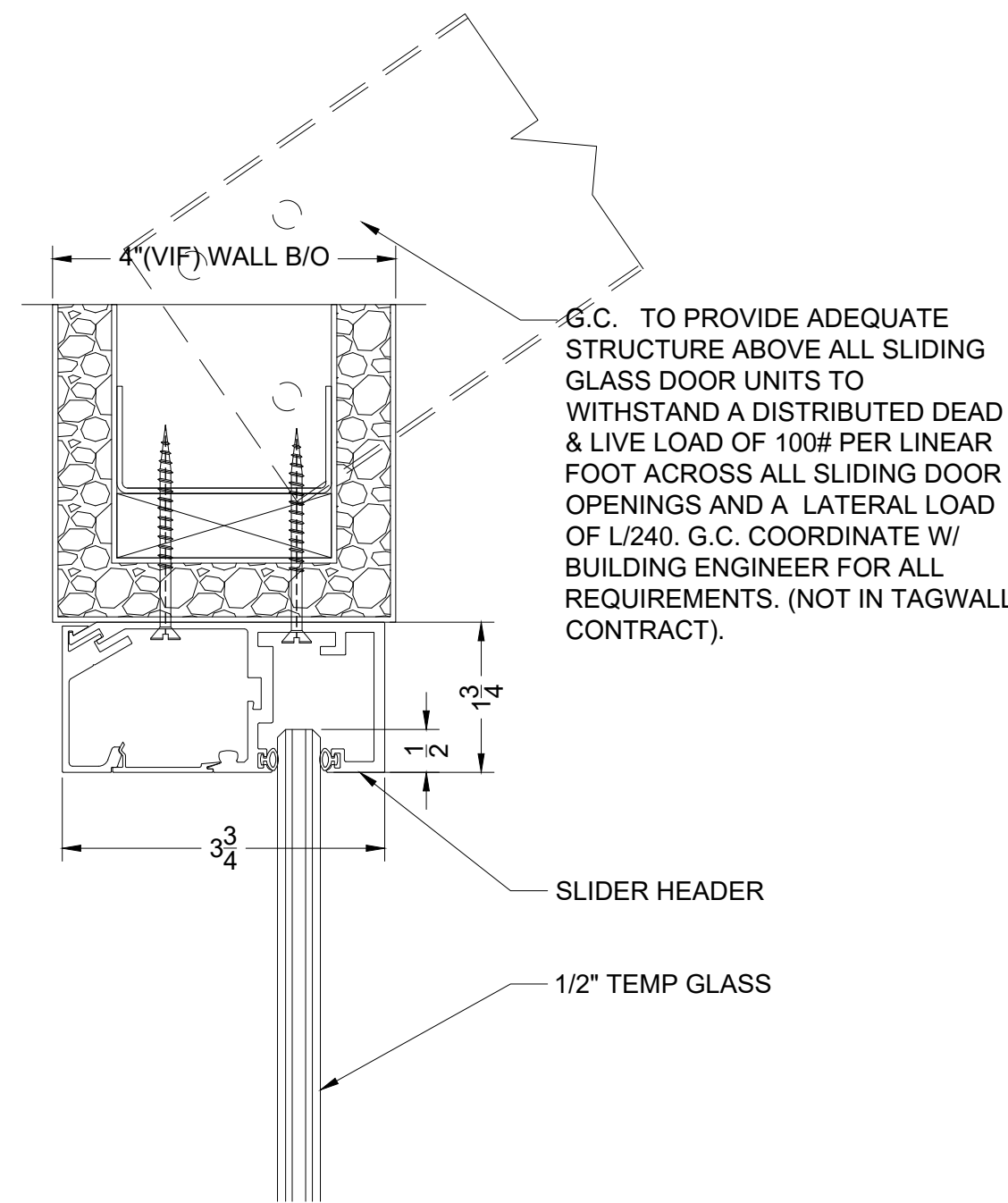
DETAIL @ GLASS RETURN JOINT D
6" = 1'-0"



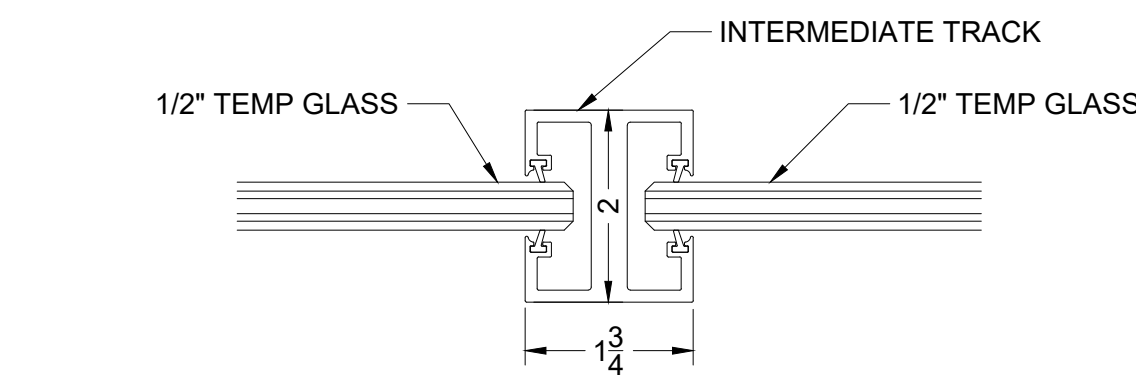
DETAIL @ GLASS RETURN D1
6" = 1'-0"



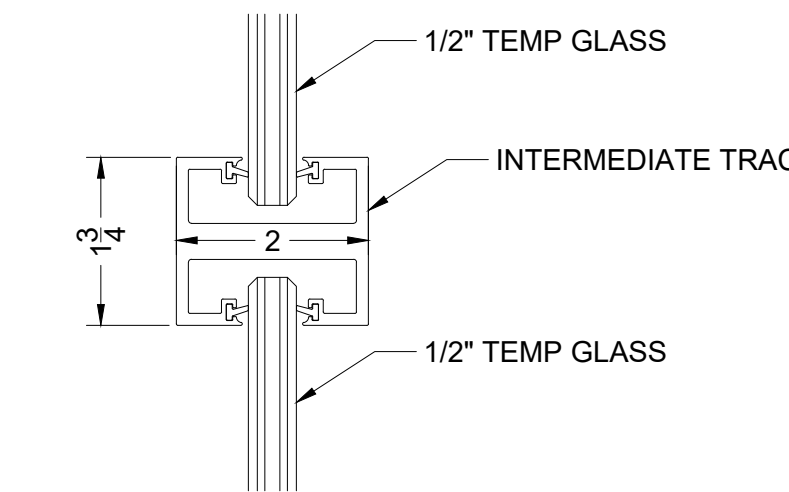
HEAD DETAIL @ FIXED PANEL E
6" = 1'-0"



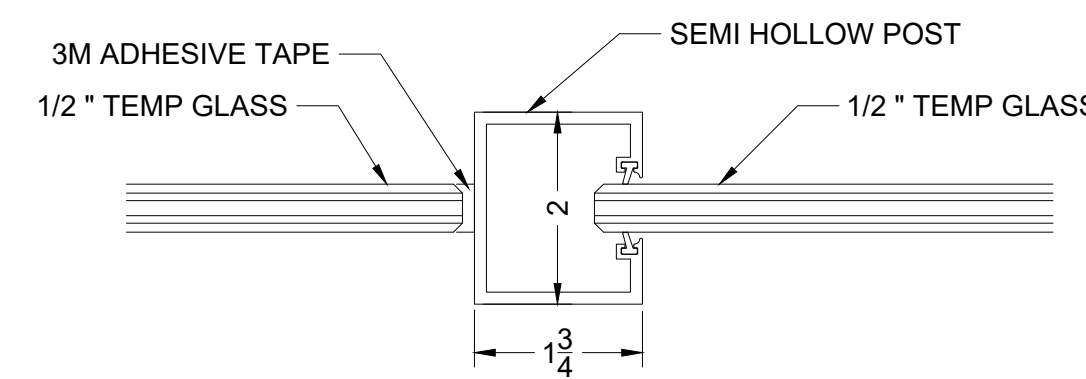
HEAD DETAIL @ FIXED PANEL E1
6" = 1'-0"



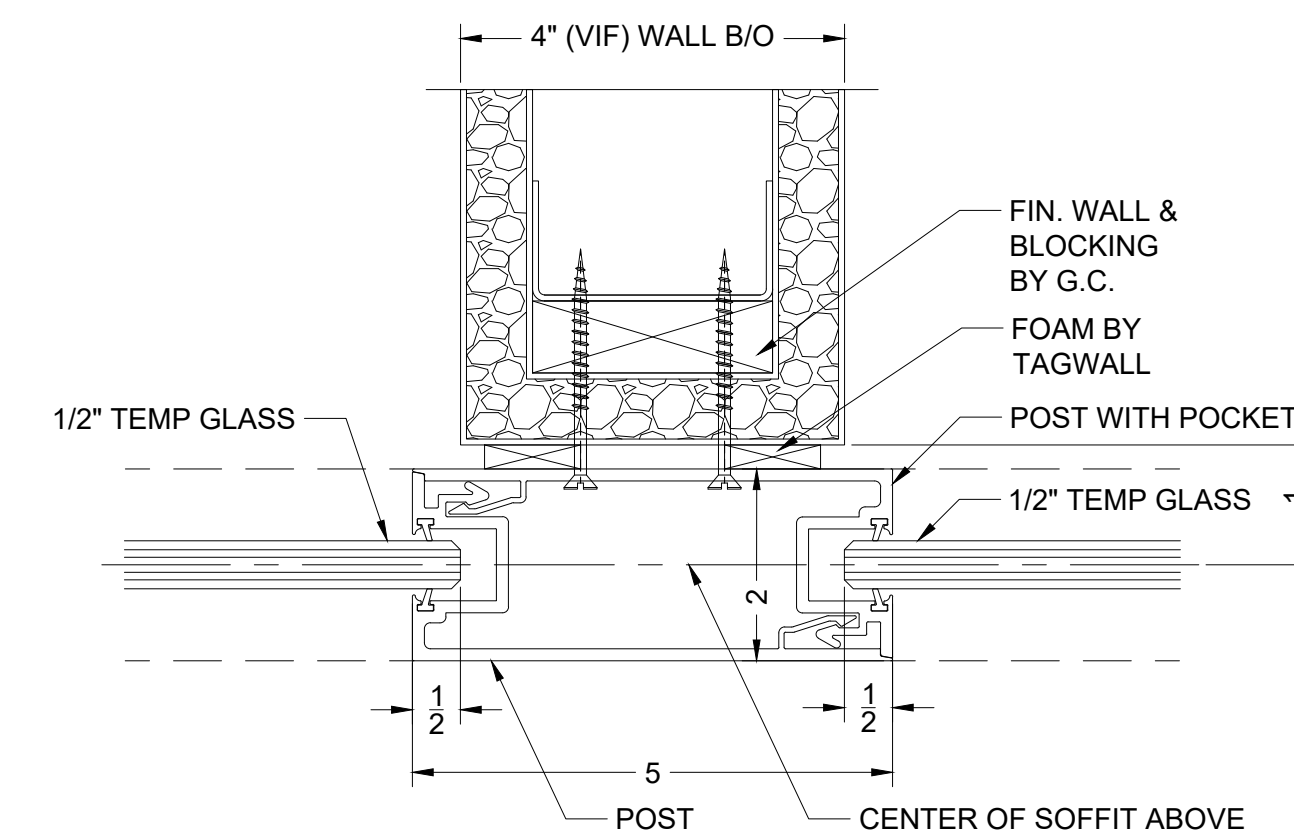
DETAIL @ INTERMEDIATE MULLION B1
6" = 1'-0"



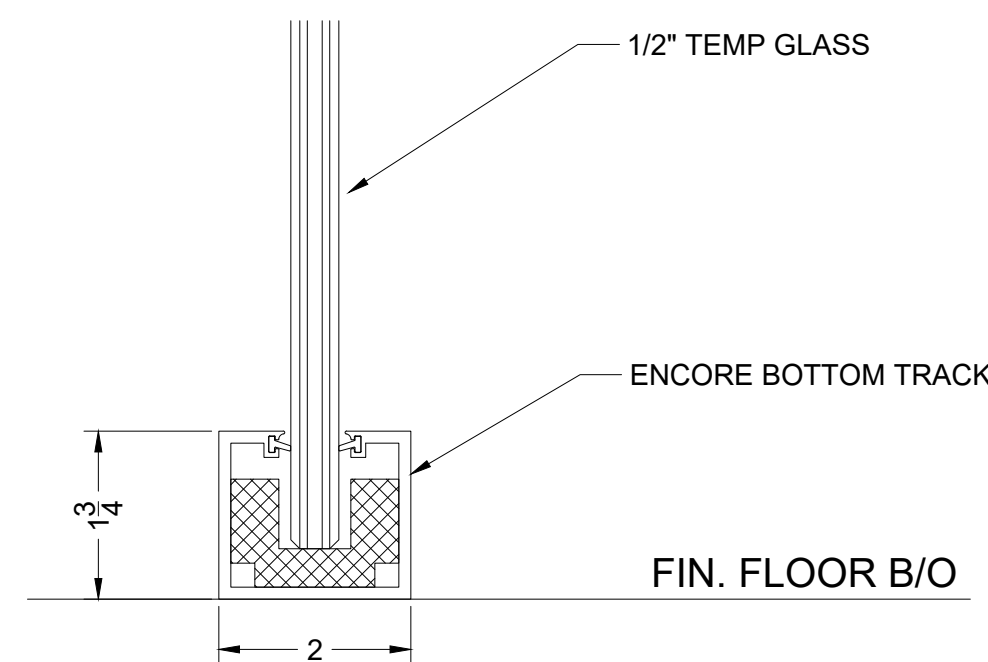
DETAIL @ TRANSOM B2
6" = 1'-0"



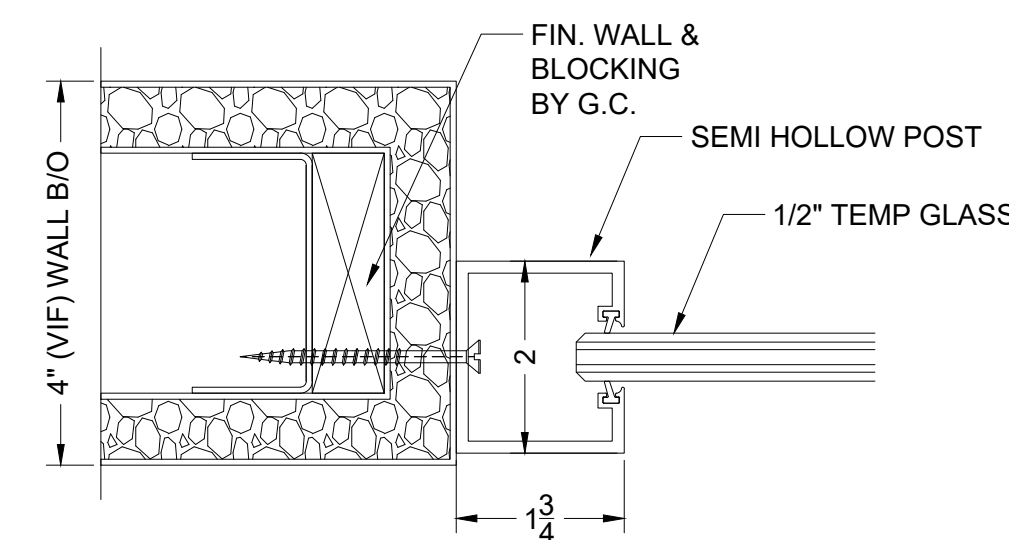
DETAIL @ TRANSOM MULLION B3
6" = 1'-0"



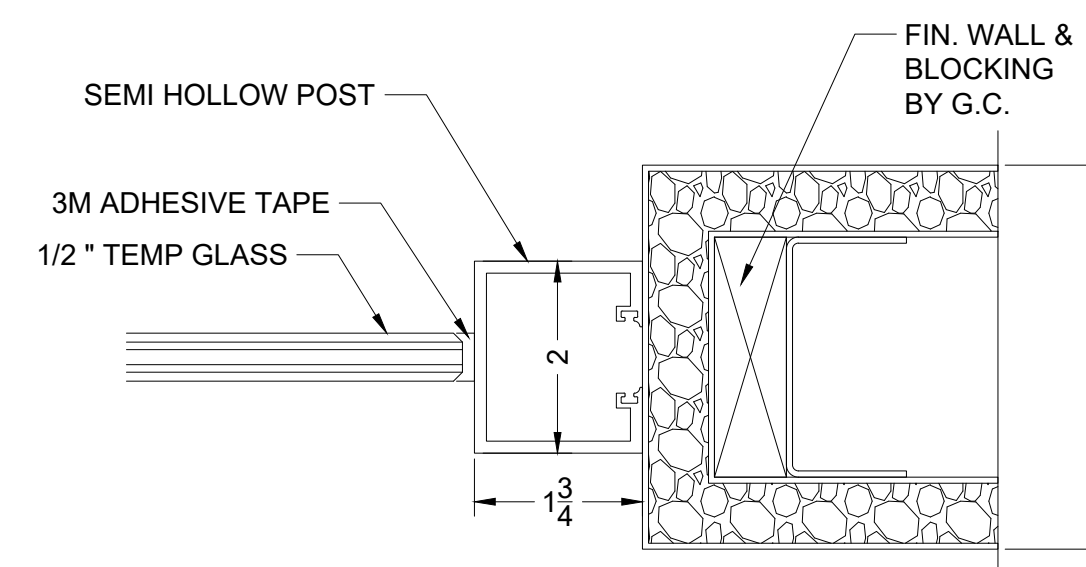
DETAIL @ WALL POST J
6" = 1'-0"



BOTTOM DETAIL @ FIXED PANEL F
6" = 1'-0"



DETAIL @ WALL POST A1
6" = 1'-0"



DETAIL @ WALL POST A2
6" = 1'-0"

NOTES:

1. ALL DIMENSIONS ARE TO BE VERIFIED IN FIELD;
2. HEIGHTS MAY VARY ALONG FLOOR BASED ON FIELD CONDITION.
3. G.C. TO PROVIDE BLOCKING AT ALL THE WALL/HEADER WHERE POST/TRACK EXISTS;
4. GLASS TYPES:
THICKNESS: 3/8", 1/2", 5/8"
CLEAR TEMPERED
LOW IRON TEMPERED
CLEAR LAMINATED
ACOUSTIC LAMINATED
LOW IRON LAMINATED
5. FINISHES:
CLEAR ANODIZED
BLACK ANODIZED
POWDER COAT
BRUSHED SATIN
MEDIUM BRONZE
6. STD LEAD TIME: 3-5 WEEKS
7. CONTACT: info@tagwallny.com
estimating@tagwallny.com

TAGWALL

321 W. 44TH ST, SUITE 200 NY, NY 10036
212.354.9255 tagwallny.com

PROJECT:

ENCORE SYSTEM

DATE: 11/25/2020

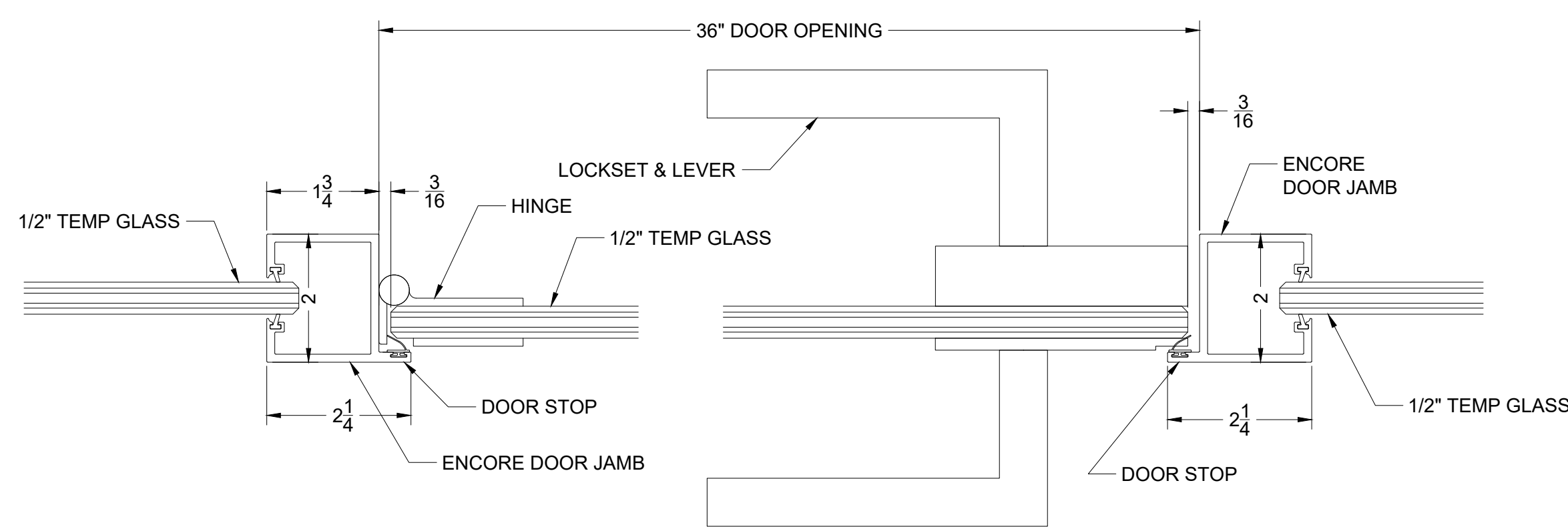
SCALE: 6" = 1'-0"

DRAWING No.

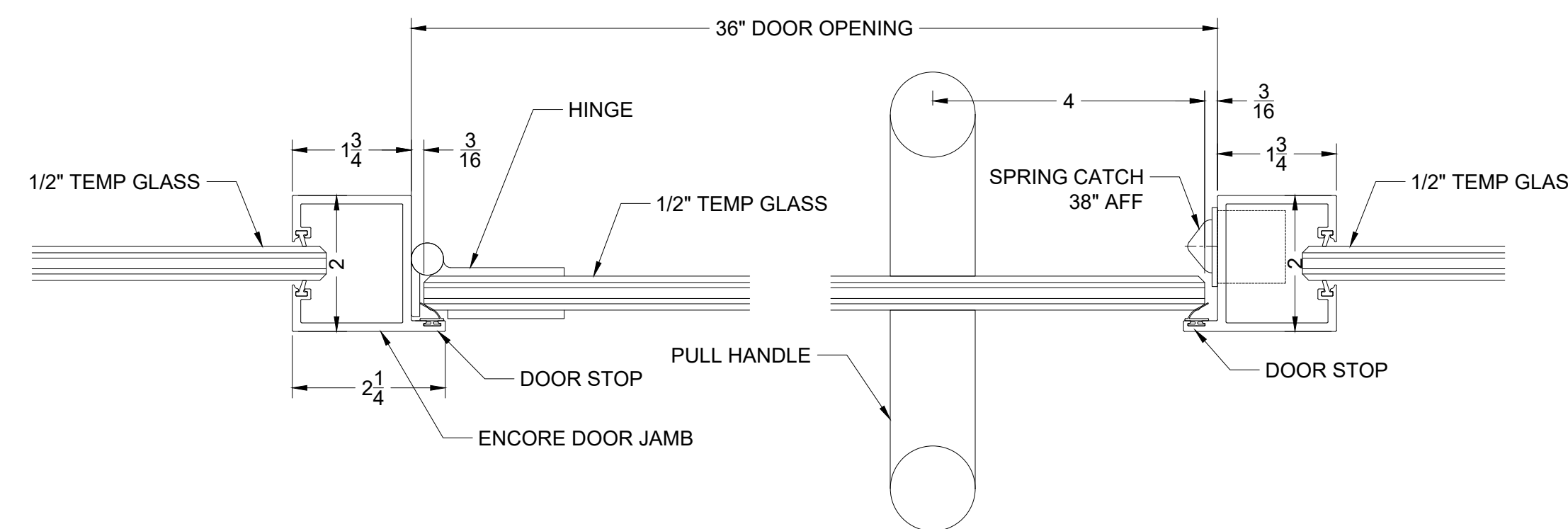
DRAWING TITLE:

DETAILS

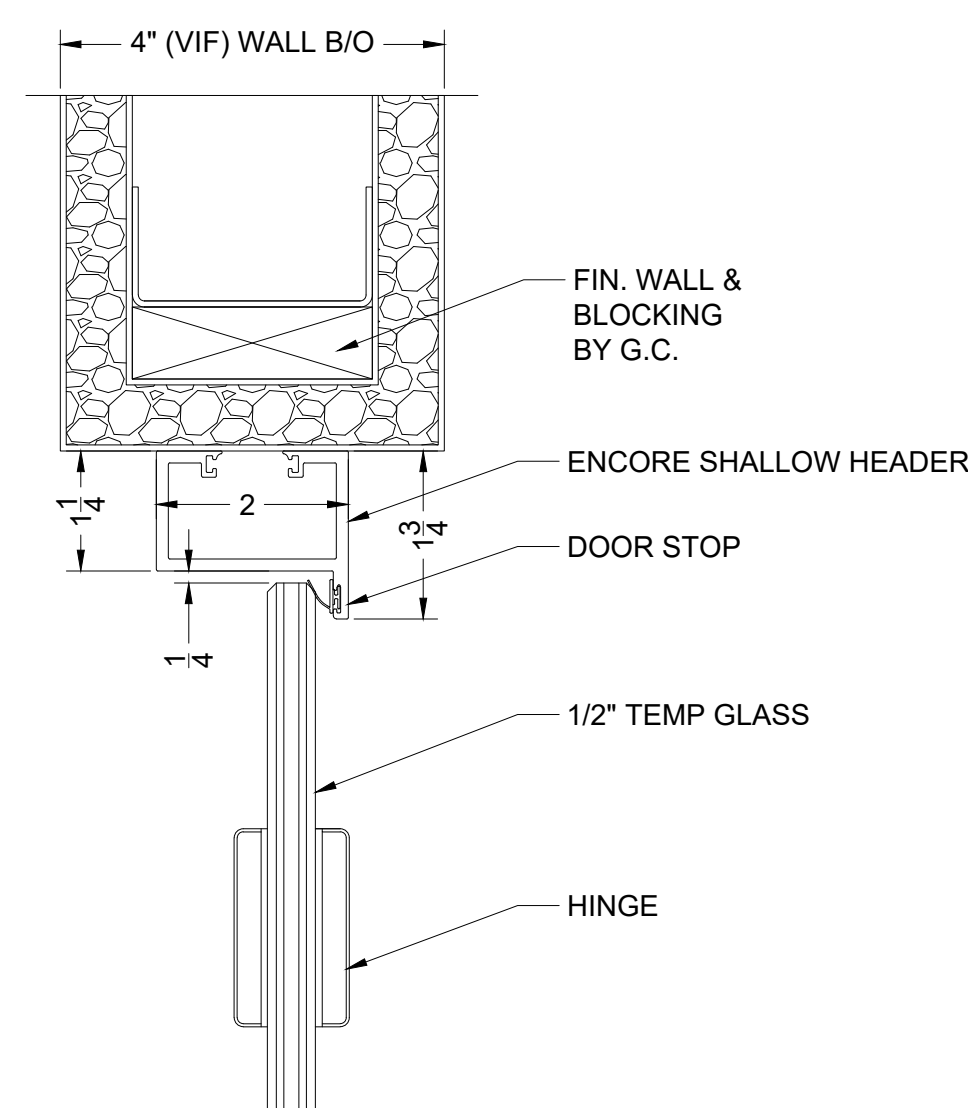
D-1



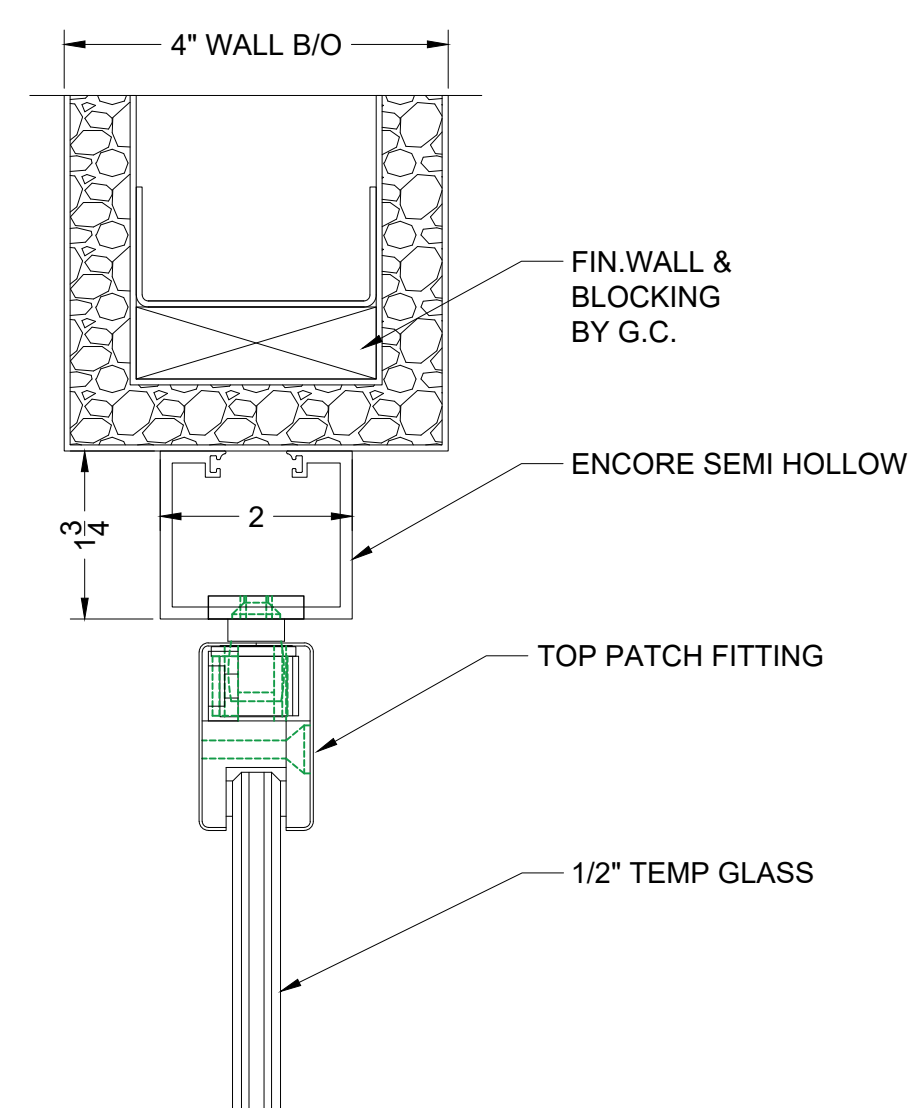
DETAIL @ HINGE SWING DOOR W/HGU
6" = 1'-0" **C1**



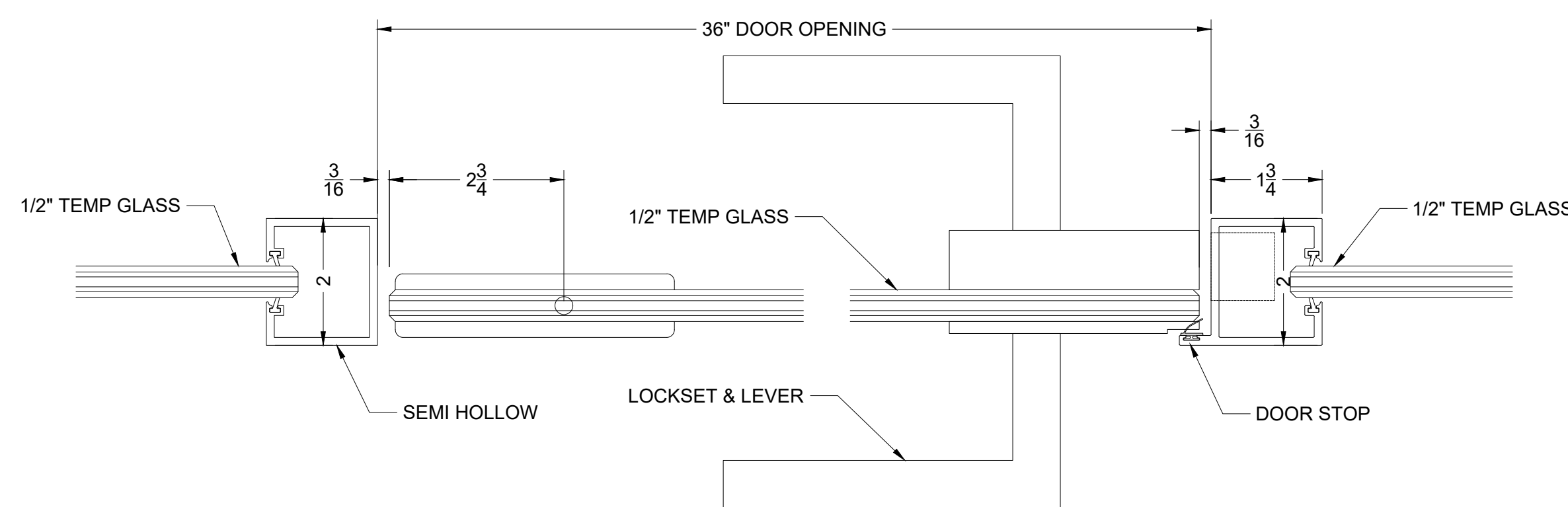
DETAIL @ PIVOT DOOR JAMB
6" = 1'-0" **C2**



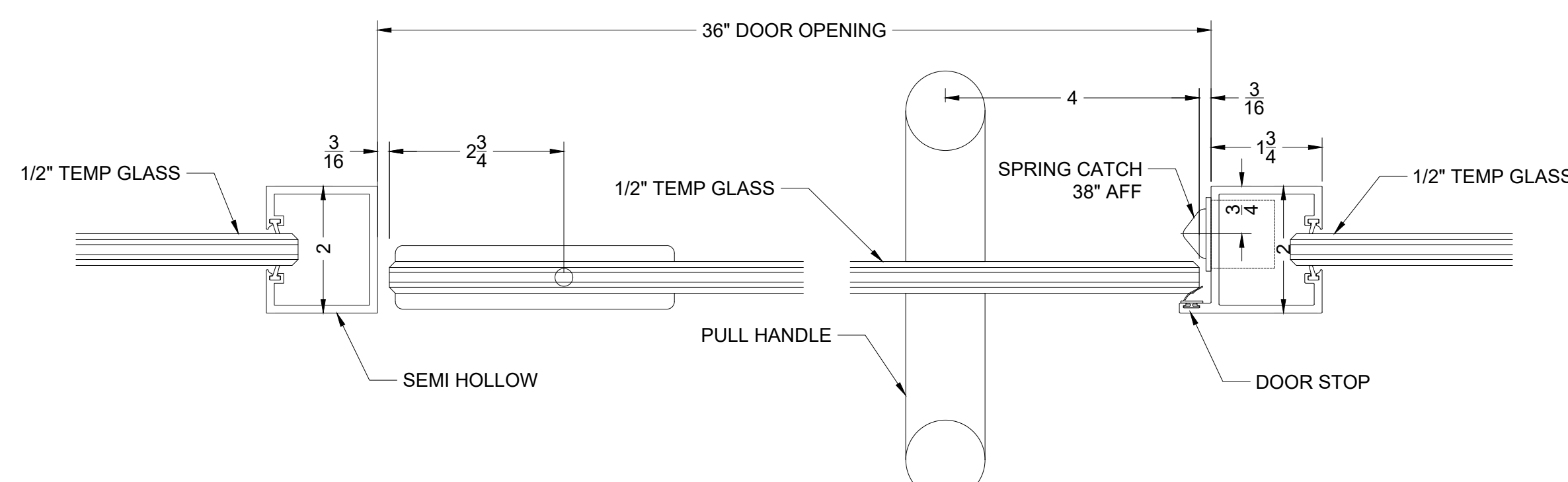
HEAD DETAIL @ SWING DOOR
6" = 1'-0" **G1**



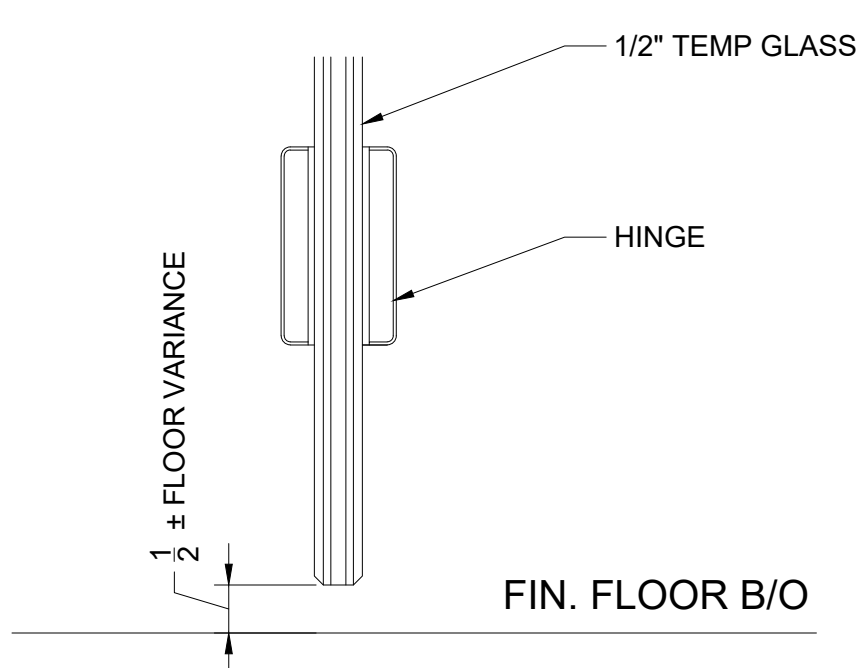
HEAD DETAIL @ PIVOT DOOR
6" = 1'-0" **G2**



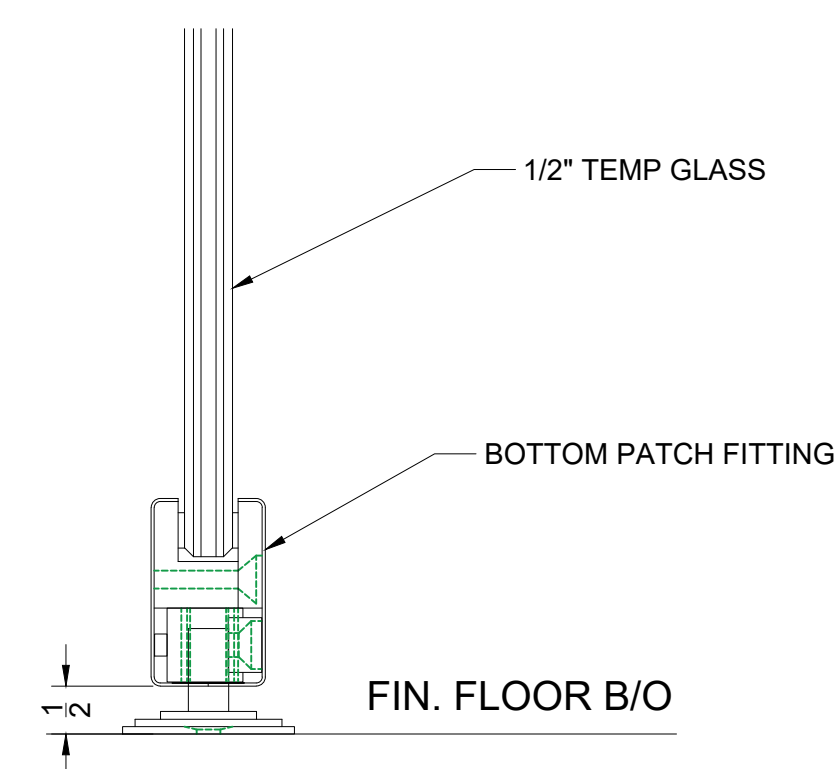
DETAIL @ WALL & PIVOT DOOR JAMB
6" = 1'-0" **C3**



DETAIL @ WALL & PIVOT DOOR JAMB
6" = 1'-0" **C4**



BOTTOM DETAIL @ SWING DOOR
6" = 1'-0" **H1**



BOTTOM DETAIL @ PIVOT DOOR
6" = 1'-0" **H2**

- NOTES:
1. ALL DIMENSIONS ARE TO BE VERIFIED IN FIELD;
 2. HEIGHTS MAY VARY ALONG FLOOR BASED ON FIELD CONDITION.
 3. G.C. TO PROVIDE BLOCKING AT ALL THE WALL/HEADER WHERE POST/TRACK EXISTS;
 4. GLASS TYPES:
THICKNESS: 3/8", 1/2", 5/8"
CLEAR TEMPERED
LOW IRON TEMPERED
CLEAR LAMINATED
ACOUSTIC LAMINATED
LOW IRON LAMINATED
 5. FINISHES:
CLEAR ANODIZED
BLACK ANODIZED
POWDER COAT
BRUSHED SATIN
MEDIUM BRONZE
 6. STD LEAD TIME: 3-5 WEEKS
 7. CONTACT: info@tagwallny.com
estimating@tagwallny.com

TAGWALL

321 W. 44TH ST, SUITE 200 NY, NY 10036
212.354.9255 tagwallny.com

PROJECT:

ENCORE SYSTEM

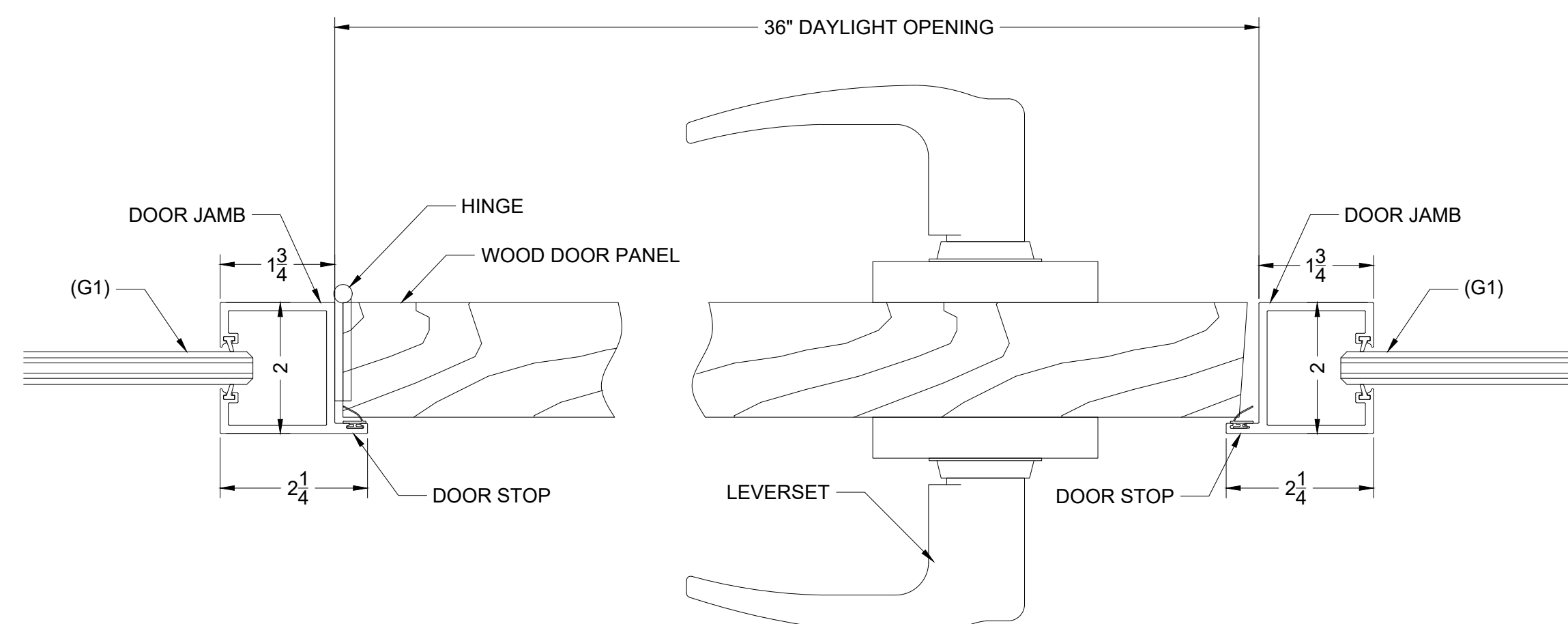
DATE: 11/25/2020

SCALE: 6" = 1'-0"

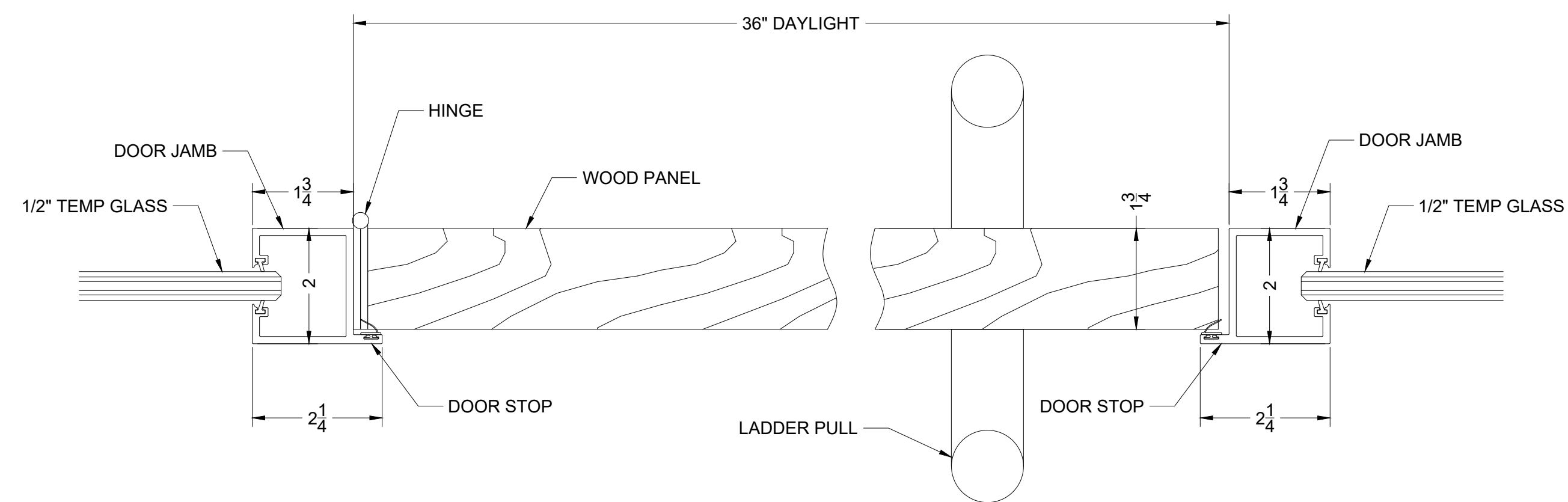
DRAWING No.

DRAWING TITLE:
DETAILS

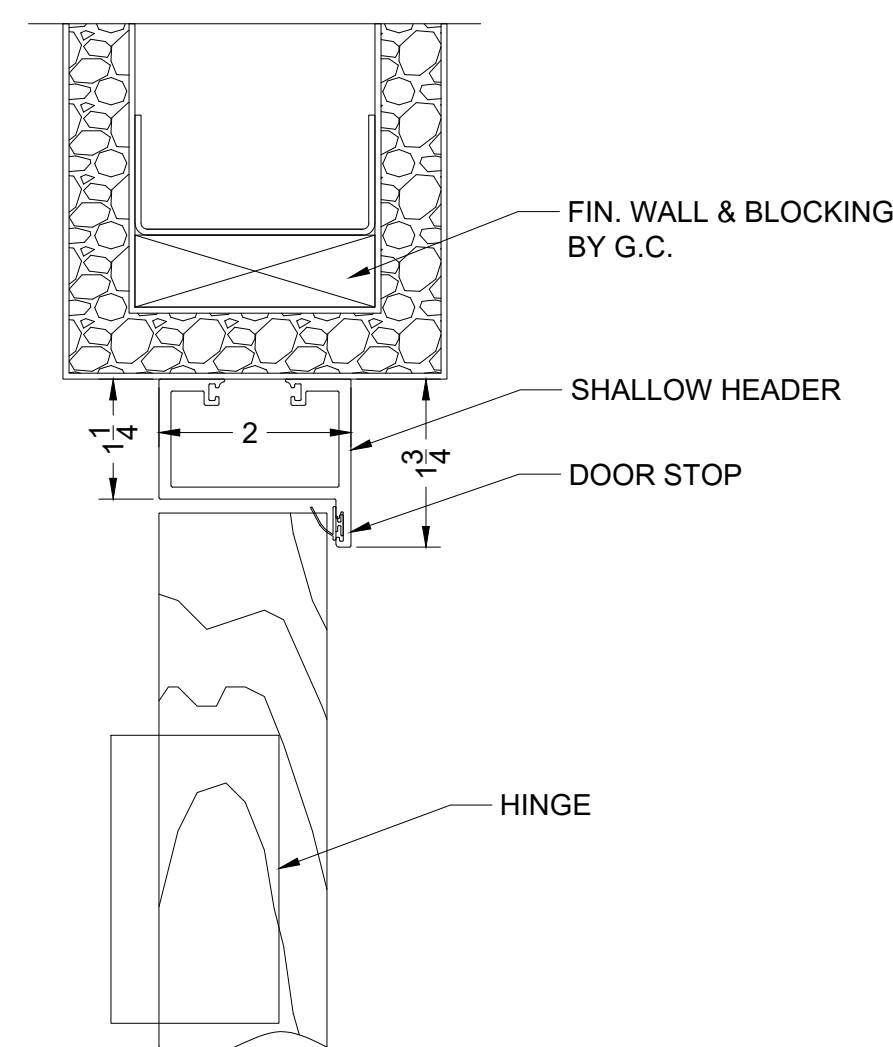
D-2



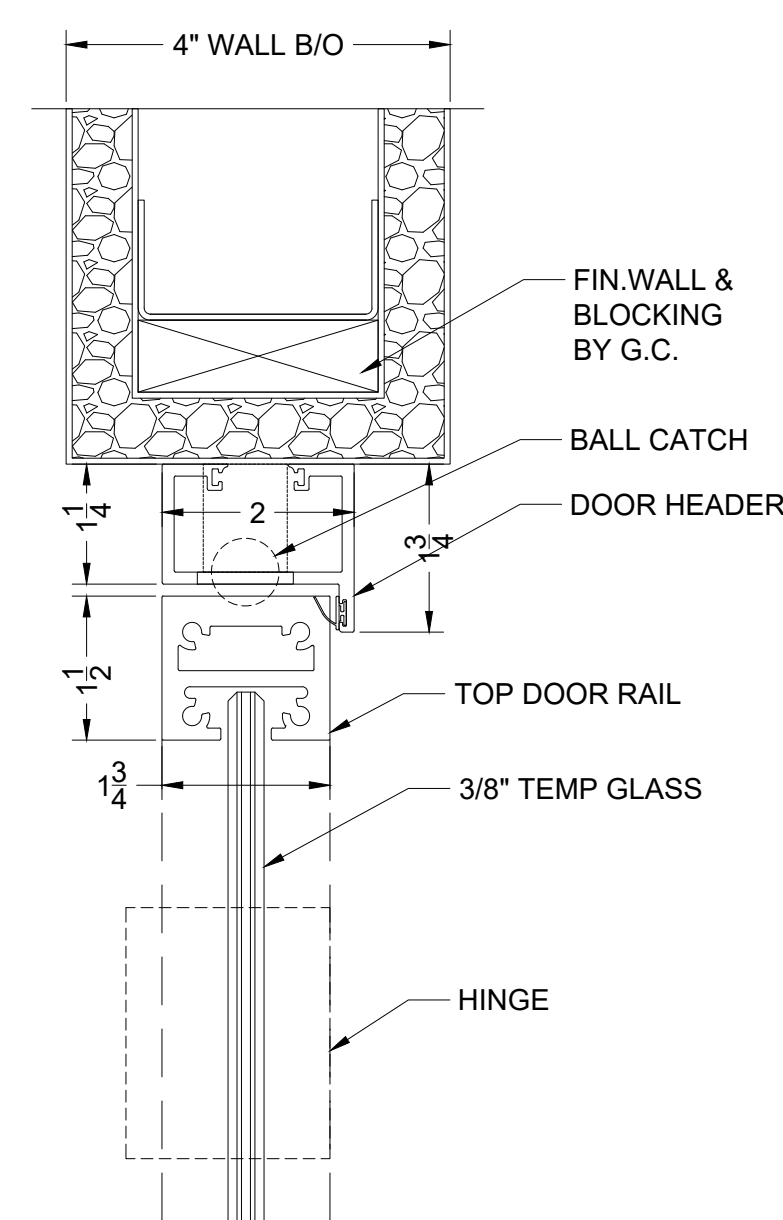
DETAIL@ HINGE WOOD DOOR & JAMB
6" = 1'-0" **C5**



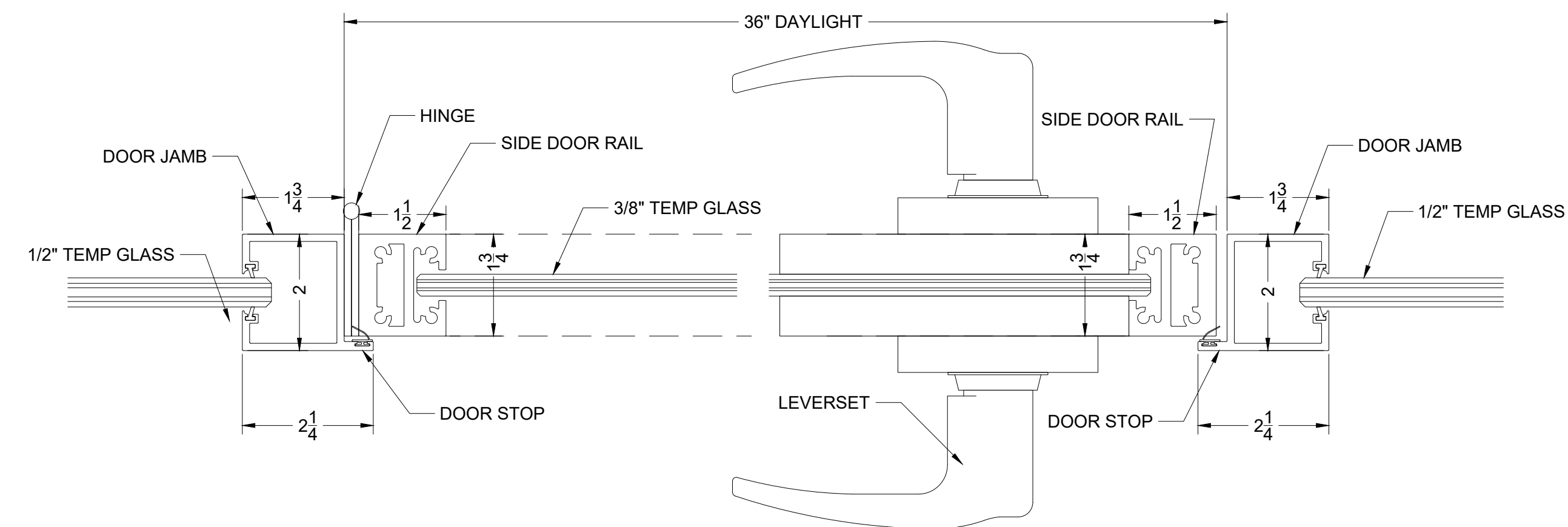
DETAIL @ ENCORE HINGE WOOD DOOR JAMB / STRIKE
6" = 1'-0" **C6**



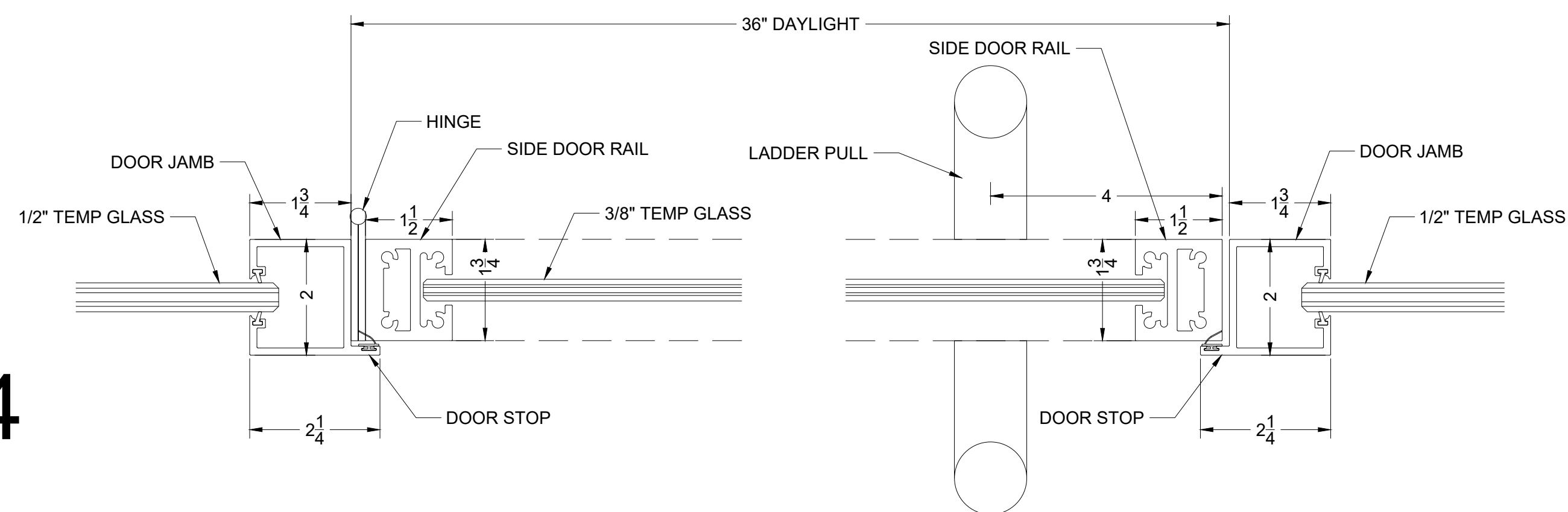
HEAD DETAIL @ WOOD SWING DOOR
6" = 1'-0" **G3**



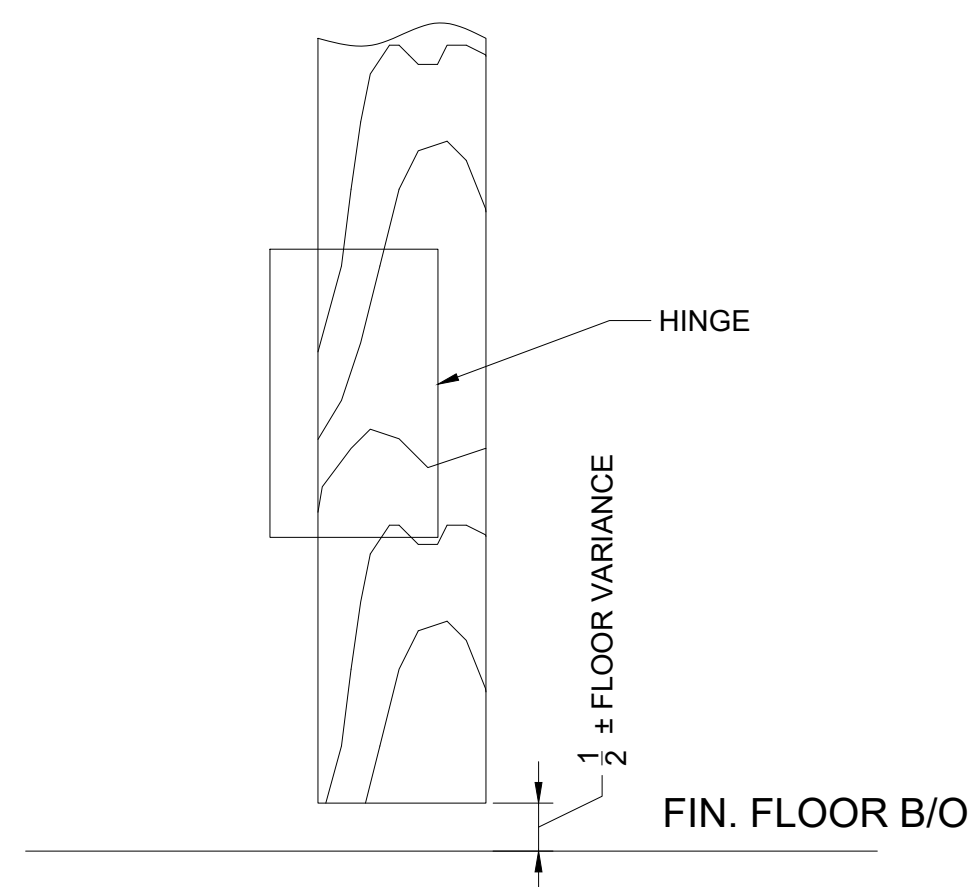
HEAD DETAIL @ FRAMED SWING DOOR
6" = 1'-0" **G4**



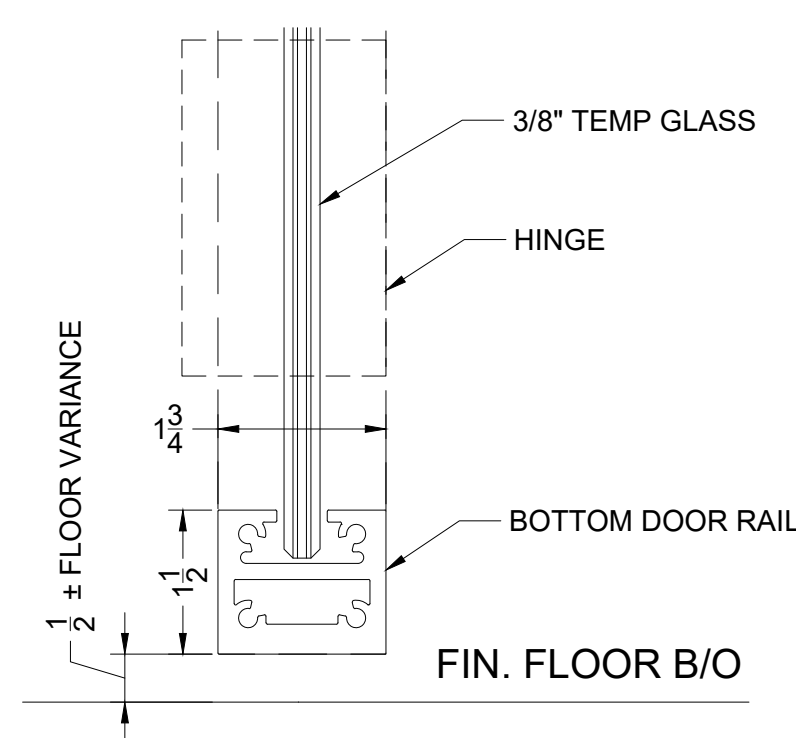
DETAIL @ FRAMED GLASS DOOR JAMB / STRIKE
6" = 1'-0" **C7**



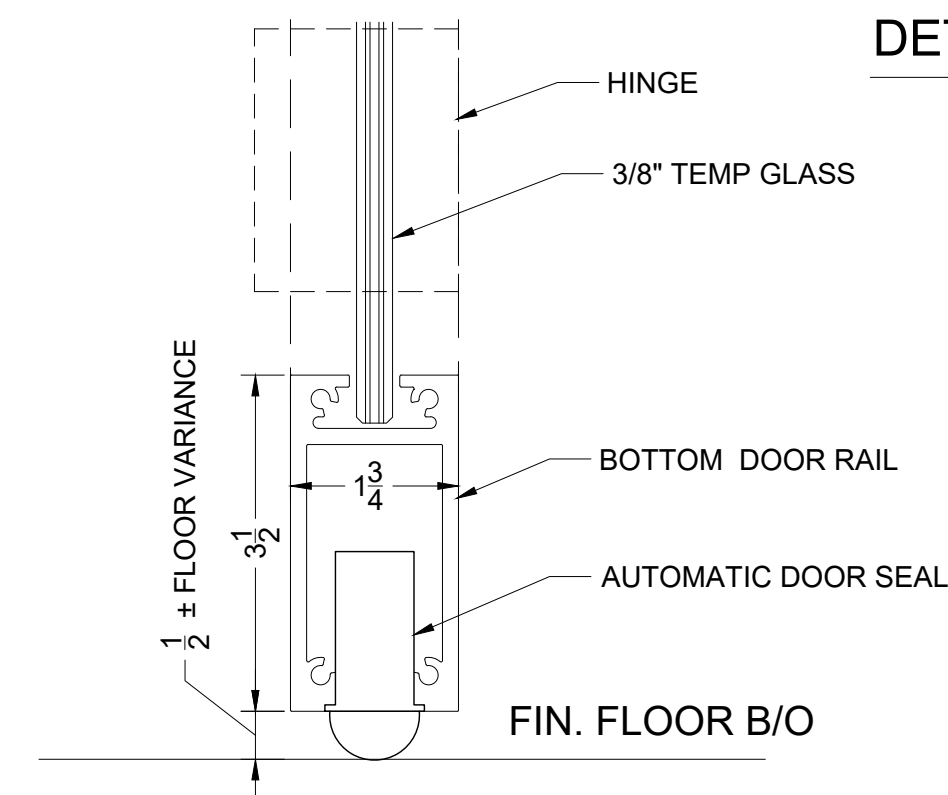
DETAIL @ HINGE FRAMED GLASS DOOR/JAMB
6" = 1'-0" **C8**



BOTTOM DETAIL @ WOOD SWING DOOR
6" = 1'-0" **H3**



BOTTOM DETAIL @ FRAMED SWING DOOR
6" = 1'-0" **H4**



BOTTOM DETAIL @ FRAMED SWING DOOR
6" = 1'-0" **H4A**

NOTES:

1. ALL DIMENSIONS ARE TO BE VERIFIED IN FIELD;
2. HEIGHTS MAY VARY ALONG FLOOR BASED ON FIELD CONDITION.
3. G.C. TO PROVIDE BLOCKING AT ALL THE WALL/HEADER WHERE POST/TRACK EXISTS;
4. GLASS TYPES:
THICKNESS: 3/8", 1/2", 5/8"
CLEAR TEMPERED
LOW IRON TEMPERED
CLEAR LAMINATED
ACOUSTIC LAMINATED
LOW IRON LAMINATED
5. FINISHES:
CLEAR ANODIZED
BLACK ANODIZED
POWDER COAT
BRUSHED SATIN
MEDIUM BRONZE
6. STD LEAD TIME: 3-5 WEEKS
7. CONTACT: info@tagwallny.com
estimating@tagwallny.com

TAGWALL

321 W. 44TH ST., SUITE 200 NY, NY 10036
212.354.9255 tagwallny.com

PROJECT:

ENCORE SYSTEM

DATE: 11/25/2020

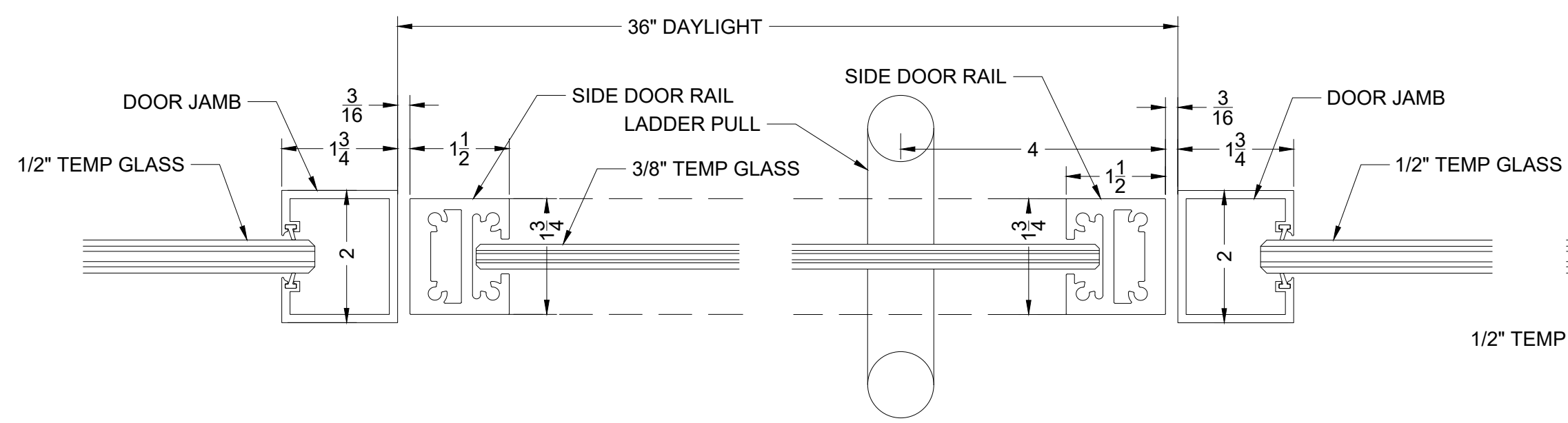
SCALE: 6" = 1'-0"

DRAWING No.

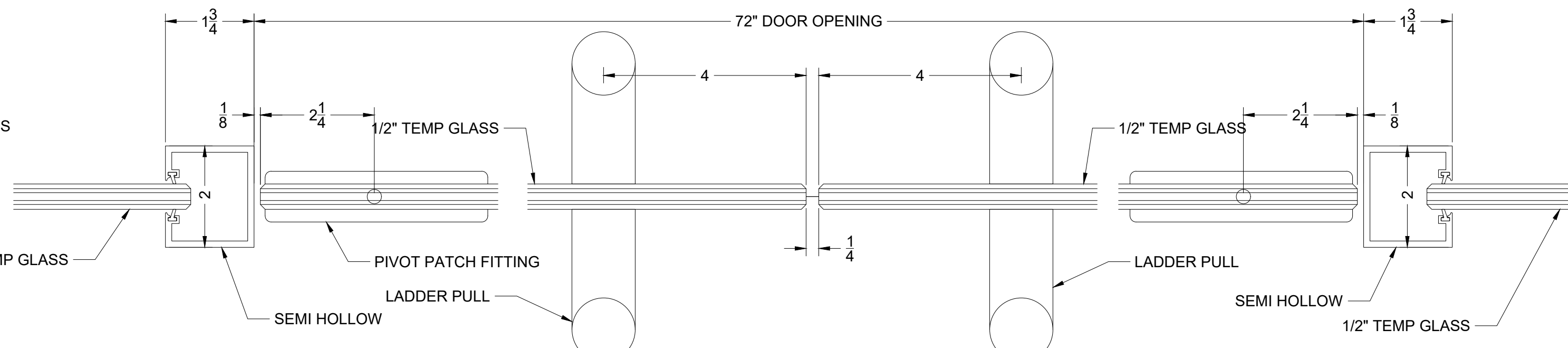
DRAWING TITLE:

DETAILS

D-3

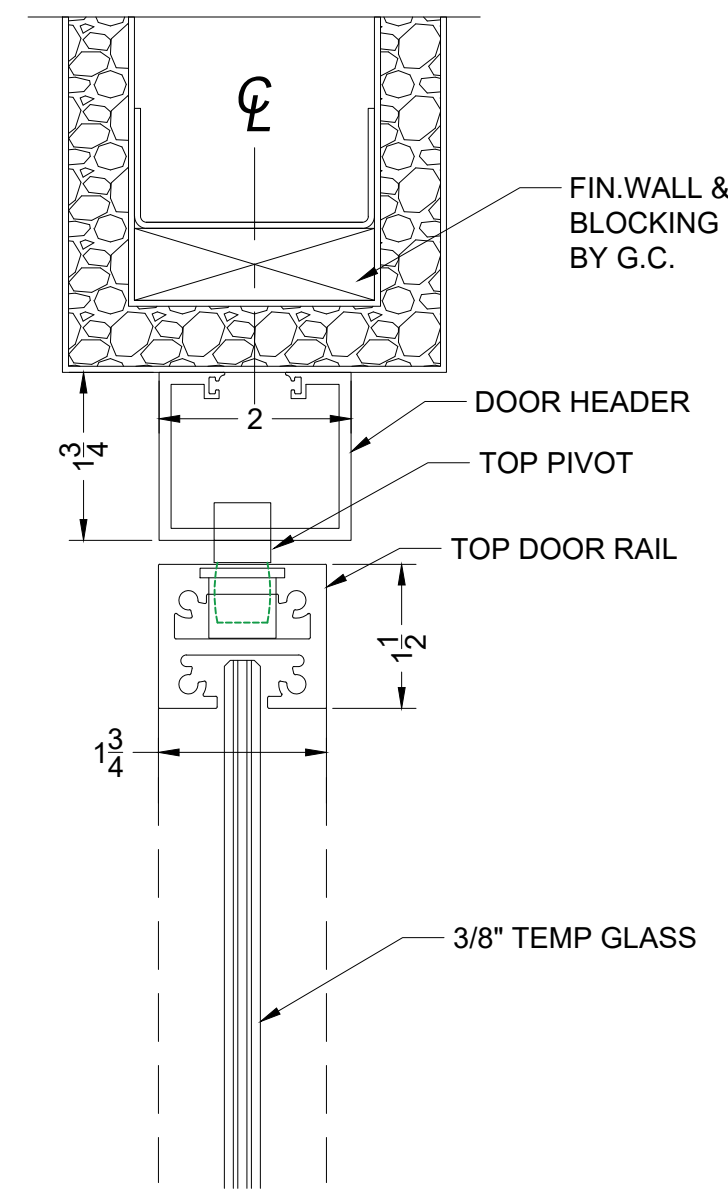


DETAIL @ FRAMED CENTER PIVOT GLASS DOOR/JAMB
6" = 1'-0" **C9**

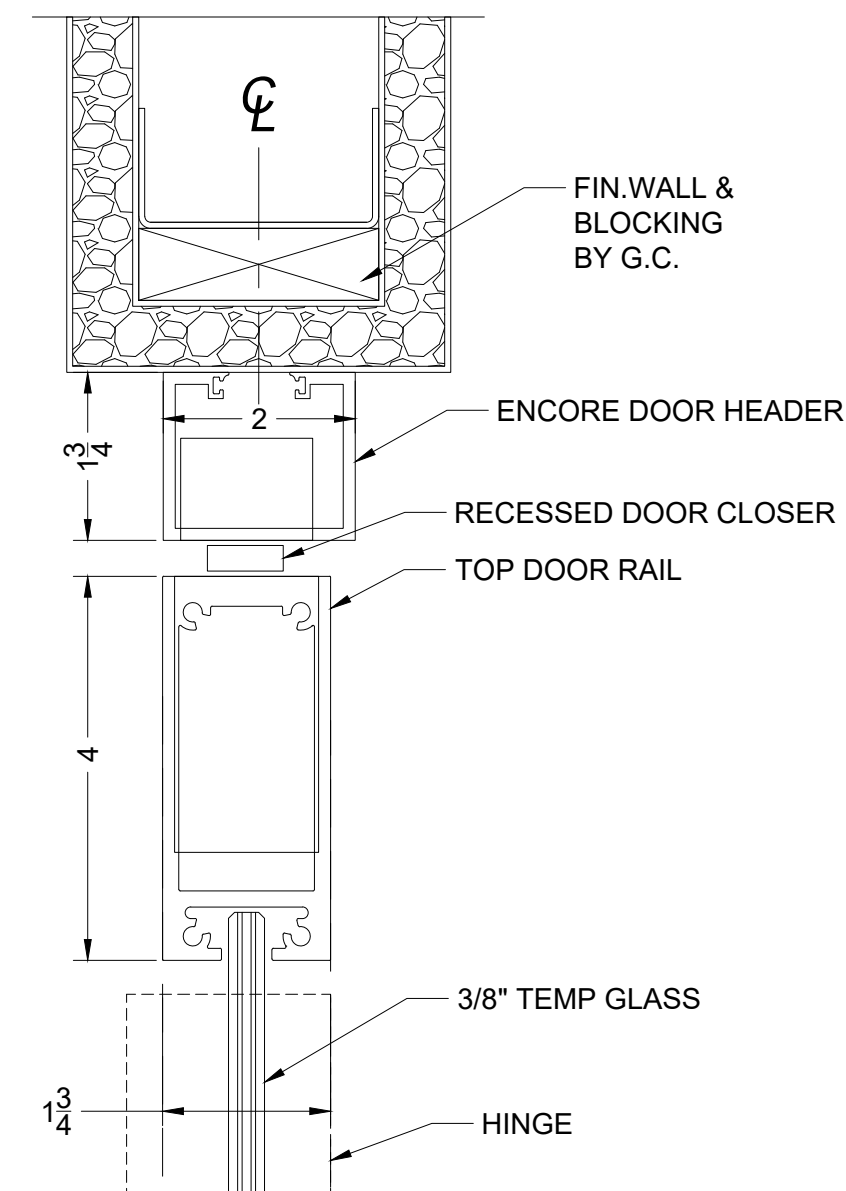


DETAIL @ ENCORE CENTER PIVOT DOUBLE DOOR
6" = 1'-0" **C10**

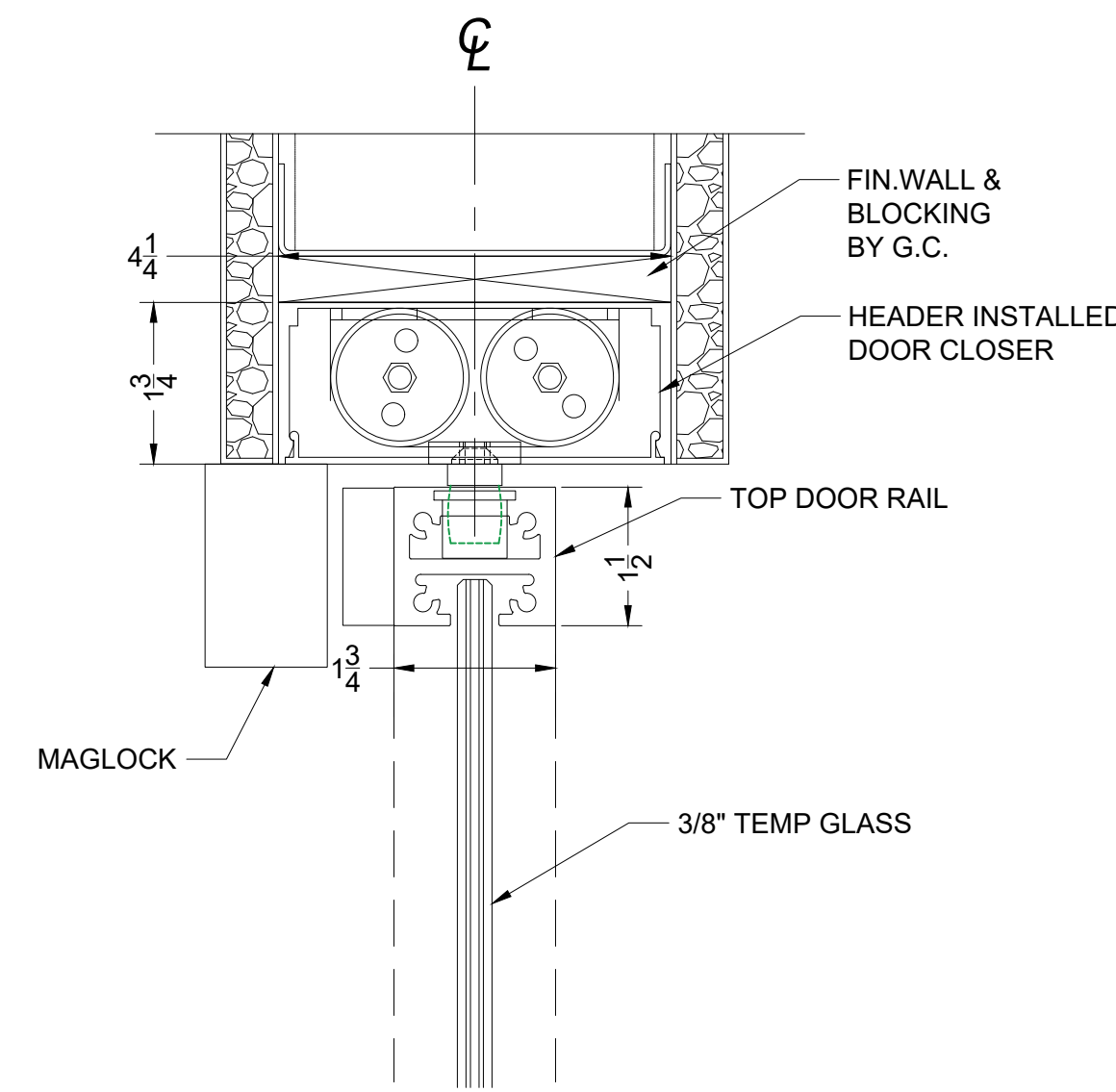
- NOTES:
1. ALL DIMENSIONS ARE TO BE VERIFIED IN FIELD;
 2. HEIGHTS MAY VARY ALONG FLOOR BASED ON FIELD CONDITION.
 3. G.C. TO PROVIDE BLOCKING AT ALL THE WALL/HEADER WHERE POST/TRACK EXISTS;
 4. GLASS TYPES:
THICKNESS: 3/8", 1/2", 5/8"
CLEAR TEMPERED
LOW IRON TEMPERED
CLEAR LAMINATED
ACOUSTIC LAMINATED
LOW IRON LAMINATED
 5. FINISHES:
CLEAR ANODIZED
BLACK ANODIZED
POWDER COAT
BRUSHED SATIN
MEDIUM BRONZE
 6. STD LEAD TIME: 3-5 WEEKS
 7. CONTACT: info@tagwallny.com
estimating@tagwallny.com



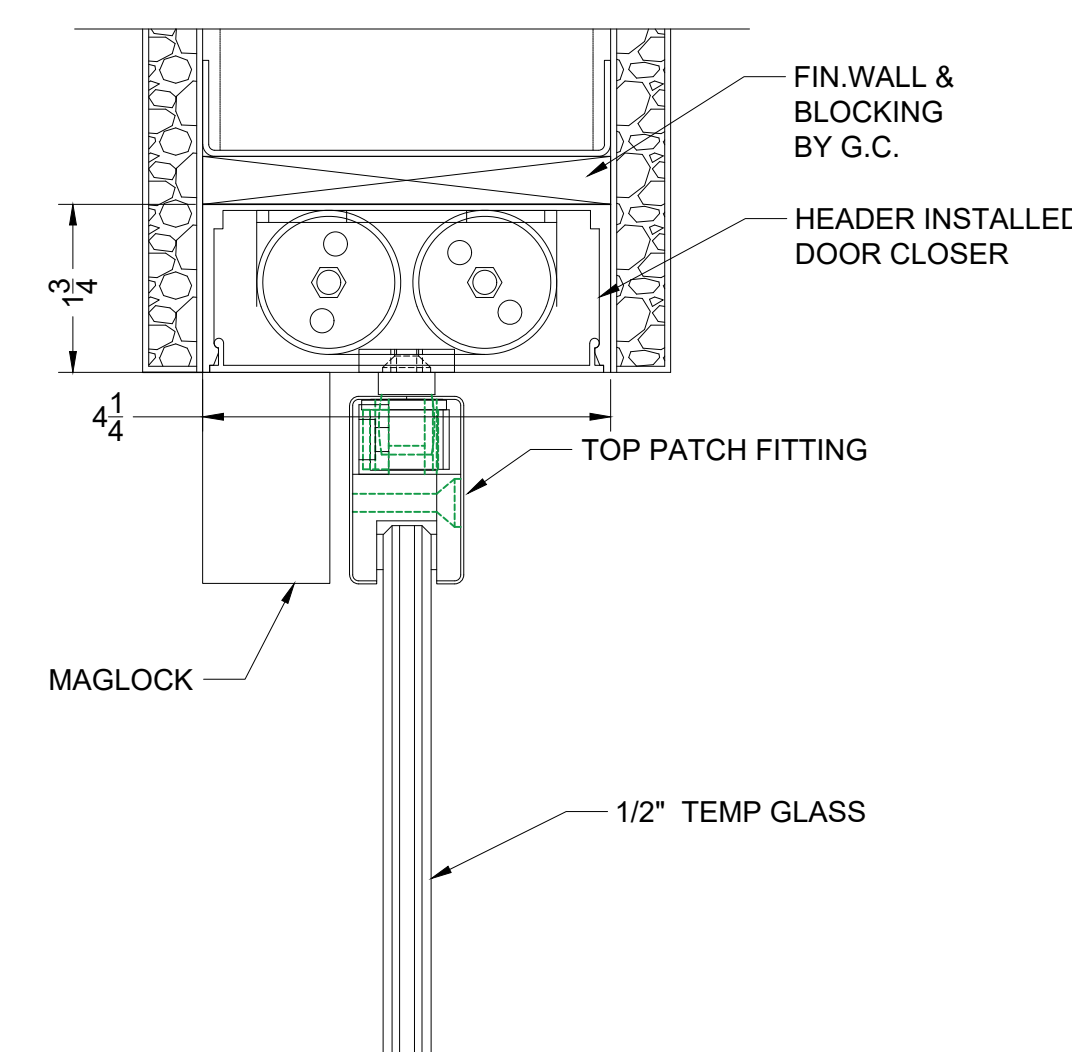
HEAD DETAIL @ FRAMED SWING DOOR
6" = 1'-0" **G5**



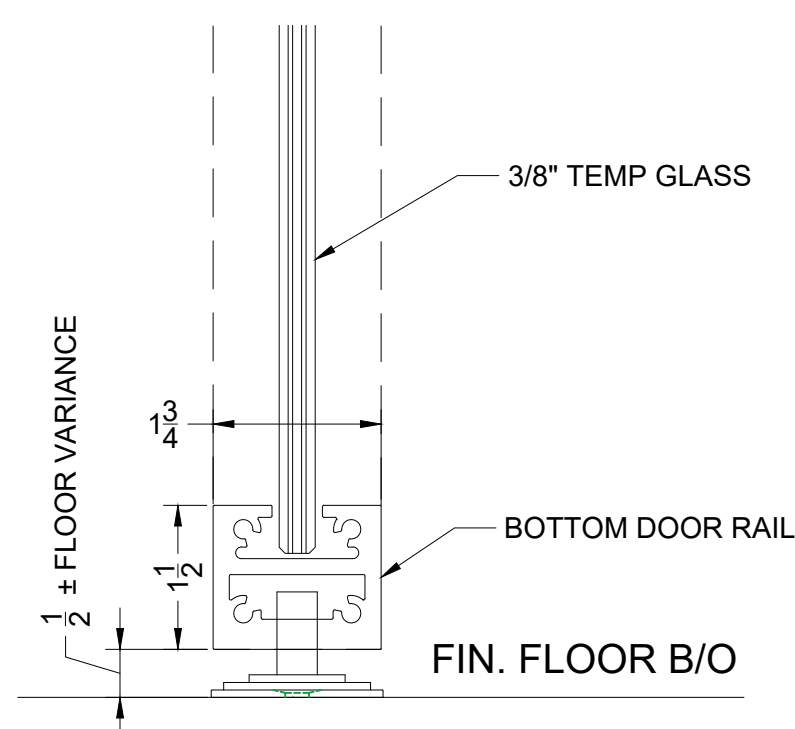
HEAD DETAIL @ FRAMED SWING DOOR
6" = 1'-0" **G6**



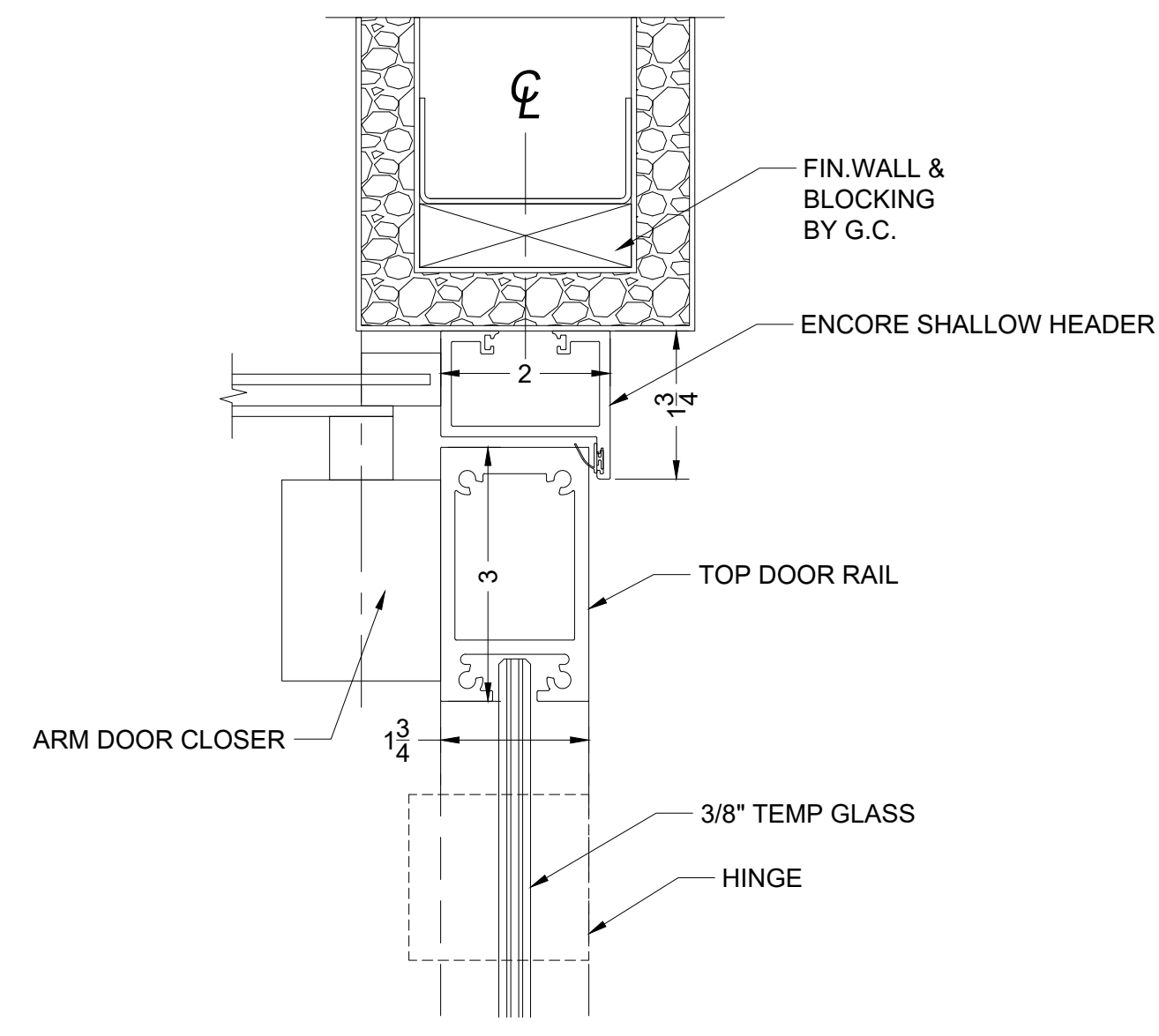
HEAD DETAIL @ FRAMED SWING DOOR
6" = 1'-0" **G8**



HEAD DETAIL @ SWING DOOR
6" = 1'-0" **G9**



BOTTOM DETAIL @ FRAMED SWING DOOR
6" = 1'-0" **H5**



HEAD DETAIL @ FRAMED SWING DOOR
6" = 1'-0" **G7**

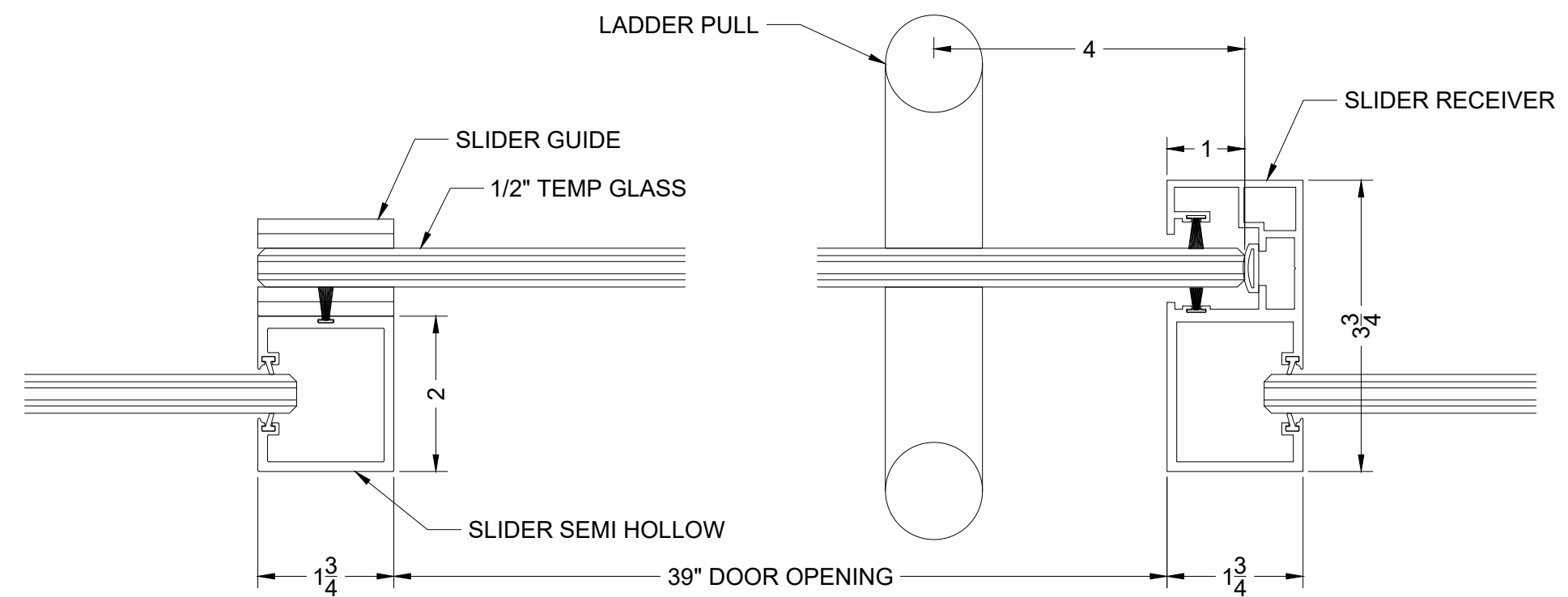
TAGWALL

321 W. 44TH ST, SUITE 200 NY, NY 10036
212.354.9255 tagwallny.com

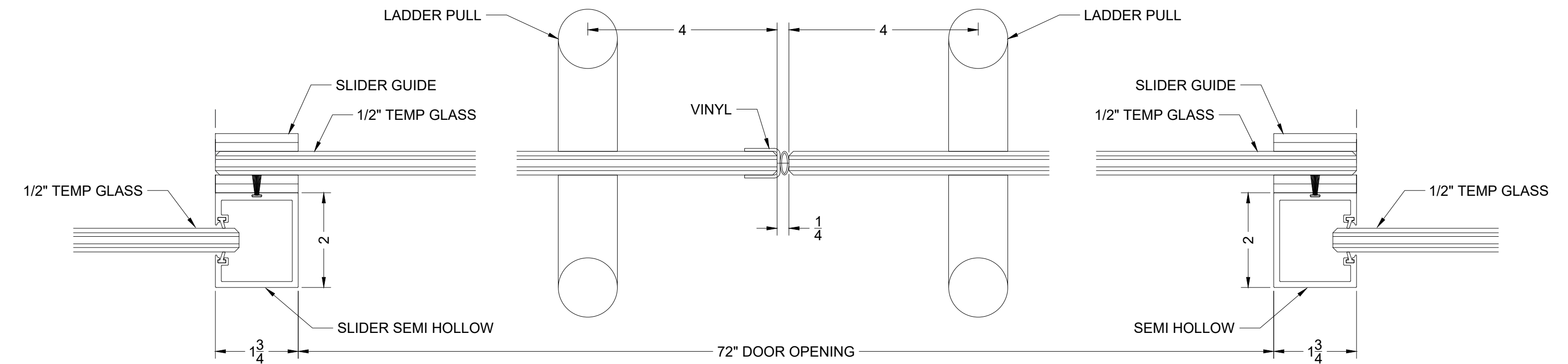
PROJECT:
ENCORE SYSTEM

DATE: 11/25/2020 SCALE: 6" = 1'-0" DRAWING No.
DRAWING TITLE:
DETAILS

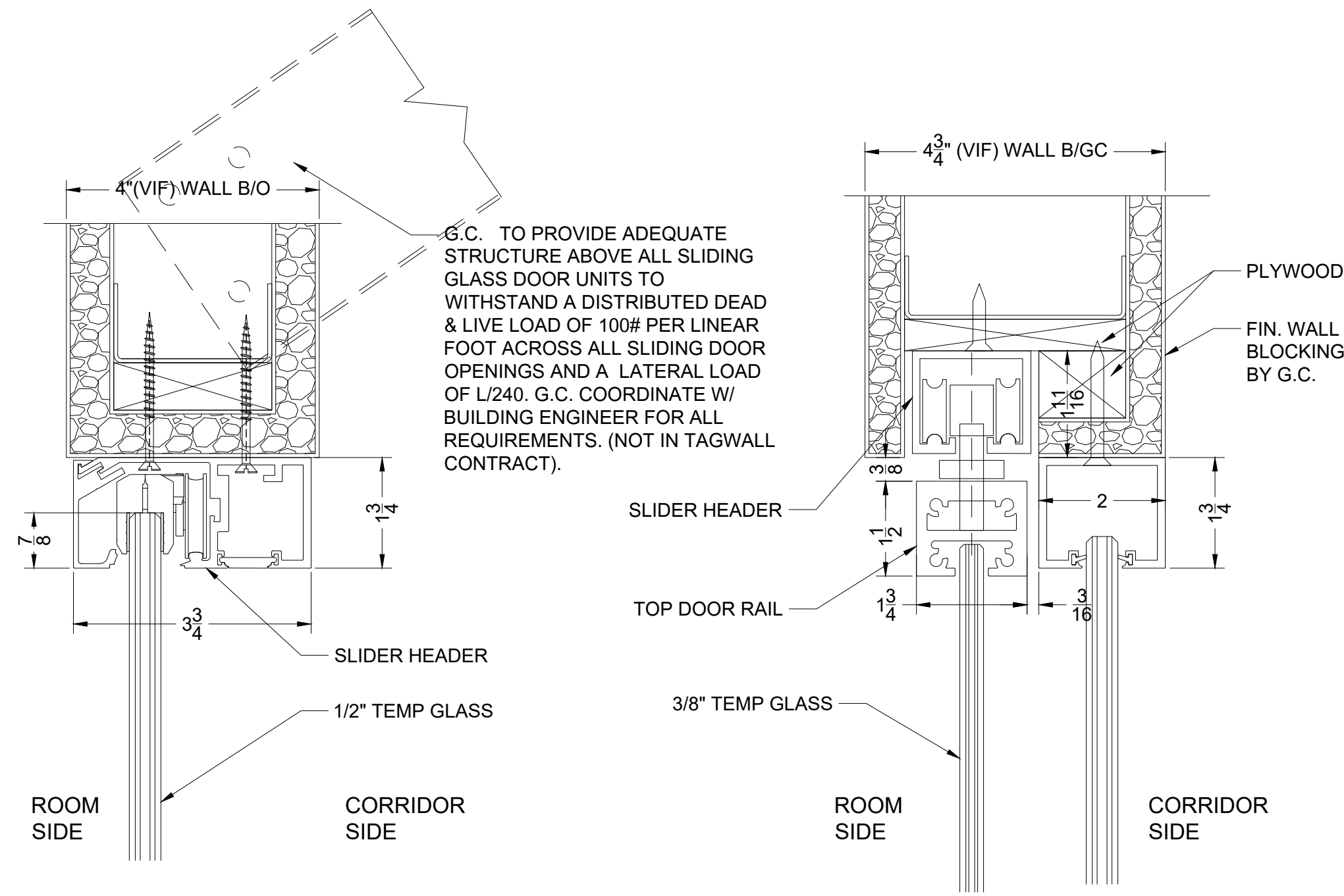
D-4



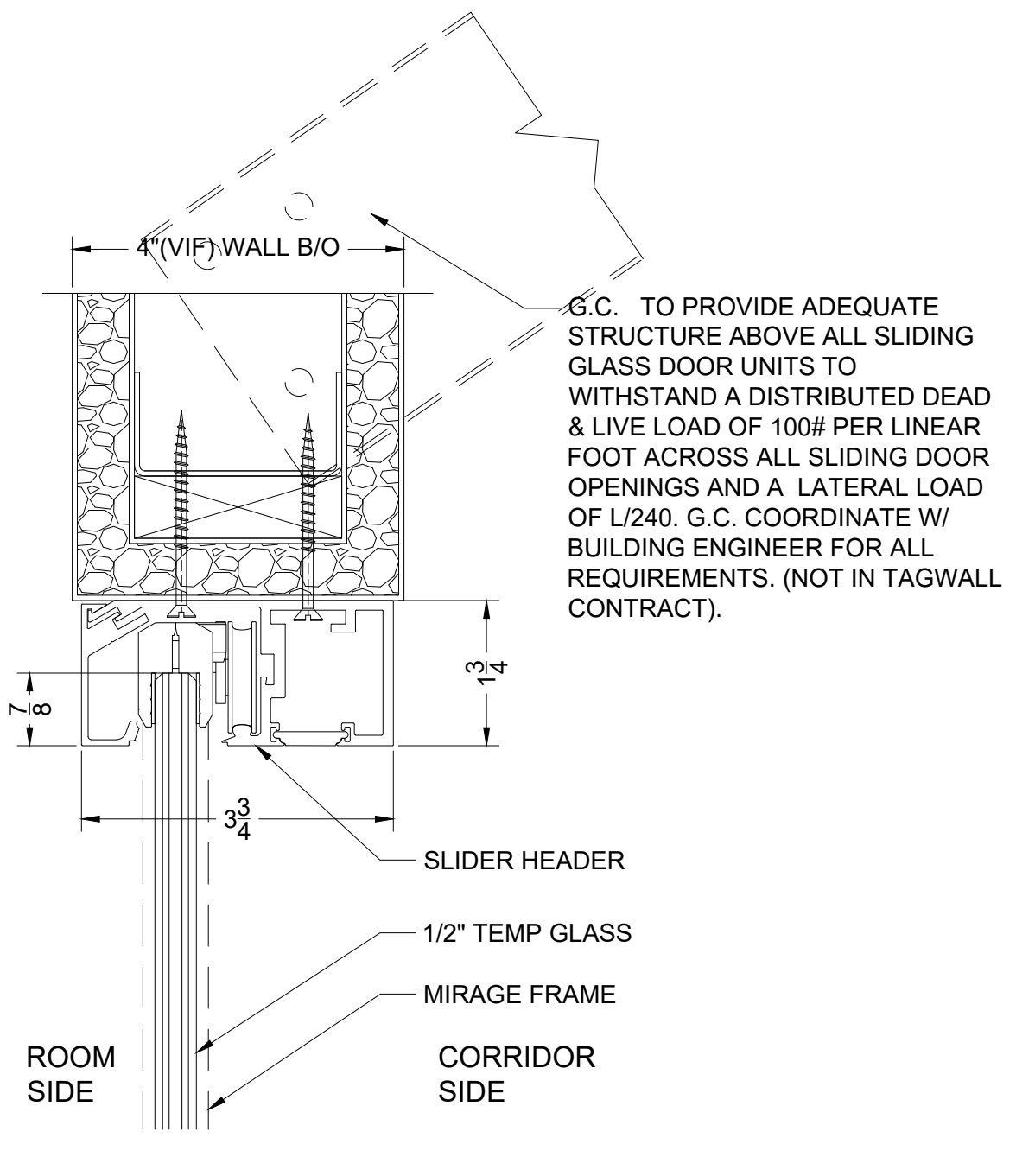
DETAIL @ SLIDING DOOR **S**
6" = 1'-0"



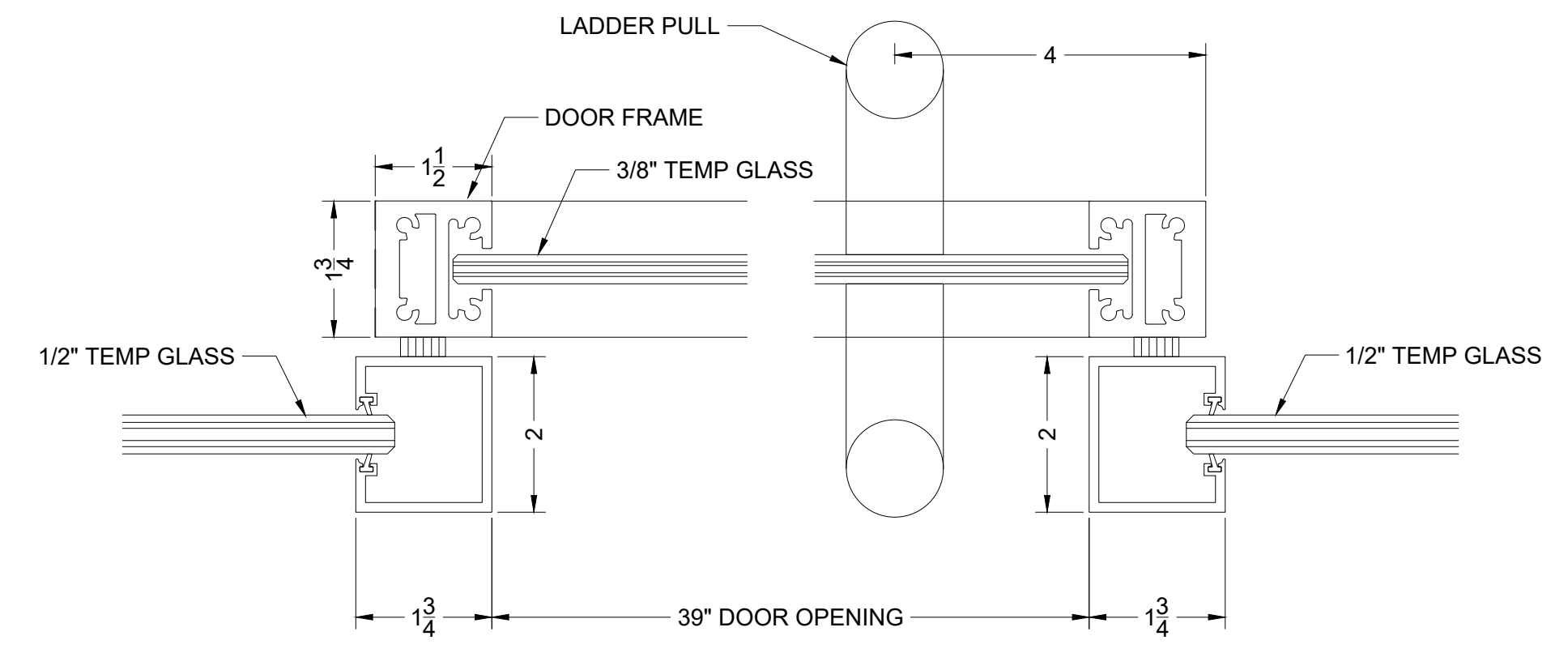
DETAIL @ DOUBLE SLIDING DOOR **S1**
6" = 1'-0"



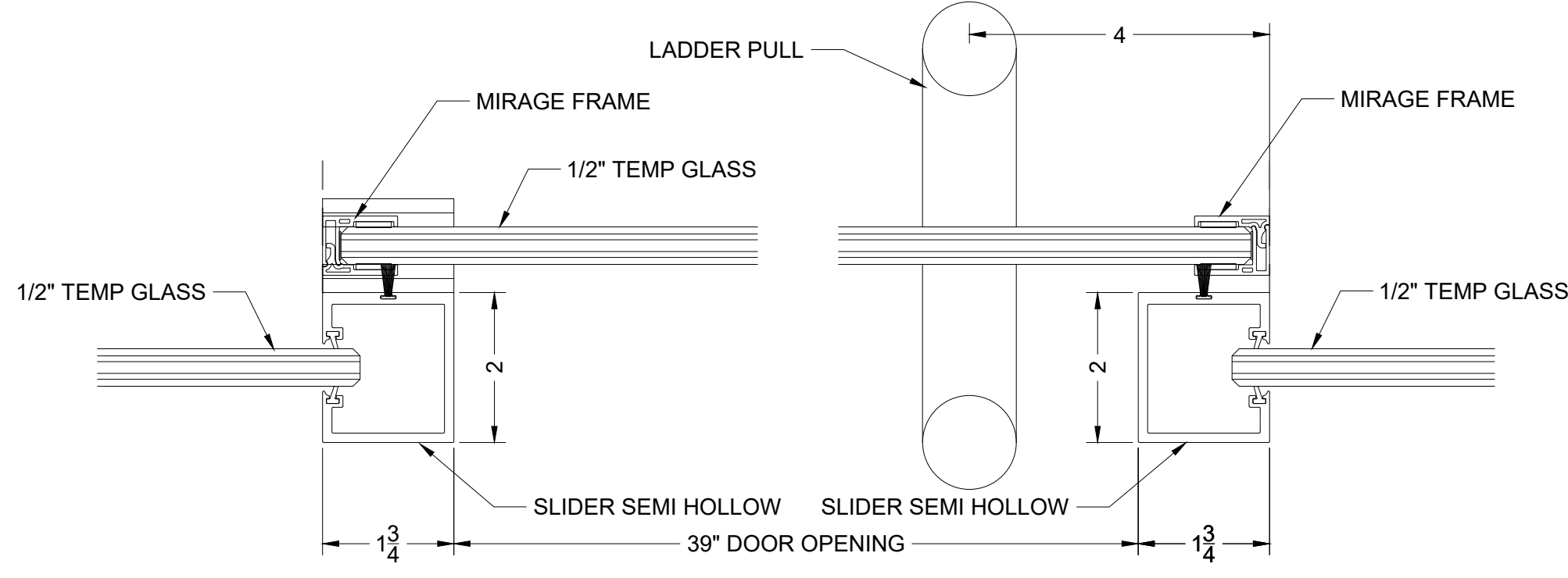
HEAD DETAIL @ SLIDING DOOR **G10** HEAD DETAIL @ SLIDER **G11**
6" = 1'-0"



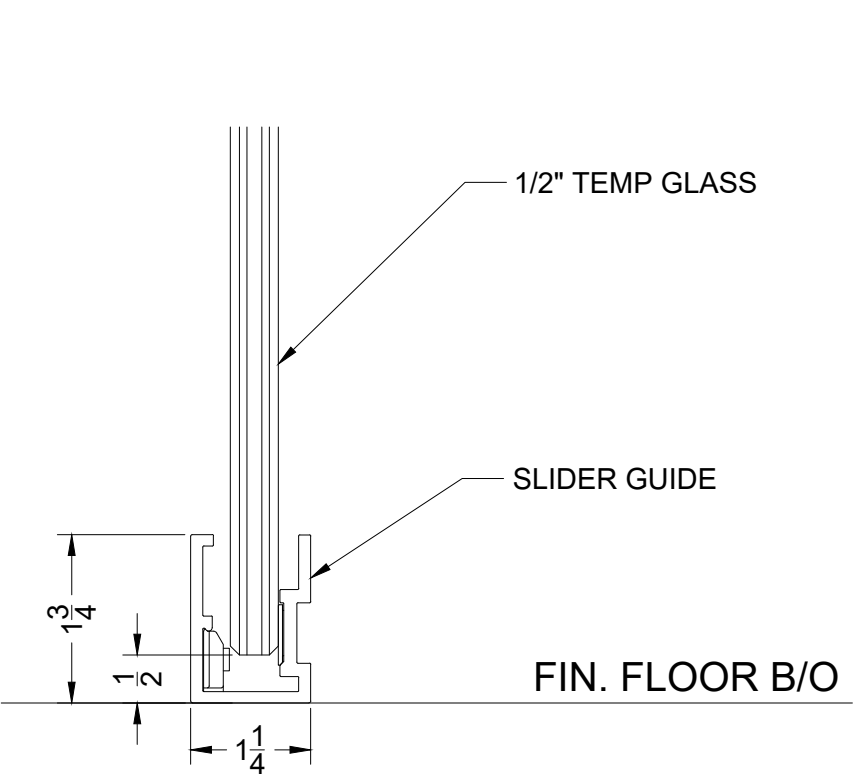
HEAD DETAIL @ SLIDING DOOR **G12**
6" = 1'-0"



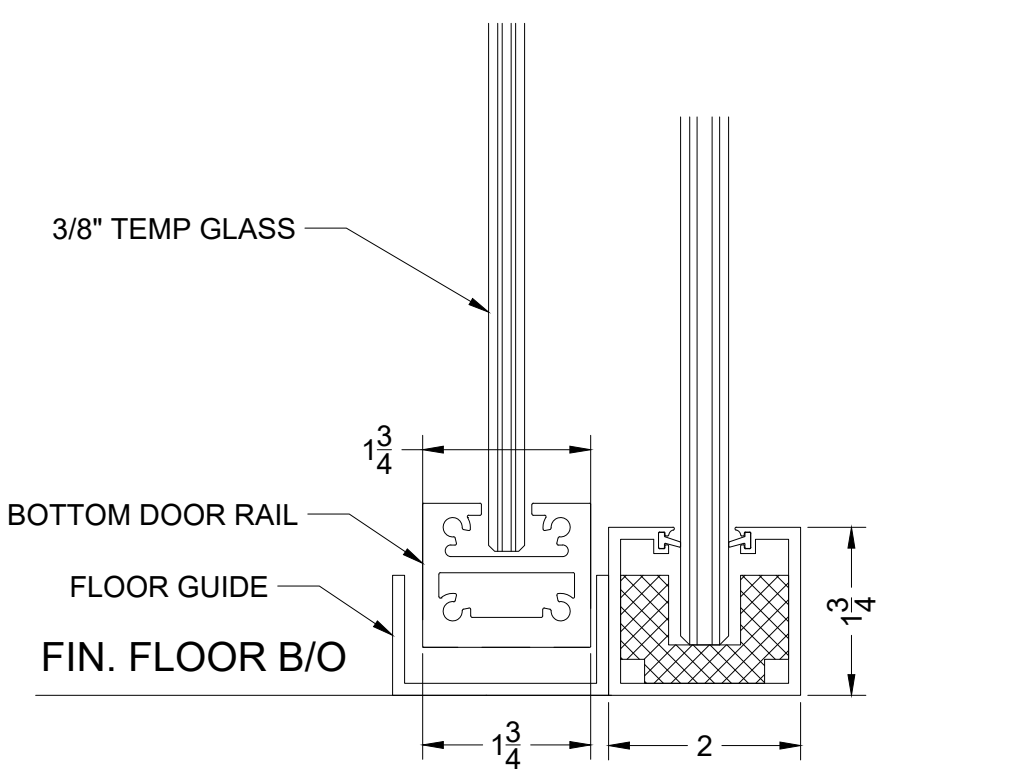
DETAIL @ FRAMED SLIDING DOOR **S2**
6" = 1'-0"



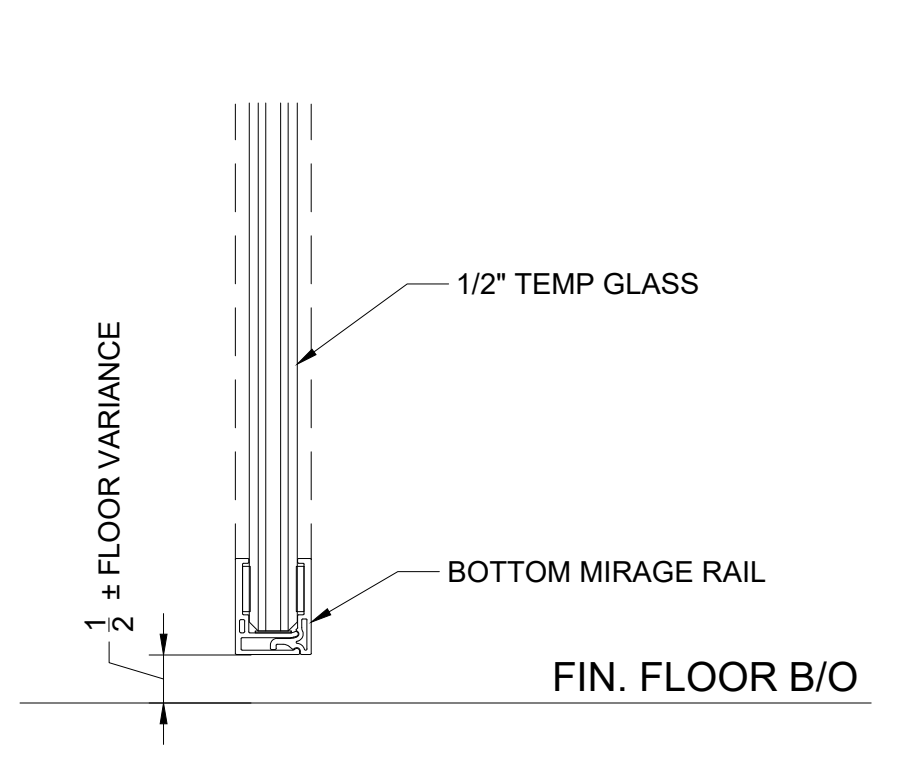
DETAIL @ SLIDING DOOR **S3**
6" = 1'-0"



BOTTOM DETAIL @ SLIDER GUIDE **H6**
6" = 1'-0"



BOTTOM DETAIL @ SLIDER **H7**
6" = 1'-0"



BOTTOM DETAIL @ SLIDER GUIDE **H8**
6" = 1'-0"

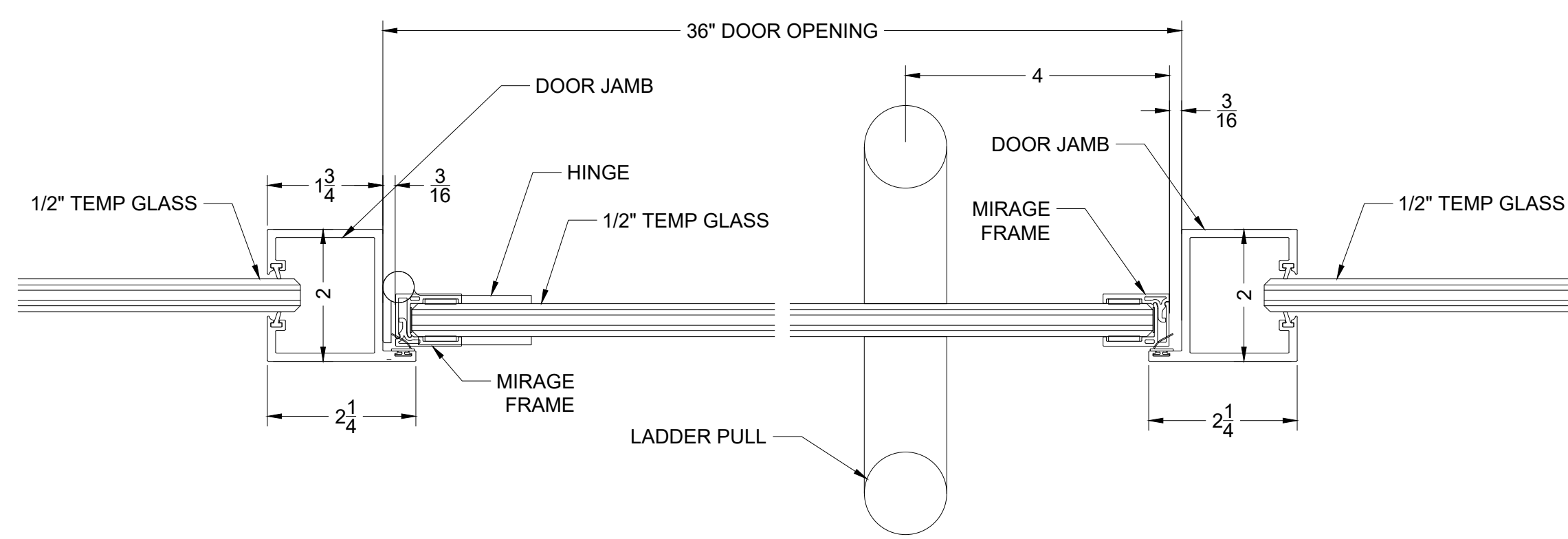
- NOTES:
1. ALL DIMENSIONS ARE TO BE VERIFIED IN FIELD;
 2. HEIGHTS MAY VARY ALONG FLOOR BASED ON FIELD CONDITION.
 3. G.C. TO PROVIDE BLOCKING AT ALL THE WALL/HEADER WHERE POST/TRACK EXISTS;
 4. GLASS TYPES:
THICKNESS: 3/8", 1/2", 5/8"
CLEAR TEMPERED
LOW IRON TEMPERED
CLEAR LAMINATED
ACOUSTIC LAMINATED
LOW IRON LAMINATED
 5. FINISHES:
CLEAR ANODIZED
BLACK ANODIZED
POWDER COAT
BRUSHED SATIN
MEDIUM BRONZE
 6. STD LEAD TIME: 3-5 WEEKS
 7. CONTACT: info@tagwallny.com
estimating@tagwallny.com

TAGWALL

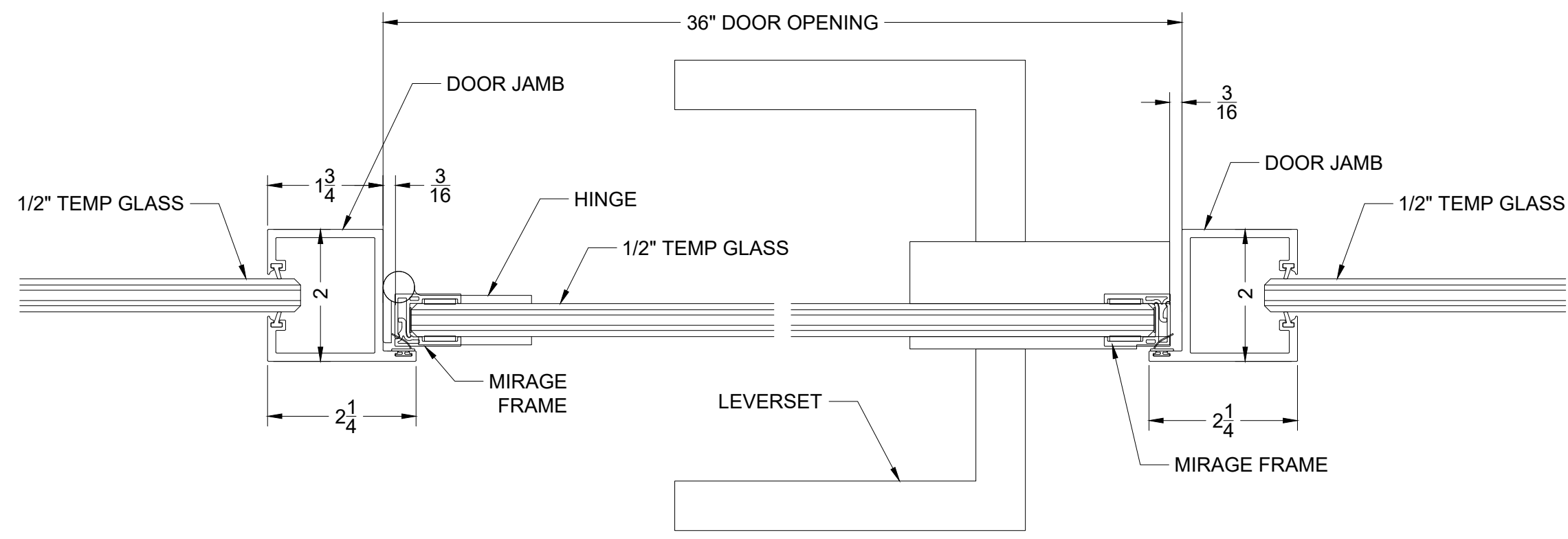
321 W. 44TH ST, SUITE 200 NY, NY 10036
212.354.9255 tagwallny.com

PROJECT: **ENCORE SYSTEM**

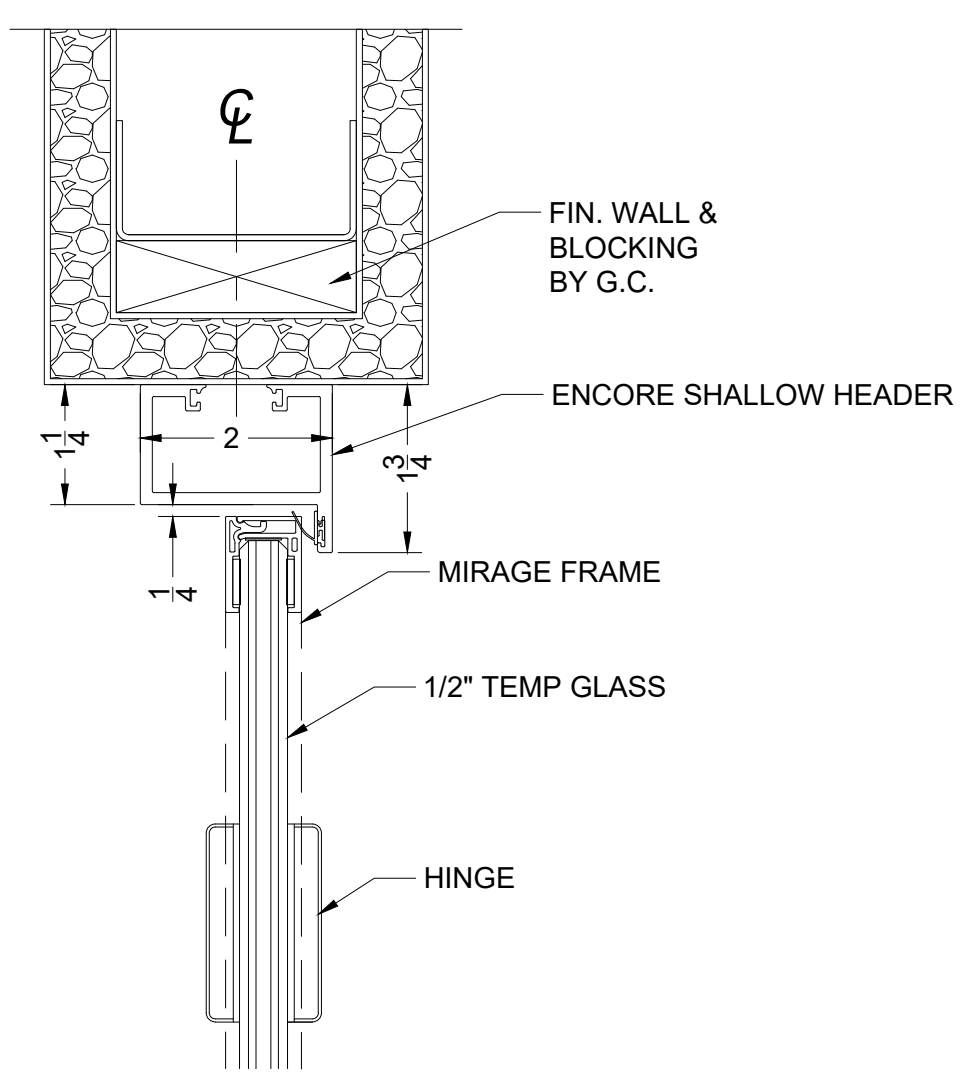
DATE: 11/25/2020 SCALE: 6" = 1'-0" DRAWING No. **D-5**



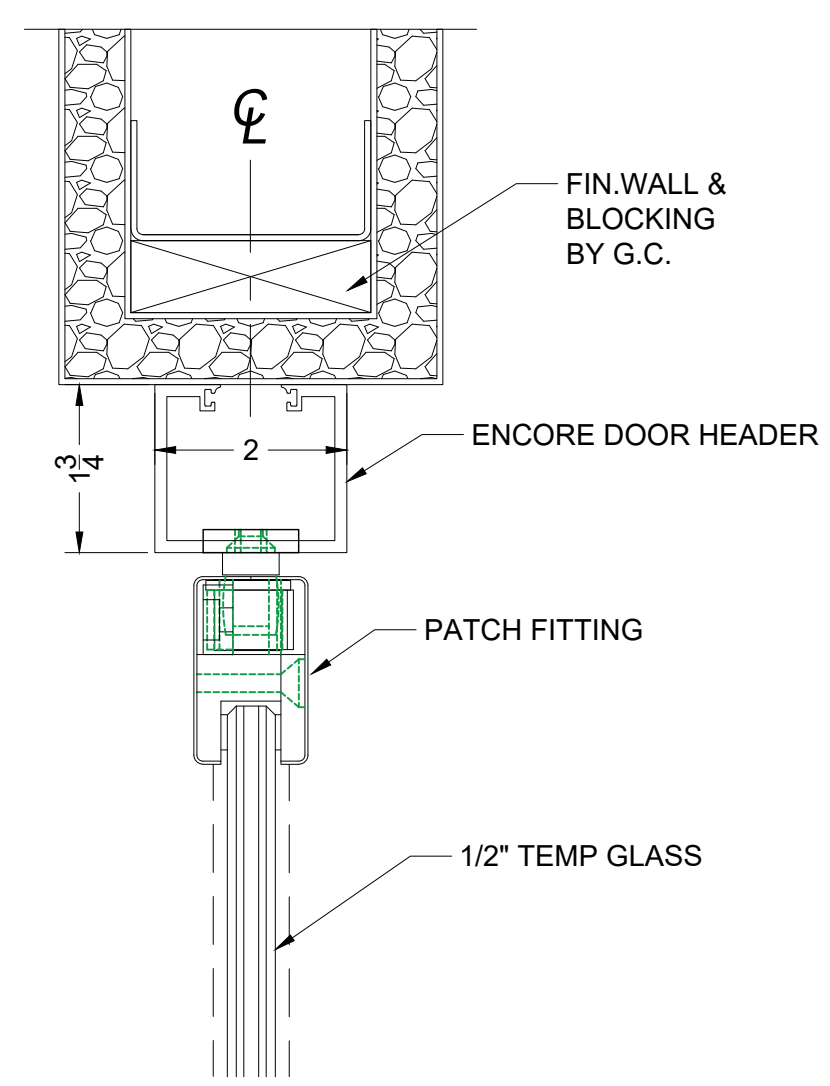
DETAIL@ SWING DOOR **C11**
6" = 1'-0"



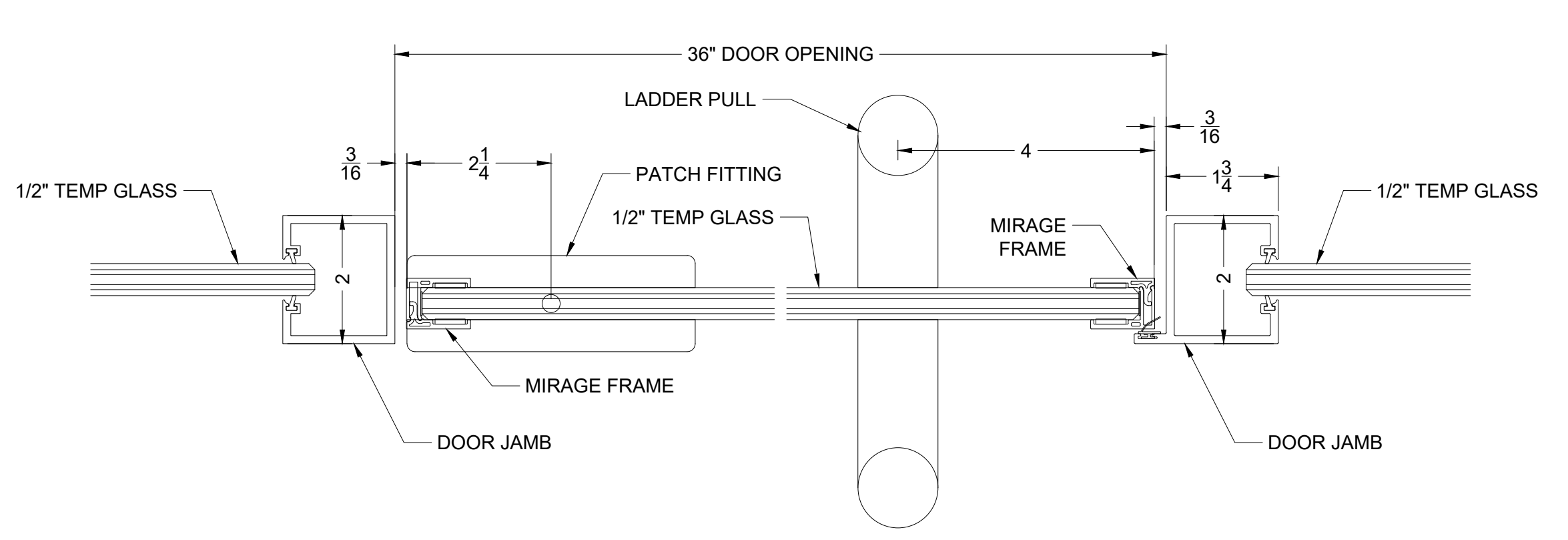
DETAIL@ ENCORE FULL FRAME SWING DOOR **C12**
6" = 1'-0"



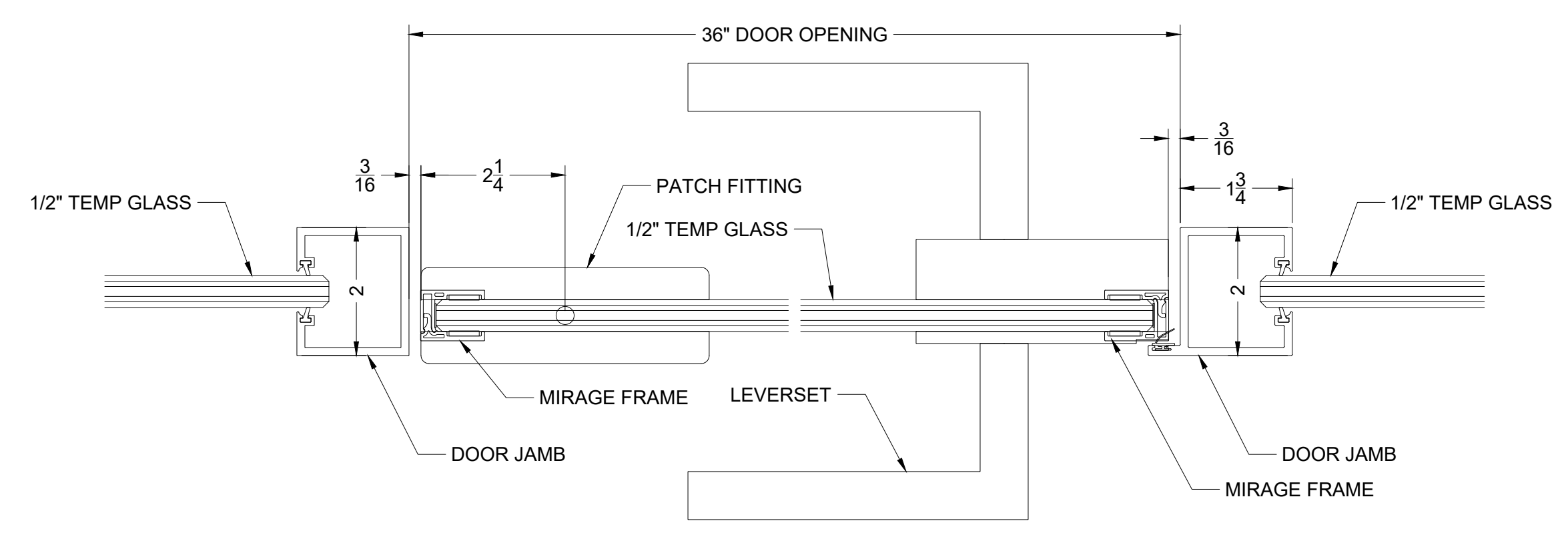
HEAD DETAIL @ SWING DOOR **G13**
6" = 1'-0"



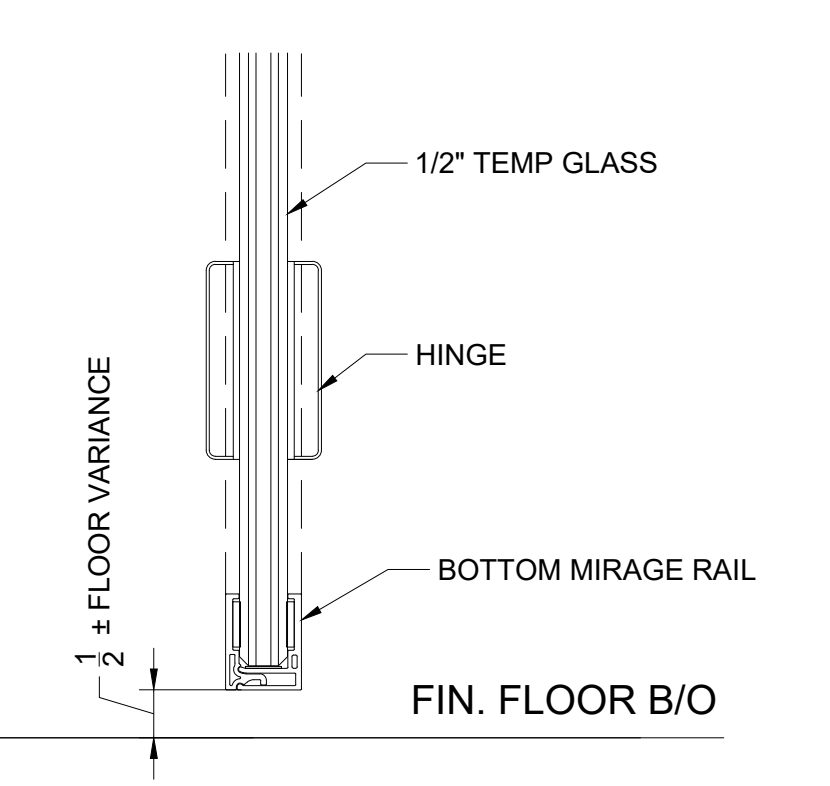
HEAD DETAIL @ SWING DOOR **G14**
6" = 1'-0"



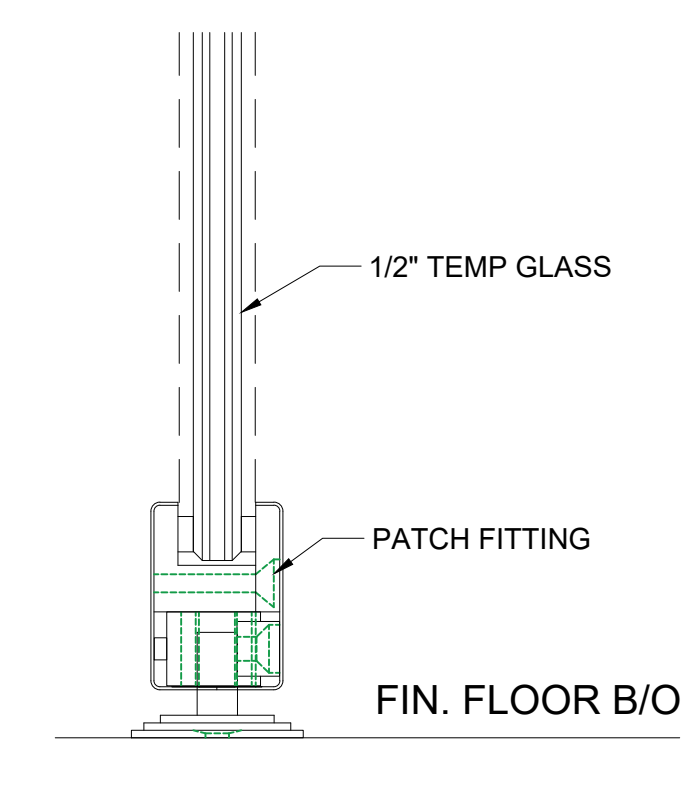
DETAIL@ ENCORE PIVOT DOOR **C13**
6" = 1'-0"



DETAIL@ ENCORE PIVOT DOOR **C14**
6" = 1'-0"



BOTTOM DETAIL @ SWING DOOR **H9**
6" = 1'-0"



BOTTOM DETAIL @ SWING DOOR **H10**
6" = 1'-0"

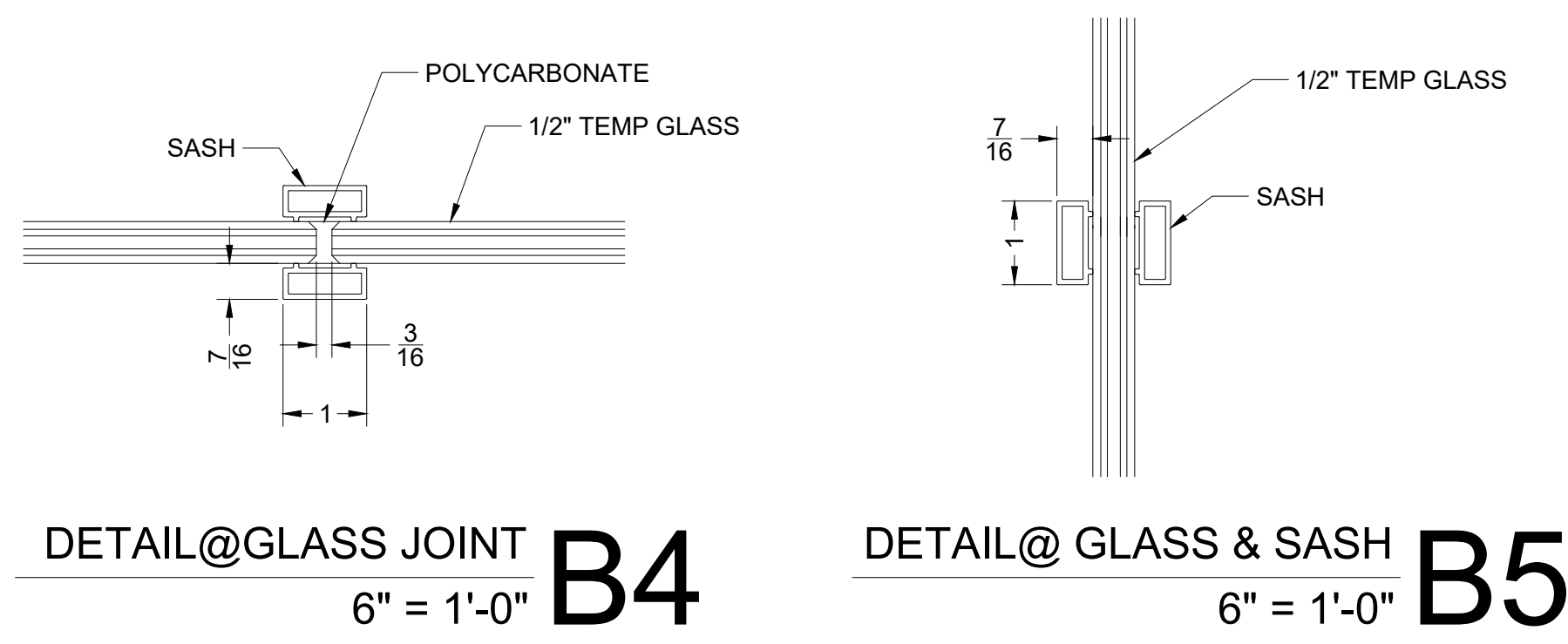
- NOTES:
1. ALL DIMENSIONS ARE TO BE VERIFIED IN FIELD;
 2. HEIGHTS MAY VARY ALONG FLOOR BASED ON FIELD CONDITION.
 3. G.C. TO PROVIDE BLOCKING AT ALL THE WALL/HEADER WHERE POST/TRACK EXISTS;
 4. GLASS TYPES:
THICKNESS: 3/8", 1/2", 5/8"
CLEAR TEMPERED
LOW IRON TEMPERED
CLEAR LAMINATED
ACOUSTIC LAMINATED
LOW IRON LAMINATED
 5. FINISHES:
CLEAR ANODIZED
BLACK ANODIZED
POWDER COAT
BRUSHED SATIN
MEDIUM BRONZE
 6. STD LEAD TIME: 3-5 WEEKS
 7. CONTACT: info@tagwallny.com
estimating@tagwallny.com

TAGWALL

321 W. 44TH ST, SUITE 200 NY, NY 10036
212.354.9255 tagwallny.com

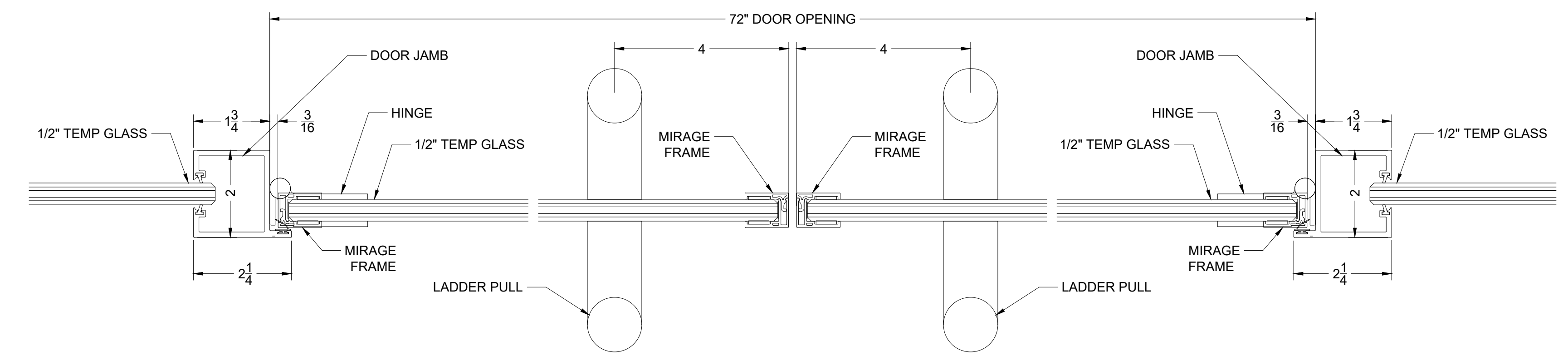
PROJECT:
ENCORE SYSTEM

DATE: 11/25/2020	SCALE: 6" = 1'-0"	DRAWING No.
DRAWING TITLE: DETAILS		D-6

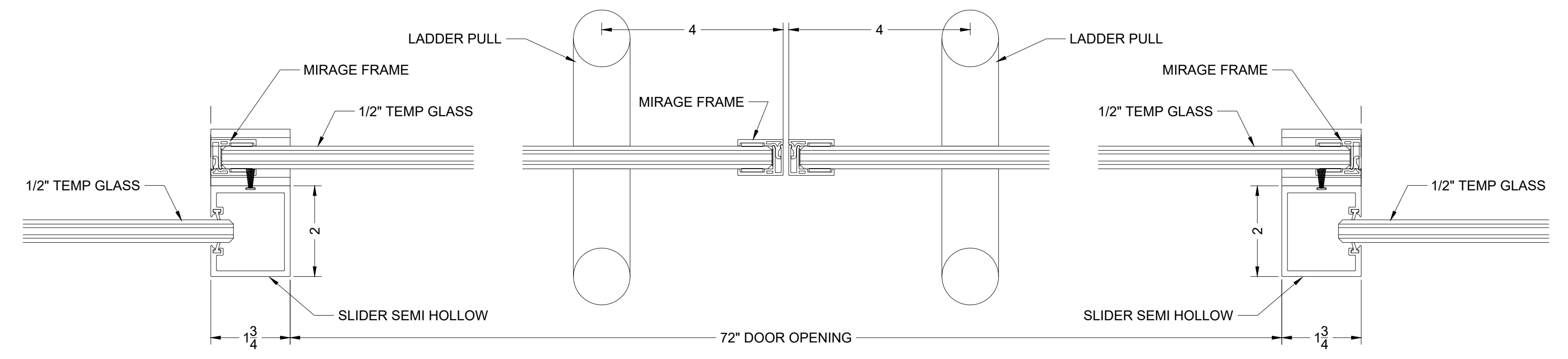


DETAIL@GLASS JOINT **B4**
6" = 1'-0"

DETAIL@GLASS & SASH **B5**
6" = 1'-0"



DETAIL@SWING DOOR **C15**
6" = 1'-0"



DETAIL @ SLIDING DOOR **S4**
6" = 1'-0"

- NOTES:
1. ALL DIMENSIONS ARE TO BE VERIFIED IN FIELD;
 2. HEIGHTS MAY VARY ALONG FLOOR BASED ON FIELD CONDITION.
 3. G.C. TO PROVIDE BLOCKING AT ALL THE WALL/HEADER WHERE POST/TRACK EXISTS;
 4. GLASS TYPES:
THICKNESS: 3/8", 1/2", 5/8"
CLEAR TEMPERED
LOW IRON TEMPERED
CLEAR LAMINATED
ACOUSTIC LAMINATED
LOW IRON LAMINATED
 5. FINISHES:
CLEAR ANODIZED
BLACK ANODIZED
POWDER COAT
BRUSHED SATIN
MEDIUM BRONZE
 6. STD LEAD TIME: 3-5 WEEKS
 7. CONTACT: info@tagwallny.com
estimating@tagwallny.com

TAGWALL

321 W. 44TH ST, SUITE 200 NY, NY 10036
212.354.9255 tagwallny.com

PROJECT:
ENCORE SYSTEM

DATE: 11/25/2020	SCALE: 6" = 1'-0"	DRAWING No.
DRAWING TITLE: DETAILS		D-7