



INDUSTRIAL SASH



About Industrial Sash

We developed Industrial Sash through collaboration with architects & designers who wanted style and superior acoustical performance at an affordable price.



Industrial Sash's modular components integrate with all of Tagwall's systems. Its applied mullions are customizable to your design's aesthetic or budget.



Lead Times & Installation

Manufactured in the USA, Tagwall's products have the fastest lead times in the industry. Additionally, for quick, turn-key solutions, we keep a number of products in-stock in our warehouse that can be on-site within hours.

Our trusted installation team has been with the company for the past 15 years. Tagwall assigns an internal project manager who is on-site several times a week during installation, and our executives visit regularly for oversight and quality control. We perform our own punchlists when the carpenters are still on site to minimize day two work as much as possible for our clients.

Materials & Finishes

GLASS



POWDER COAT



METAL



WOOD



Doors

Doors on Industrial Sash can be framed or unframed, sliding or swinging, and designed with any of the standard Tagwall glass or wood finishes. Solid infill panels can be specified in any of the standard wood finishes or to match a designers sample, for the ultimate in design flexibility.



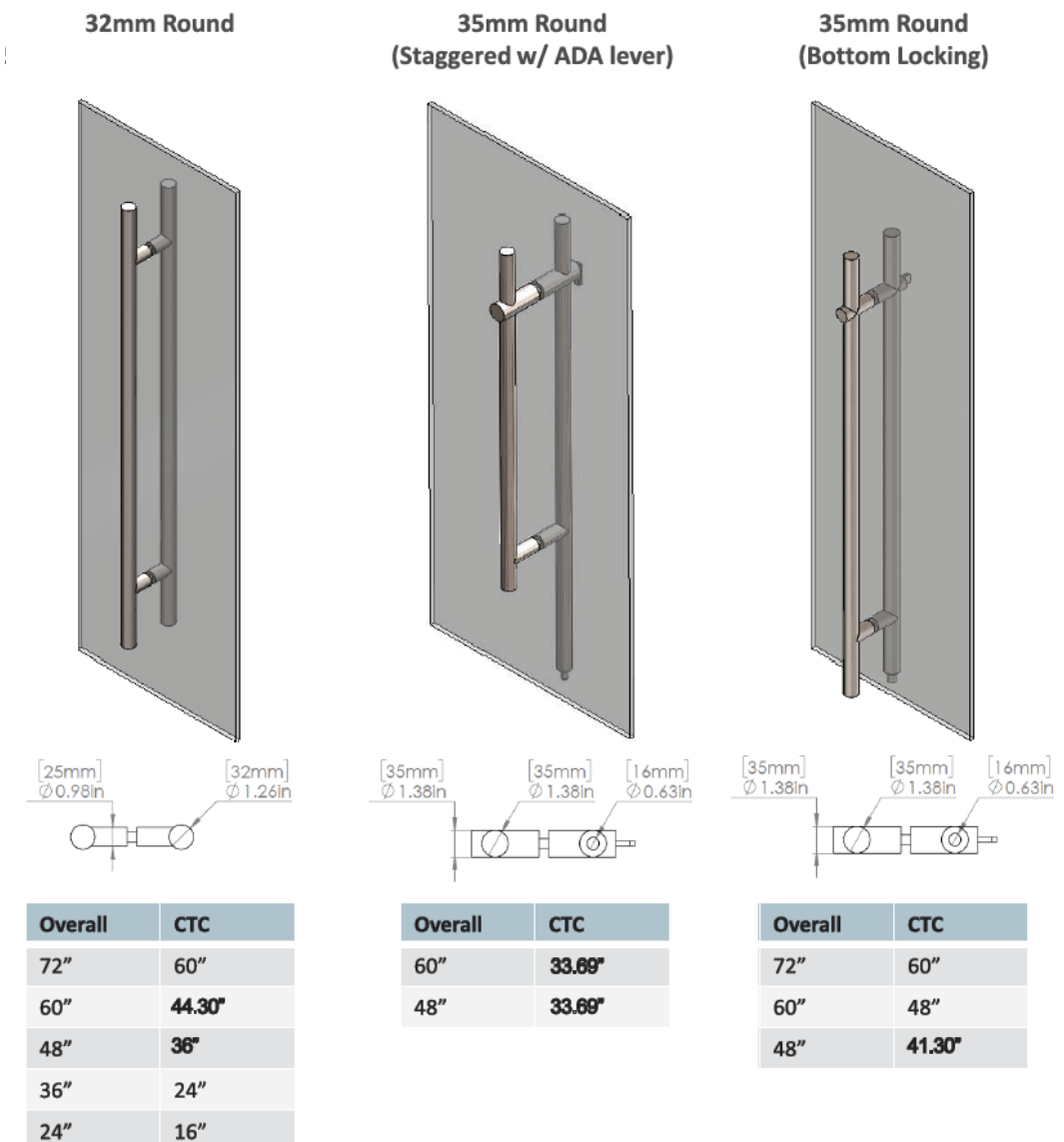
Industrial Sash's applied mullions are available in two sizes:

1" wide x 3/8" thick

1 3/8" wide x 5/8" thick

Hardware

In addition to being compatible with all of the major door hardware manufacturers, Tagwall also produces its own more cost effective hardware, which can be specified with six standard different finishes. Custom finishes available upon request.





STC Ratings

Industrial Sash's STC ratings range between 35 and 45, depending on the configuration of the wall system and specified hardware.

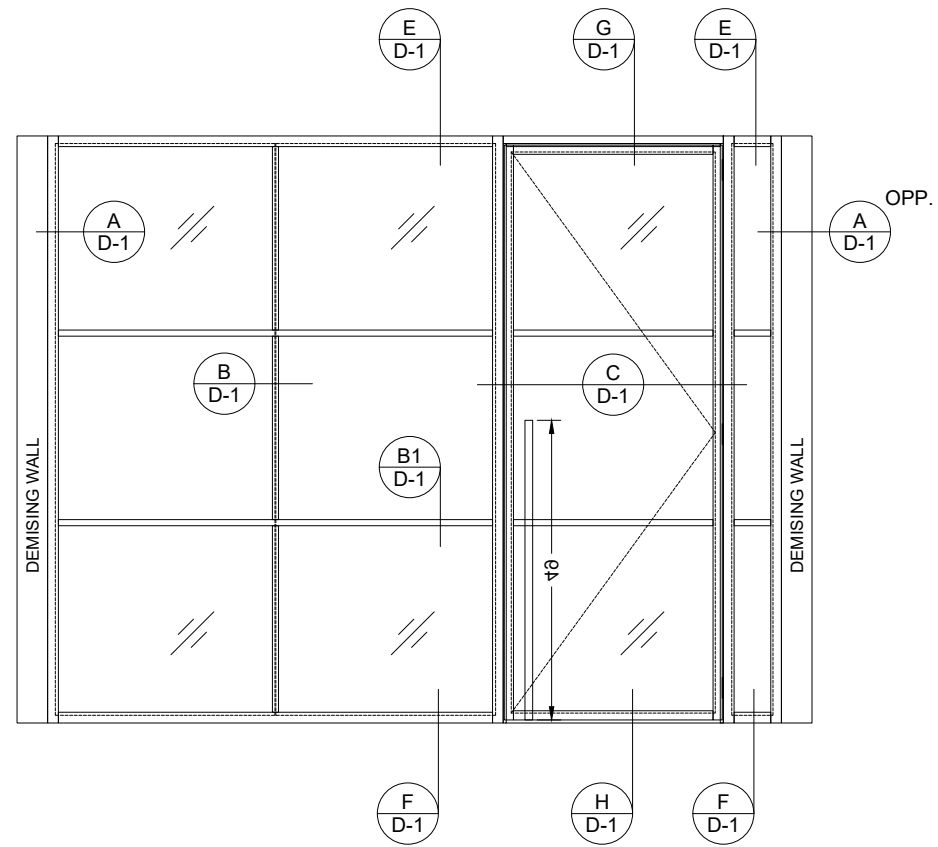


Technical Information

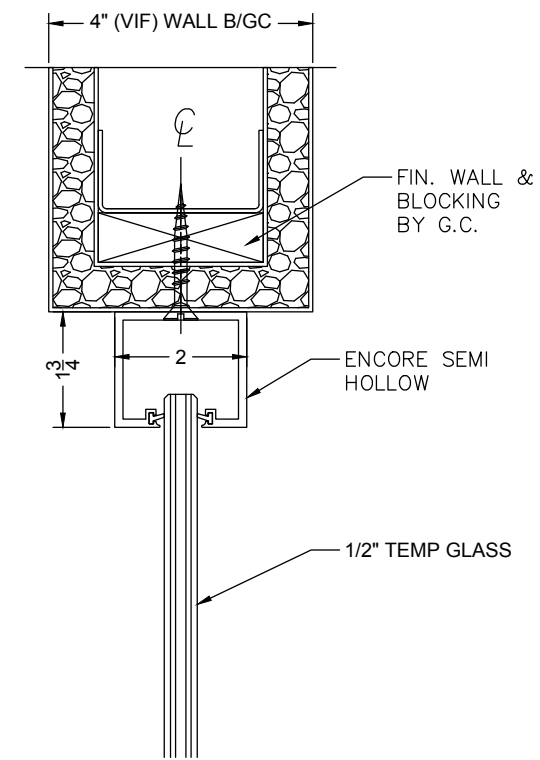
Highlights of Industrial Sash include:

- Hidden gasket system
- Tight polycarbonate glass joints
- Applied mullions available in two sizes: 1" wide x 3/8" thick, & 1 3/8" wide x 5/8" thick
- ADA Compliant
- LEED points available for local manufacturing

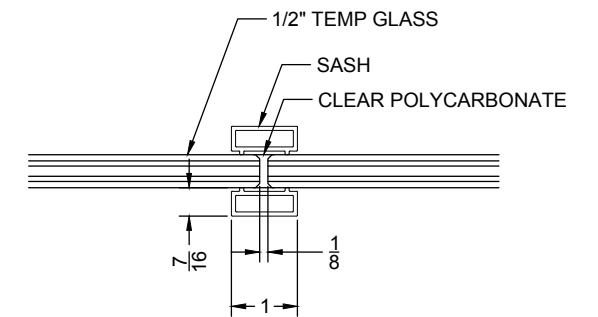
Full sets of technical drawings are available for download at www.tagwall.com/technical-drawings



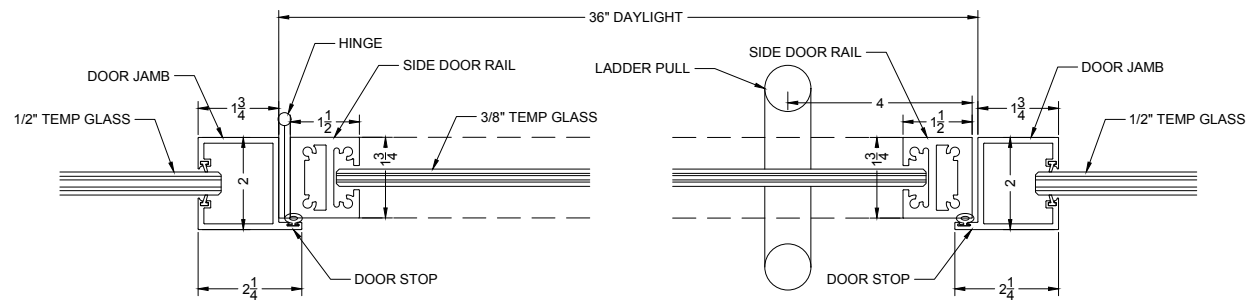
ELEVATION: FRAMED SWING DOOR WITH LADDER PULL



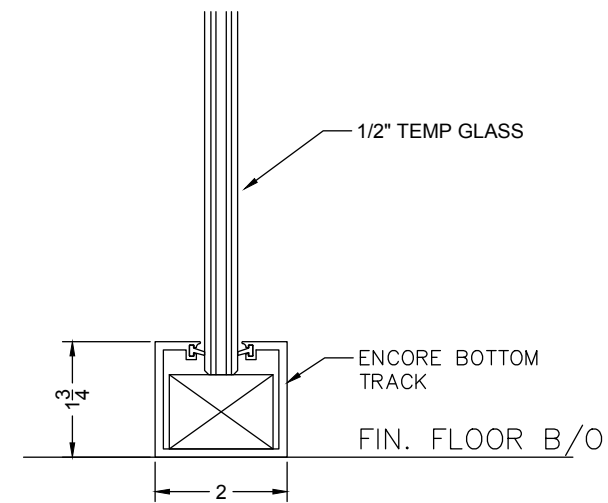
DETAIL: TOP TRACK



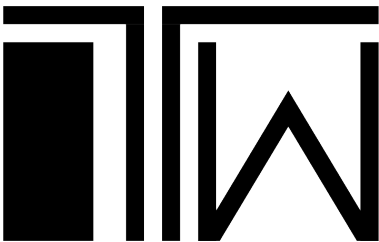
DETAIL: GLASS JOINT



DETAIL: HINGED FRAMED GLASS DOOR WITH LADDER PULL + JAMB



DETAIL: BOTTOM TRACK



321 West 44th Street, Suite 200
New York, NY 10036
+1 212-354-9255
info@tagwall.com