



EVOLVE



About Evolve

Tagwall designed Evolve as a compact double or single-glazed system, incorporating a sleeker design without impacting sound attenuation.



Evolve's double-glazed system is narrower than all others on the market. It is modular, and its components integrate with all of Tagwall's systems. Additionally, Evolve's double-glazed system can be used in conjunction with single-glazed systems without sacrificing aesthetics.



Lead Times & Installation

Manufactured in the USA, Tagwall's products have the fastest lead times in the industry. Additionally, for quick, turn-key solutions, we keep a number of products in-stock in our warehouse that can be on-site within hours.

Our trusted installation team has been with the company for the past 15 years. Tagwall assigns an internal project manager who is on-site several times a week during installation, and our executives visit regularly for oversight and quality control. We perform our own punchlists when the carpenters are still on site to minimize day two work as much as possible for our clients.

Materials & Finishes

GLASS



POWDER COAT



METAL



WOOD



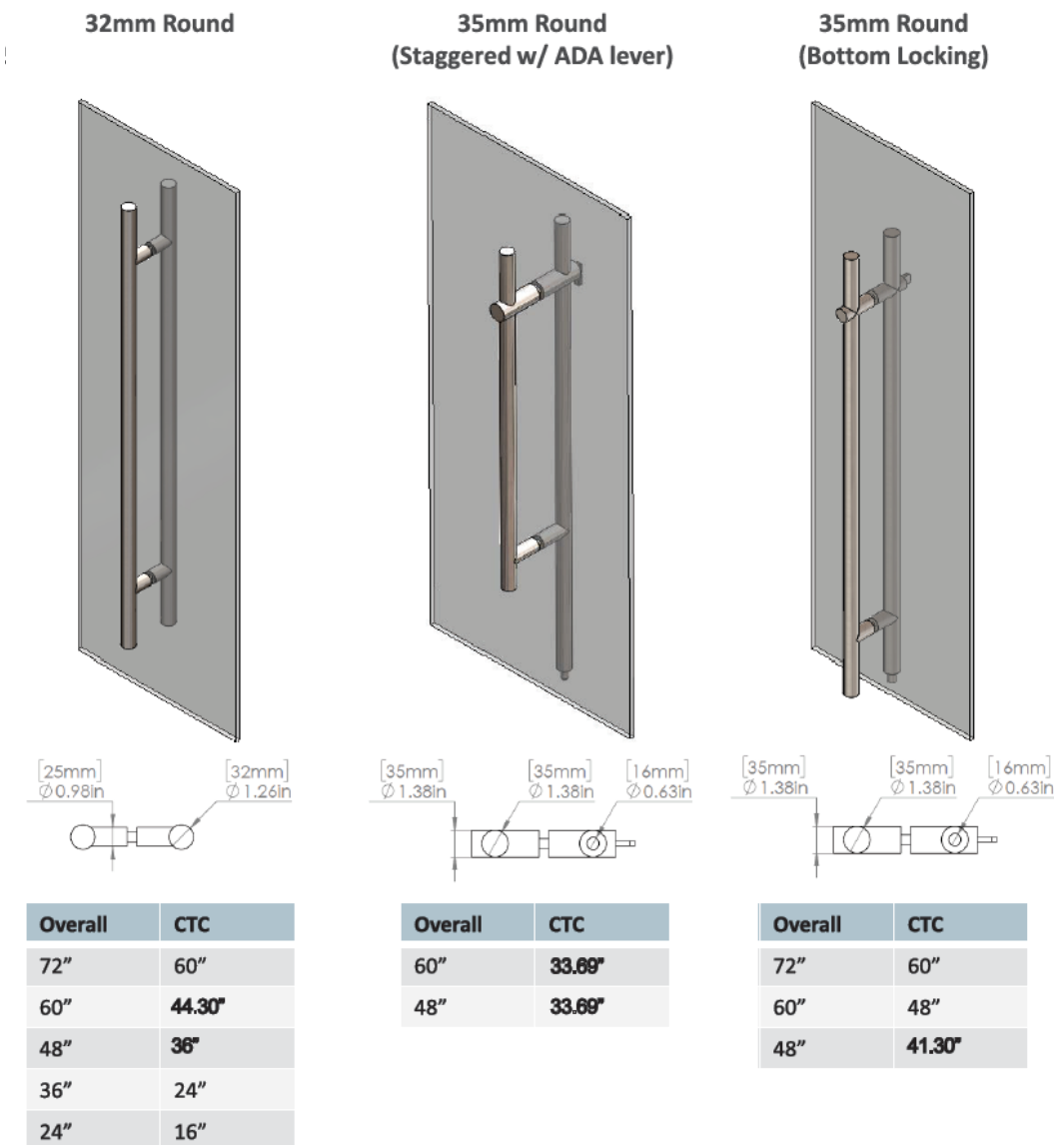
Doors

Doors on Evolve can be framed or unframed, sliding or swinging, and designed with any of the standard Tagwall glass or wood finishes. Solid infill panels can be specified in any of the standard wood finishes or to match a designers sample, for the ultimate in design flexibility.



Hardware

In addition to being compatible with all of the major door hardware manufacturers, Tagwall also produces its own more cost effective hardware, which can be specified with six standard different finishes. Custom finishes available upon request.





STC Ratings

Evolve's STC ratings range between 35 and 45, depending on the configuration of the wall system and specified hardware.

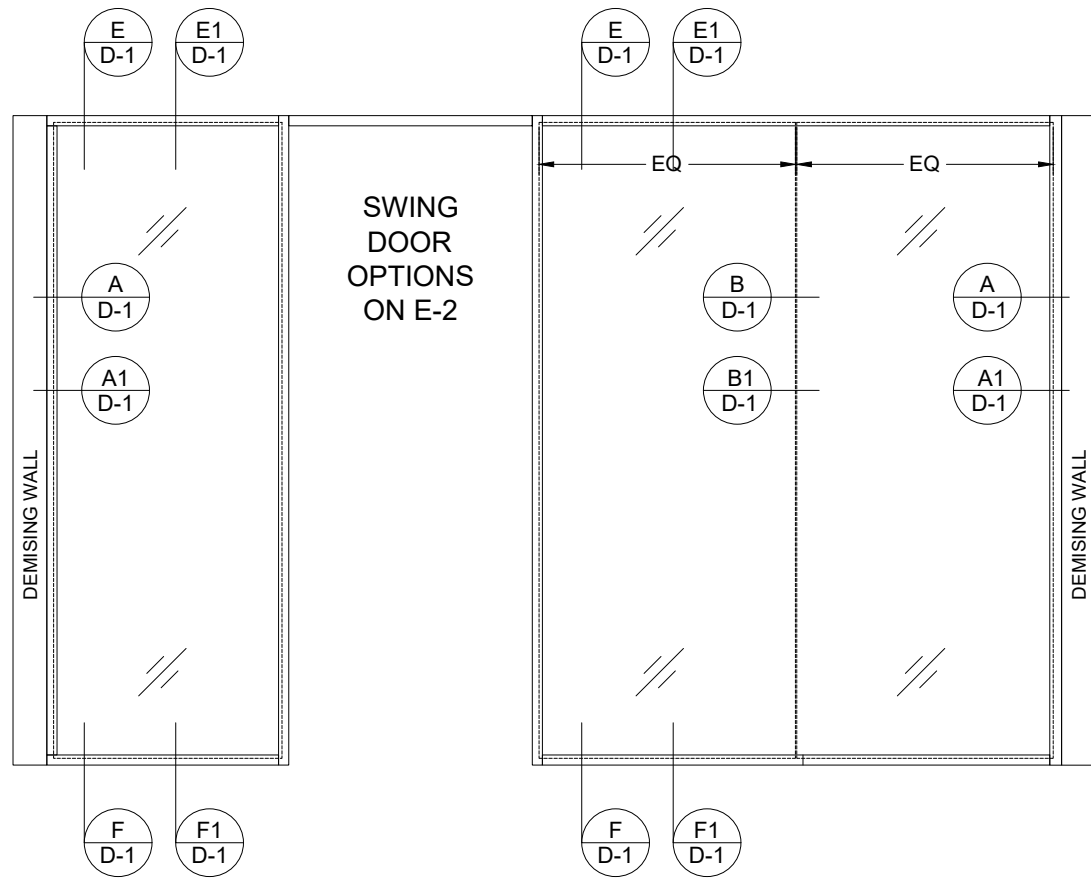


Technical Information

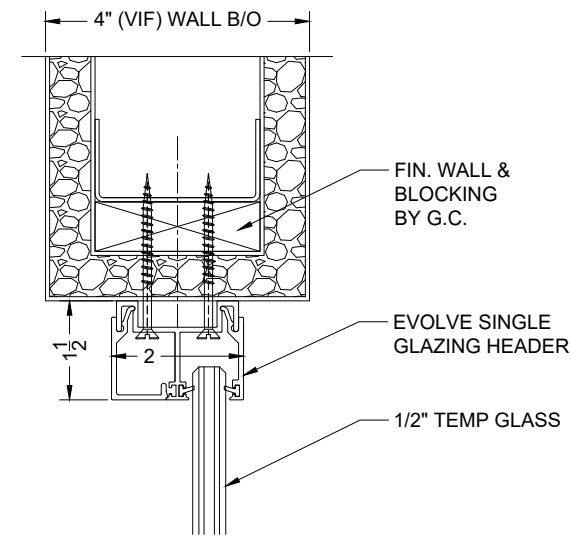
Highlights of Evolve include:

- Slimmest double-glazed system available on the market
- Can be specified single- or double-glazed
- Hidden gasket system
- Tight polycarbonate glass joints
- ADA Compliant
- LEED points available for local manufacturing

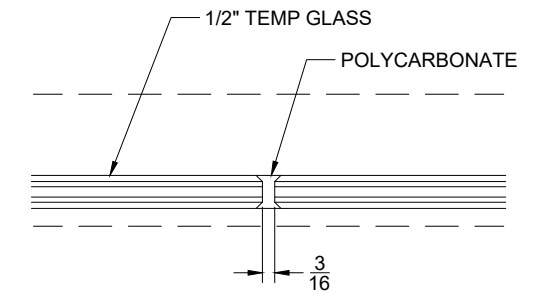
Full sets of technical drawings are available for download at www.tagwall.com/technical-drawings



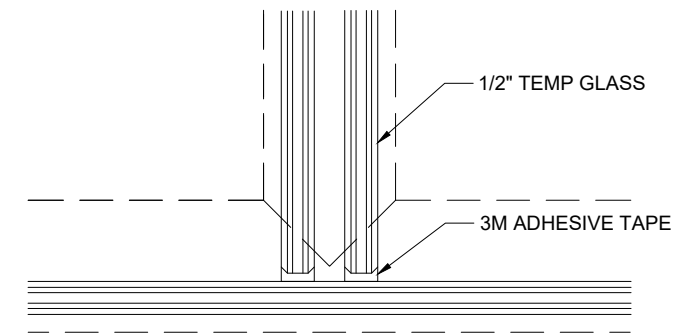
ELEVATION: FRAMED SWING DOOR WITH LADDER PULL



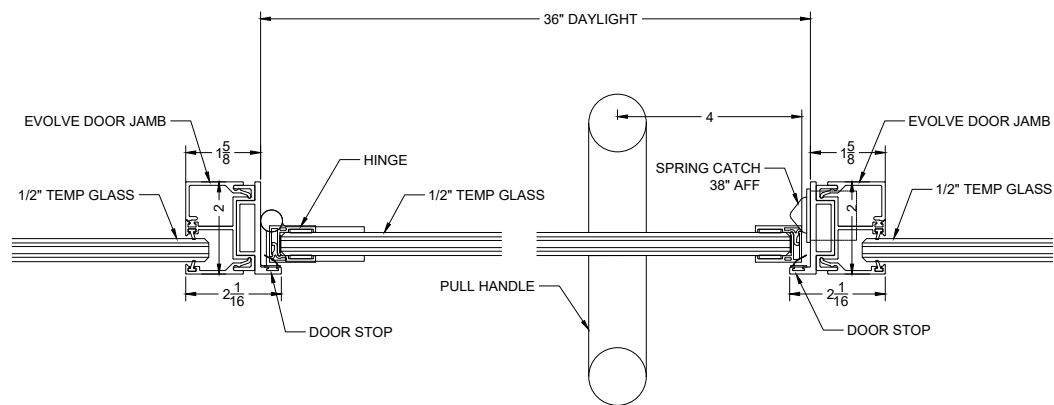
DETAIL: SINGLE GLAZED TOP TRACK



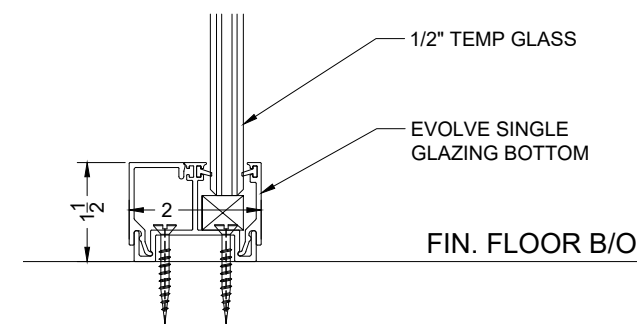
DETAIL: SINGLE GLAZED GLASS JOINT



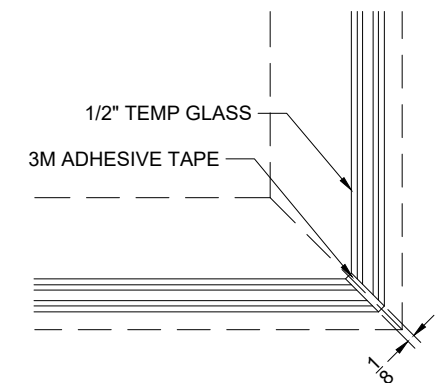
DETAIL: SINGLE GLAZED GLASS TO GLASS JOINT



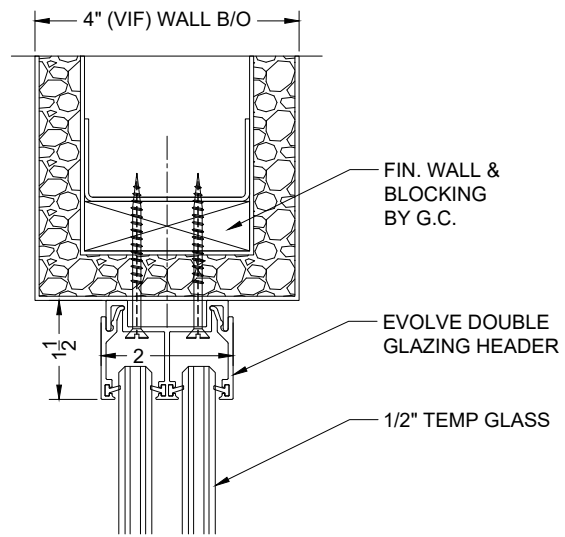
DETAIL: HINGED FRAMED GLASS DOOR WITH LADDER PULL + JAMB



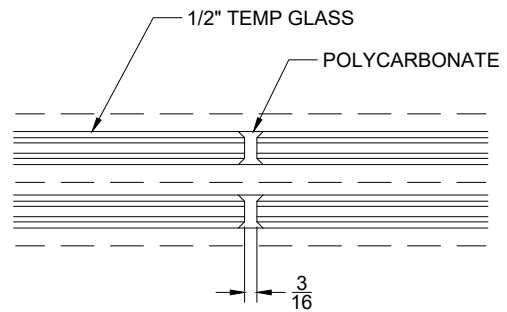
DETAIL: SINGLE GLAZED BOTTOM TRACK



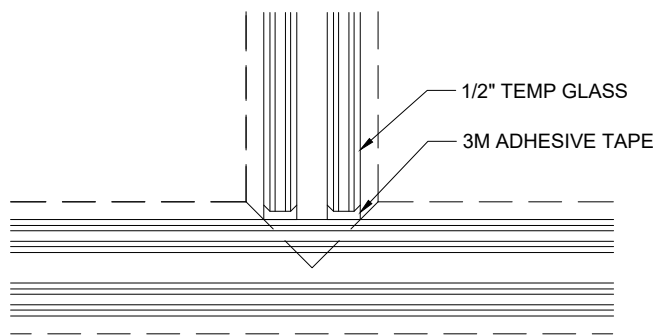
DETAIL: SINGLE GLAZED GLASS RETURN



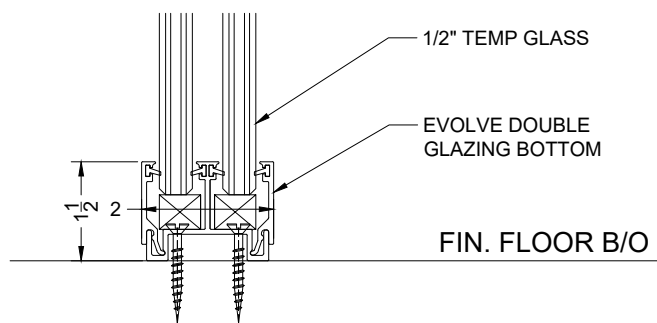
DETAIL: DOUBLE GLAZED TOP TRACK



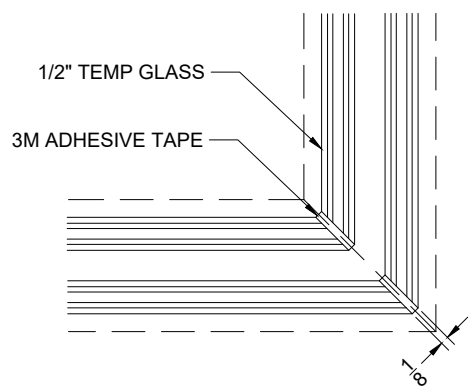
DETAIL: DOUBLE GLAZED GLASS JOINT



DETAIL: DOUBLE GLAZED GLASS TO GLASS JOINT

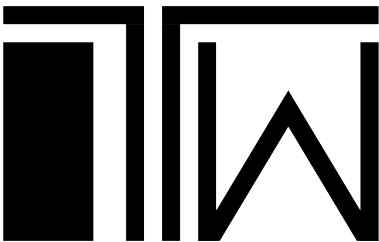


DETAIL: DOUBLE GLAZED BOTTOM TRACK



DETAIL: DOUBLE GLAZED GLASS RETURN





321 West 44th Street, Suite 200
New York, NY 10036
+1 212-354-9255
info@tagwall.com